

### GENERAL

FLUID : air or neutral gas, filtered, lubricated or not  
 PRESSURE : 2 to 10 bar (Pilot 190)  
 : 2 to 12 bar (Pilot 192)  
 MAX. ALLOW. TEMPERATURE : - 10 °C ; + 60 °C  
 FLOW (Qv at 6 bar) : see table below  
 PILOT PRESSURE : In external supply, the pressure of the pilot fluid **must be at least** equal to the fluid pressure

### CONSTRUCTION

**Series 284**  
 Body : die-casting zinc alloy  
 Sealing : nitrile (NBR)  
 and polyurethane (PUR)  
 Internal parts : light alloy  
 and acetal resin (POM)

**Series 285/286**  
 Body and internal parts : light alloy  
 Sealing : nitrile (NBR)



### ELECTRICAL CHARACTERISTICS OF PILOTS

Type of sol. valve	Voltages		Consumption		Insulation class	Protection degree	Electrical connection
	~	=	Inrush	Hold			
Series 190	~	24V-48V-115V-230V - 50 Hz	9 VA	4 VA (3 W)	F	IP 65	Connector ISO 4400 rotatable x 90° - CM 10 (Pg 11P) <b>with simplified connections</b>
	=	12V-24V-48V-115 V	3 W				
Series 192	~	24V-115V-230V - 50 Hz	12 VA	6 VA (4 W)	F	IP 65	
	=	24V	5 W				

The solenoid valve 190 is dual voltage (24 V~, 12 V=) (48V~, 24V=) (115 V~, 48 V=) (230 V~, 115 V=)

### CHOICE OF EQUIPMENT

FUNCTION NC Normally closed at rest					Manual override : ▼ : impulse		2 CODES		Connecteur type	Reference
Port Ø		Orifice Ø (mm)	Flow		VALVE	+	PILOT			
1 and 2	3		at 6 bar l/min (ANR)	Coeff. KV						
G 3/8	G 1/2	12	4500	64	28490040 28490041 28590238 28590239 28690025* 28690026*	+	19000022	with connector (LED)	-	
G 1/2	G 1/2	15	6000	85			19000046		with M12 connection	-
G 3/4	G 1	26	12500	180			19000018	without connector	G/DH 304/O	
G 1	G 1	26	12500	180			19200085	with connector (LED)	G/DH 305/O	
G 1 1/4	G 1 1/2	40	35000	500			19260079	with M12 connection	GDM/DH 306/O	
G 1 1/2	G 1 1/2	40	35000	500			19200030	without connector	GDM/DH 307/O	

FUNCTION NO Normally open at rest					Manual override : ▼ : impulse		2 CODES		Connecteur type	Reference
Port Ø		Orifice Ø (mm)	Flow		VALVE	+	PILOT			
1 and 2	3		at 6 bar l/min (ANR)	Coeff. KV						
G 3/8	G 1/2	12	4500	64	28490042 28490043 28590240 28590241 28690027* 28690028*	+	19000022	with connector (LED)	-	
G 1/2	G 1/2	15	6000	85			19000046		with M12 connection	-
G 3/4	G 1	26	12500	180			19000018	without connector	G/DH 304/F	
G 1	G 1	26	12500	180			19200085	with connector (LED)	G/DH 305/F	
G 1 1/4	G 1 1/2	40	35000	500			19260079	with M12 connection	GDM/DH 306/F	
G 1 1/2	G 1 1/2	40	35000	500			19200030	without connector	GDM/DH 307/F	

\*This equipment is always supplied with an intermediate amplifier for valves 3/2 - Ø 8 mm, Series 261 (26190067)

**OPTIONS** : see overleaf

## OPTIONS

- Other voltages or 60Hz frequency on request
- Applications as a valve 2/2 (NC or NO), 3/2 with an amplifier, 3/2 or with pressure selection (can be used with vacuum - cat no. **28490027**)
- Solenoid pilot 192 with solenoid head for dusty explosive atmospheres (**DU**), zone 22
- Solenoid valve, intrinsically safe "I" (consult us).
- Connector with cable outlet, 2 m long : cat no. **88122612**
- Connector with transil protection (see "Coils and Accessories" section)
- Solenoid valve with connector and built-in visual indicator and protection :

Solenoid valve **without** connector ——— + ——— Connector with built-in visual indicator and RC protection

Type of solenoid valve	(M)	CODE of solenoid valve without connector
190 NC	×	<b>19000013</b>
	●	<b>19000014</b>
	▼	<b>19000018</b>
192 NC (1)	×	<b>19200022</b>
	●	<b>19200023</b>
	▼	<b>19200024</b>

CODES			
24 V (~/=)	48 V (~/=)	115 V (~/=)	230 V (~/=)
<b>88122603</b>	<b>88122604</b>	<b>88122605</b>	<b>88122608</b>

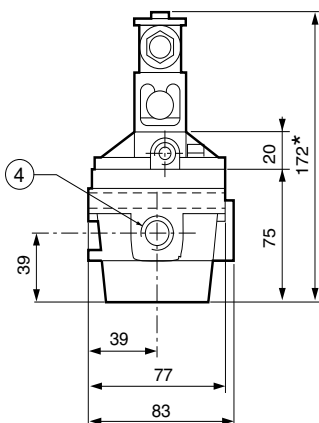
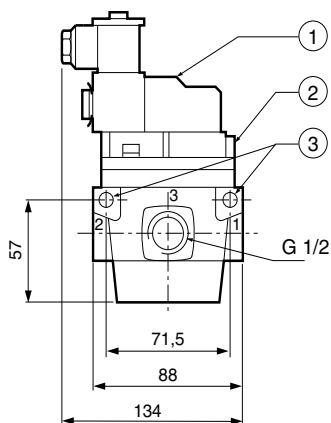
(M) Type of manual override on pilot(s) : × : without ● : screw ▼ : impulse

(1) Solenoid valve series 192 - 3/2 NC - Ø 2.1mm with exhaust in subbase

## DIMENSIONS AND WEIGHTS

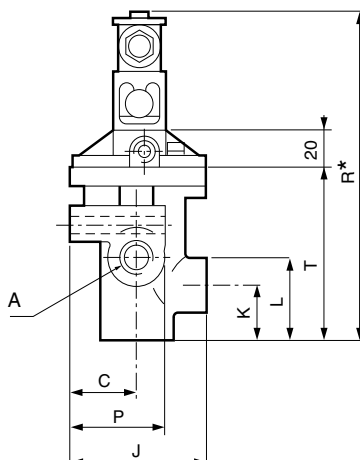
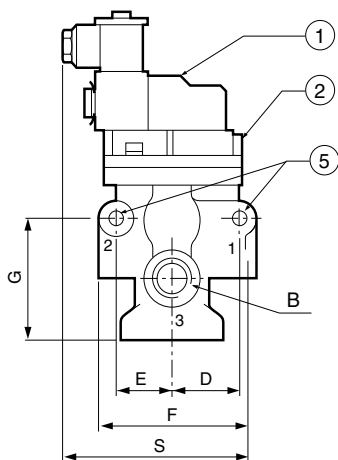
### VALVE Series 284

Weight : 1.700 Kg



- ① Manual override
  - ② Orifice G 1/8 for external supply
  - ③ Side mounting : 2 Ø 9
  - ④ 2 Ø G 3/8 or G 1/2
  - ⑤ Side mounting : 2 Ø N
- \* + 15 mm for plug removal

### VALVE Series 285 - 286



Orifices 1 & 2 Ø A	Orifices 3 Ø B	C	D	E	F	G	J	K NC NO	L	ØN	P	R	S	T	⚖ (kg)
G 3/4 G 1	G1	39	43,5	39	113	91	92	88 45	67	9	62	223	149	126	1,450
G 1 1/4 G 1 1/2	G1 1/2	46	66,5	52	165	130	124	124 64	94	13	78	333	176	207	4,150