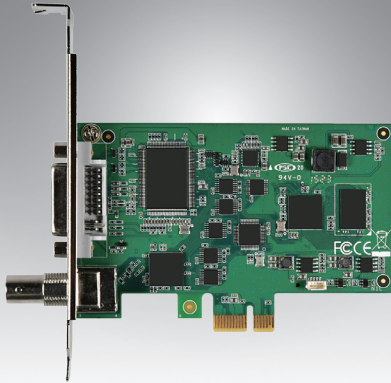


# DVP-7611HE

## 1-ch Full HD H.264 PCIe Video Capture Card with SDK

NEW



### Features

- 1-channel SDI/HDMI/DVI-D/DVI-A/YpPr video input with H.264 hardware compression and dual streaming
- 30/25 fps (NTSC/PAL) at up to 1080p resolution for recording
- PCIe x1 host interface
- Low Profile size
- Windows/Linux OS and SDK supported

CE FCC 

### Introduction

DVP-7611HE is a PCIe-bus, hardware compression video capture card with 1 channel of SDI/HDMI/DVI-D/DVI-A/YpPr/S-Video/Composite and 1 audio input. DVP-7611HE supports H.264 compression format at up to Full HD 1080p for each channel. With an easy-to-use software development kit (SDK) and flexibility to stack multiple cards, DVP-7611HE is an ideal solution for various video capture applications or video surveillance.

### Specifications

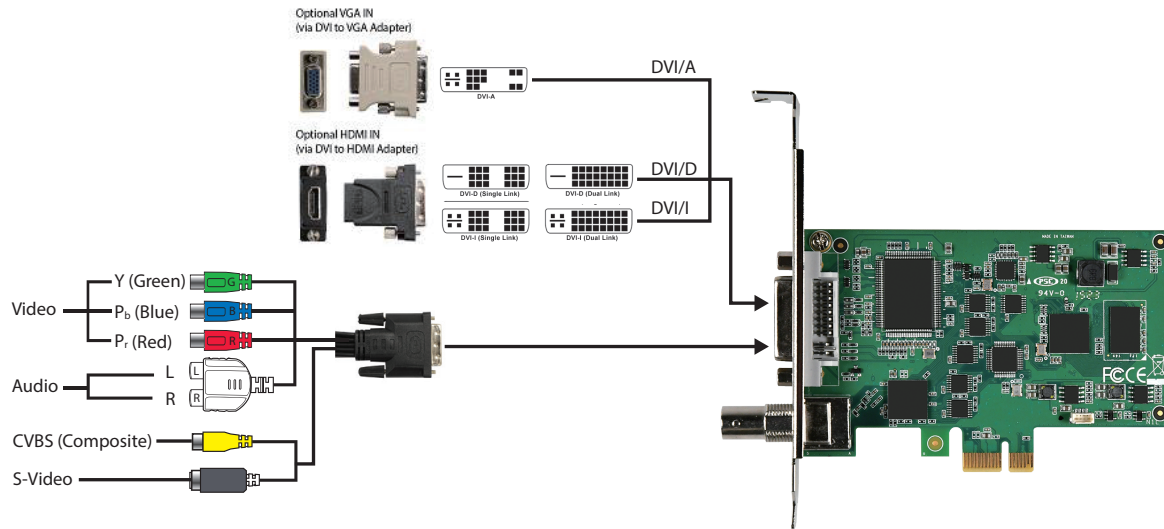
Video	Video Input	1 x SDI/HDMI/DVI-D/DVI-A/YpPr/S-Video/Composite
	Compression	H/W H.264
	Video Input	1920 x 1080 @ 60/50 fps
	Video Output	1920 x 1080 @ 30/25 fps
Audio	Audio Input	1x SDI, 1x HDMI, 2 x RCA
	Format	STEREO/16 bits/32000~48000 Hz
Physical Characteristics	Host Interface	PCIe x1
	Operating Temperature	-20 ~ 70° C (-4 ~ 158° F)
	Storing Temperature	-40 ~ 85° C (-40 ~ 185° F)
	Dimensions	145 x 69 mm (5.71" x 2.72"), Low Profile size
	Safety	CE/FCC

### Versatile SDK Support (Windows / Linux)

Advantech provides software development kit (SDK), a set of development tools that allows a software engineer to integrate video capture modules into different types of system. Functions include video recording, playback and instant preview.

- Software Library
- SDK Manual
- Sample Program

## Connection Diagram



## Ordering Information

Part Number	Description
DVP-7611HE	1-ch Full HD H.264 PCIe Video Capture Card with SDK

## Packing List

Item	Amount
DVP-7611HE Capture Card	1 (piece)
DVI to YPbPr / S-Video / AV cable	1 (piece)