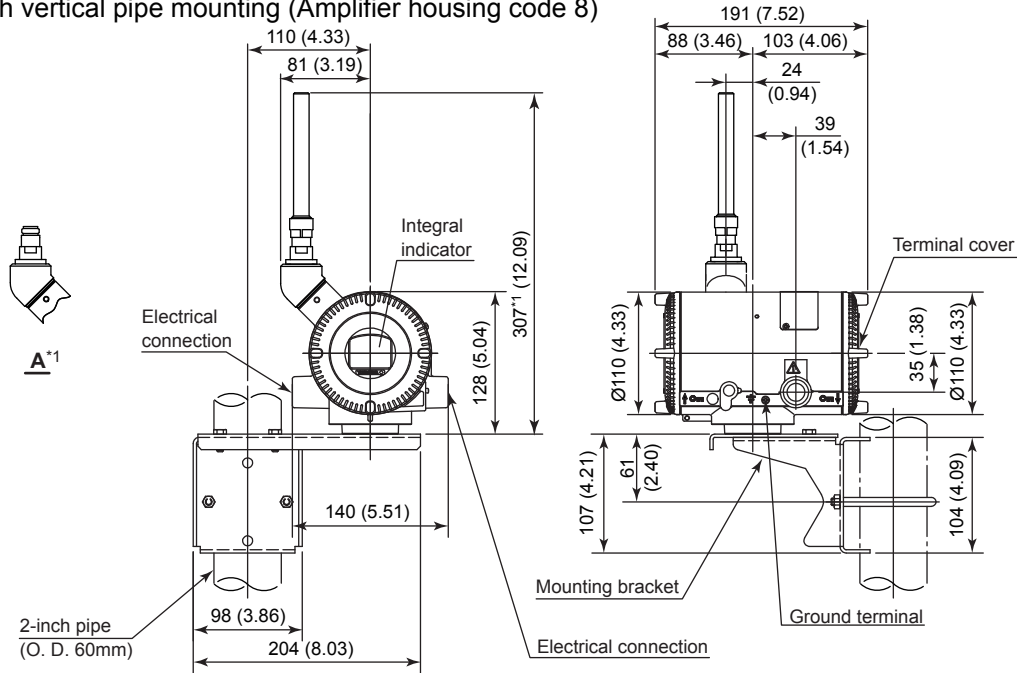


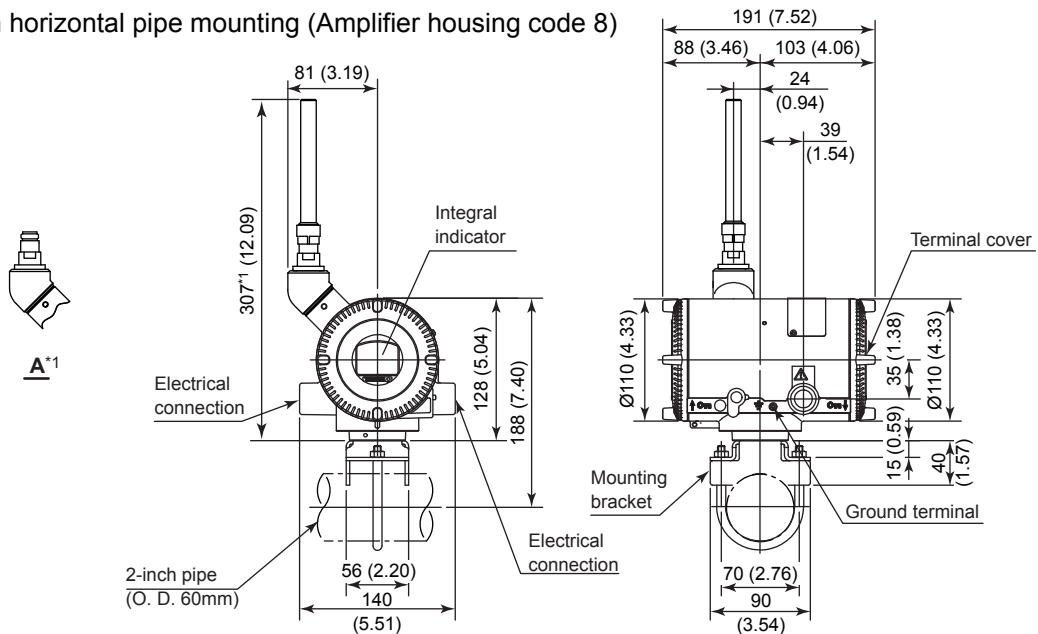
SD 01C50E01-01EN

Unit: mm (approx. inch)

● 2-inch vertical pipe mounting (Amplifier housing code 8)

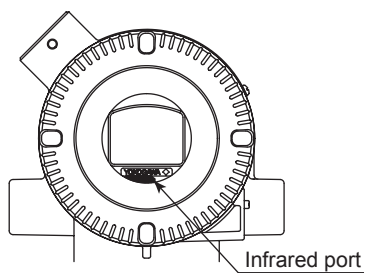


● 2-inch horizontal pipe mounting (Amplifier housing code 8)



*1: When amplifier housing code 9 is selected, the value is 187 mm (7.36 inch).
In this case, the figure is shown as A.

- Infrared Configuration



- Terminal Configuration

