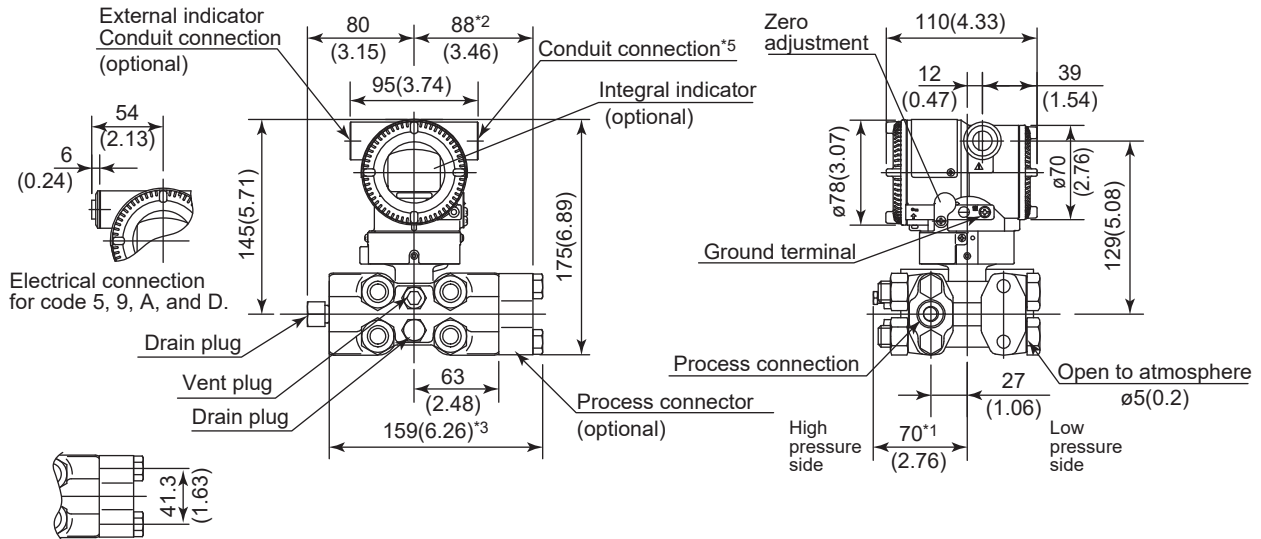


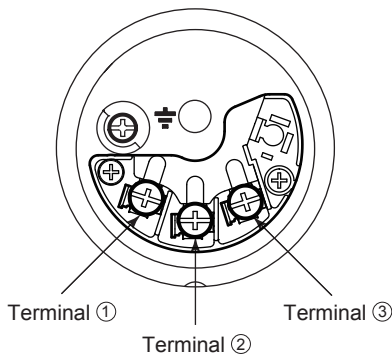
Unit: mm (approx. inch)

● Universal Flange (Installation code U)



- \*1: When Option code K1, K2, K5, K6, K41, K42, K45, or K46 is selected, add 15 mm(0.59 inch) to the value.
- \*2: 87 mm(3.43 inch) for capsule code D.
- \*3: 157 mm(6.18 inch) for capsule code D.
- \*4: When electrical connection code 7 or C is selected, a blind plug is protruded up to 8 mm from the conduit connection.
- \*5: When option code PP is selected, a blind plug is attached to the conduit connection on both sides.

● Terminal Configuration



● Terminal Wiring for 4 to 20 mA output, FOUNDATION Fieldbus and PROFIBUS PA communication types

SUPPLY	+	①	] Power supply and output terminals
	-	②	
CHECK	+	③	] External indicator (ammeter) terminals*1*2
	-	②	
		⏏	Ground terminal

- \*1: When using an external indicator or check meter, the internal resistance must be 10 Ω or less.
- \*2: Not available for FOUNDATION Fieldbus and PROFIBUS PA communication types.

● Terminal Wiring for 1 to 5 V output

SUPPLY	+	①	] Power supply terminals
	-	②	
VOUT	+	③	] 1 to 5 V DC with HART communication terminals
	-	②	
		⏏	Ground terminal

Three or four wire connection. For four wire connection, both supply and signal lines use SUPPLY - terminal.