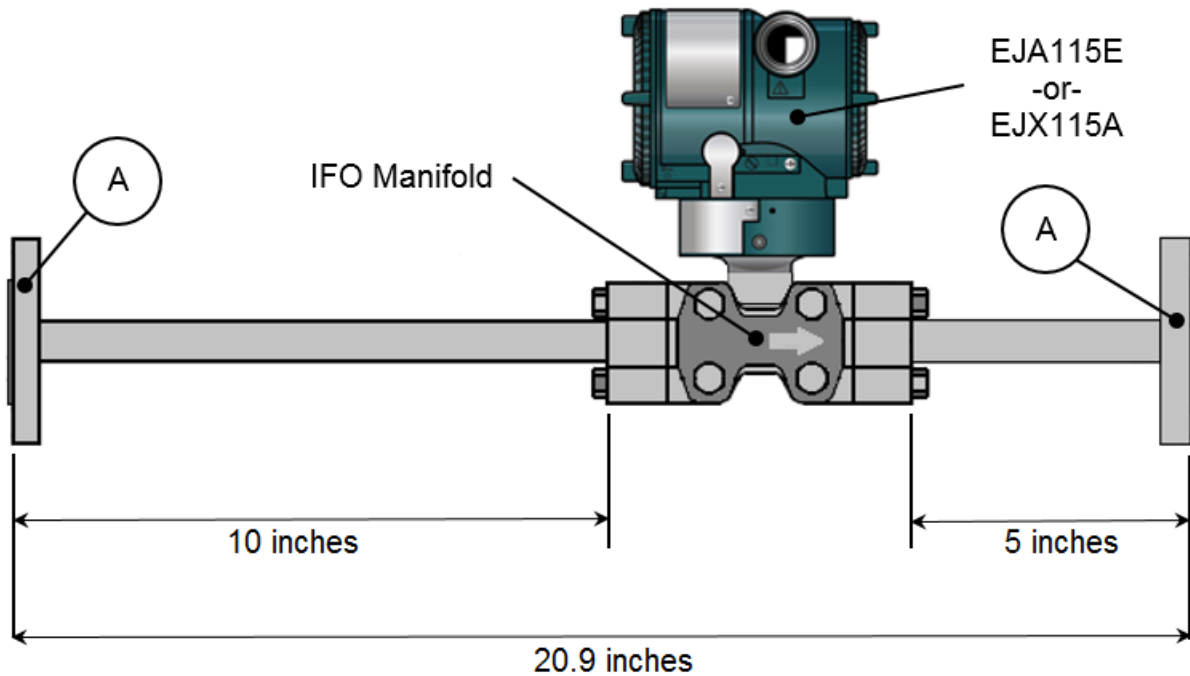


Product Data Sheet

EJA115E or EJX115A
With Integral Piping

PDS-003



A

Size	Flange	
	ANSI Class	Part Number
1/2 inch	150	M1244DE-01
	300	M1244DE-02
1 inch	150	M1244DE-03
	300	M1244DE-04
1-1/2 inch	150	M1244DE-05
	300	M1244DE-06
2 inch	150	M1244DE-07
	300	M1244DE-08
3 inch	150	M1244DE-09
	300	M1244DE-10

Transmitter is sold separately.