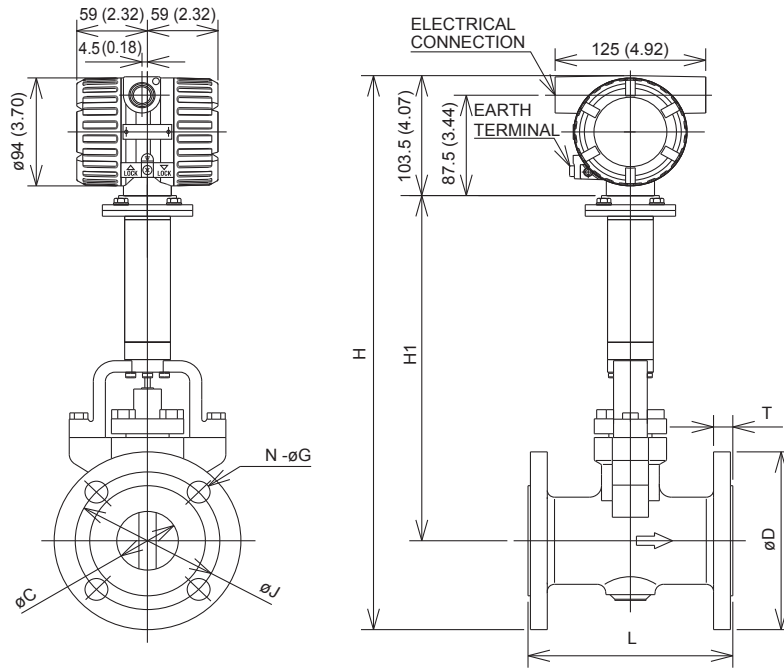


Drawings

digitalYEWFLO Series Vortex Flowmeter High Process Temperature Version (/HT) and Cryogenic Version (/LT)
Remote, Flange
[DY015, DY025, DY040, DY050, DY80, DY100]

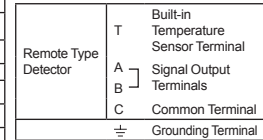
SD 01F06A00-05EN

Unit : mm
(approx. inch)

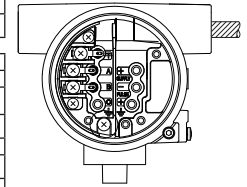


TYPE	REMOTE																			
MODEL CODE	DY015/LT									DY025/LT, DY025/HT										
PROCESS CONNECTION	BJ1	BJ2	BJ4	BA1 BS1	BA2 BS2	BA4 BS4	BA5 BS5	BD1 to BD4	CA4	CA5	BJ1	BJ2	BJ4	BA1 BS1	BA2 BS2	BA4 BS4	BA5 BS5	BD1 to BD4	CA4	CA5
L	130 (5.12)									150 (5.91)										
C	14.6 (0.57)									25.7 (1.01)										
D	95 (3.74)	95 (3.74)	115 (4.53)	88.9 (3.50)	95.3 (3.75)	95.3 (3.75)	120.7 (4.75)	95 (3.74)	120.7 (4.75)	125 (4.92)	125 (4.92)	130 (5.12)	108 (4.25)	124 (4.88)	124 (4.88)	149.4 (5.88)	115 (4.53)	124 (4.88)	149.4 (5.88)	
H	421 (16.57)	421 (16.57)	431 (16.97)	418 (16.46)	421 (16.57)	421 (16.57)	434 (16.57)	421 (16.57)	434 (16.57)	438 (17.24)	438 (17.24)	441 (17.36)	430 (16.93)	438 (17.24)	438 (17.24)	450 (17.72)	433 (17.05)	438 (17.24)	450 (17.72)	
H1	270 (10.63)									272 (10.71)										
T	12 (0.47)	14 (0.55)	20 (0.79)	11.2 (0.44)	14.2 (0.56)	21 (0.83)	28.8 (1.13)	16 (0.63)	19.9 (0.78)	14 (0.55)	14 (0.55)	22 (0.87)	17.5 (0.69)	17.5 (0.69)	24 (0.94)	34.9 (1.37)	18 (0.71)	24 (0.94)	34.9 (1.37)	
J	70 (2.76)	70 (2.76)	80 (3.15)	60.5 (2.38)	66.5 (2.62)	66.5 (2.62)	82.6 (3.25)	65 (2.56)	66.5 (2.62)	82.6 (3.25)	90 (3.54)	90 (3.54)	95 (3.74)	79.2 (3.12)	89 (3.50)	89 (3.50)	101.6 (4.00)	89 (3.50)	101.6 (4.00)	
N	4									4										
G	15 (0.59)	15 (0.59)	19 (0.75)	15.7 (0.62)	15.7 (0.62)	22.4 (0.88)	14 (0.55)	14 (0.55)	22.4 (0.88)	15 (0.59)	19 (0.75)	19 (0.75)	15.7 (0.62)	15.7 (0.62)	25.4 (1.00)	14 (0.55)	19 (0.75)	25.4 (1.00)	25.4 (1.00)	
WEIGHT kg (lb)	4.6 (10.14)	4.7 (10.36)	6.3 (13.89)	4.5 (9.92)	4.7 (10.36)	5 (11.03)	7.1 (15.66)	4.6 (10.14)	4.6 (10.14)	7.2 (15.88)	7.3 (16.1)	7.5 (16.54)	9 (19.85)	7 (15.44)	7 (16.76)	8.1 (17.86)	11.5 (25.36)	8.3 (18.3)	11.8 (26.02)	

Terminal Wiring



* Use DYC signal cable for remote type.
* T is used for /MV only.



Remote type

TYPE	REMOTE																			
MODEL CODE	DY040/LT, DY040/HT									DY050/LT, DY050/HT										
PROCESS CONNECTION	BJ1	BJ2	BJ4	BA1 BS1	BA2 BS2	BA4 BS4	BA5 BS5	BD1 to BD4	CA4	CA5	BJ1	BJ2	BJ4	BA1 BS1	BA2 BS2	BA4 BS4	BA5 BS5	BD1 to BD4	CA4	CA5
L	150 (5.91)									170 (6.69)										
C	39.7 (1.56)									51.1 (2.01)										
D	140 (5.51)	140 (5.51)	160 (6.30)	127 (5.00)	155.4 (6.12)	155.4 (6.12)	177.8 (7.00)	150 (5.91)	155.4 (6.12)	177.8 (7.00)	155 (6.10)	155 (6.10)	165 (6.50)	152.4 (6.00)	165.1 (6.50)	165.1 (6.50)	185 (7.30)	165 (6.50)	165.1 (6.50)	215.9 (8.50)
H	453 (17.83)	453 (17.83)	463 (18.23)	446 (17.56)	460 (18.11)	460 (18.11)	472 (18.58)	458 (18.03)	460 (18.11)	472 (18.58)	482 (18.98)	482 (18.98)	481 (19.17)	481 (19.17)	487 (19.17)	487 (19.17)	513 (20.20)	487 (19.17)	487 (19.17)	513 (20.20)
H1	279 (10.98)									301 (11.85)										
T	16 (0.63)	18 (0.71)	26 (1.02)	17.5 (0.69)	20.6 (0.81)	28.8 (1.13)	38.2 (1.50)	18 (0.71)	28.8 (1.13)	38.2 (1.50)	16 (0.63)	16 (0.63)	26 (1.02)	19.1 (0.75)	22.4 (0.88)	22.4 (0.88)	31.8 (1.25)	20 (0.79)	20 (0.79)	33.3 (1.31)
J	105 (4.13)	105 (4.13)	120 (4.72)	98.6 (3.88)	114.3 (4.50)	114.3 (4.50)	124 (4.88)	110 (4.33)	114.3 (4.50)	124 (4.88)	120 (4.72)	120 (4.72)	130 (5.12)	120.7 (4.75)	127 (5.00)	127 (5.00)	166.1 (6.50)	125 (4.92)	127 (5.00)	166.1 (6.50)
N	4									4										
G	19 (0.75)	19 (0.75)	23 (0.91)	15.7 (0.62)	15.7 (0.62)	22.4 (0.88)	18 (0.71)	18 (0.71)	22.4 (0.88)	18 (0.71)	19 (0.75)	19 (0.75)	15.7 (0.62)	15.7 (0.62)	25.4 (1.00)	19 (0.75)	25.4 (1.00)	25.4 (1.00)	25.4 (1.00)	25.4 (1.00)
WEIGHT kg (lb)	8.6 (18.96)	8.8 (19.4)	12.3 (27.12)	8.5 (18.74)	9.7 (21.39)	9.7 (21.39)	11.7 (25.8)	9.2 (20.29)	9.2 (20.29)	11.5 (25.36)	12 (26.46)	14.7 (32.42)	12.1 (26.68)	13.6 (29.99)	15.2 (33.52)	16.9 (37.25)	26.9 (59.32)	11.7 (25.8)	11.7 (25.8)	27.3 (60.2)

TYPE	REMOTE																							
MODEL CODE	DY080/LT, DY080/HT									DY100/LT, DY100/HT														
PROCESS CONNECTION	BJ1	BJ2	BJ4	BA1 BS1	BA2 BS2	BA4 BS4	BA5 BS5	BD1 to BD2	BD3 to BD4	CA4	CA5	BJ1	BJ2	BJ4	BA1 BS1	BA2 BS2	BA4 BS4	BA5 BS5	BD1 to BD2	BD3 to BD4	CA4	CA5		
L	200 (7.87)									220 (8.66)														
C	71 (2.80)									93.8 (3.69)														
D	185 (7.29)	200 (7.87)	210 (8.27)	190.5 (7.50)	209.6 (8.25)	209.6 (8.25)	241.3 (9.50)	200 (7.87)	200 (7.87)	209.6 (8.25)	241.3 (9.50)	210 (8.27)	225 (8.86)	225 (8.86)	250 (9.84)	228.6 (9.00)	254 (10.00)	273 (10.75)	292.1 (11.50)	220 (8.66)	235 (9.25)	273 (10.75)	292.1 (11.50)	
H	514 (20.24)	522 (20.55)	527 (20.75)	517 (20.35)	527 (20.75)	527 (20.75)	542 (21.34)	522 (20.55)	522 (20.55)	522 (20.55)	527 (20.75)	542 (21.34)	542 (21.34)	549 (21.61)	552 (21.73)	564 (22.20)	564 (22.56)	573 (22.56)	583 (22.95)	547 (21.54)	547 (21.54)	554 (21.81)	573 (22.56)	583 (22.95)
H1	318 (12.52)									333 (13.11)														
T	18 (0.71)	22 (0.87)	32 (1.26)	23.9 (0.94)	28.4 (1.12)	38.2 (1.50)	44.5 (1.75)	20 (0.79)	24 (0.94)	39.7 (1.56)	46 (1.81)	18 (0.71)	24 (0.94)	36 (1.42)	23.9 (0.94)	31.8 (1.25)	44.5 (1.75)	50.9 (2.00)	20 (0.79)	20 (0.79)	24 (0.94)	46 (1.81)	52.4 (2.06)	
J	150 (5.91)	160 (6.30)	170 (6.69)	152.4 (6.00)	168.2 (6.62)	168.2 (6.62)	190.5 (7.50)	160 (6.30)	160 (6.30)	168.2 (6.62)	190.5 (7.50)	175 (6.89)	185 (7.29)	205 (8.07)	190.5 (7.50)	200.2 (7.88)	216 (8.50)	235 (9.25)	180 (7.09)	180 (7.09)	190 (7.48)	216 (9.25)	235 (9.25)	
N	8									8														
G	19 (0.75)	23 (0.91)	23 (0.91)	19 (0.75)	22.4 (0.88)	22.4 (0.88)	25.4 (1.00)	18 (0.71)	18 (0.71)	22.4 (0.88)	25.4 (1.00)	19 (0.75)	23 (0.91)	25 (0.98)	19 (0.75)	22.4 (0.88)	25.4 (1.00)	31.8 (1.25)	18 (0.71)	18 (0.71)	22 (0.87)	25.4 (1.00)	31.8 (1.25)	
WEIGHT kg (lb)	17.8 (39.25)	20.4 (44.98)	25.8 (56.89)	20.4 (44.98)	24.2 (53.36)	24.2 (53.36)	28.8 (63.6)	19.8 (43.66)	19.8 (43.66)	24.2 (53.36)	27.5 (60.62)	23.2 (51.16)	27.2 (59.98)	38.5 (84.89)	27.7 (61.1)	36.3 (80.04)	51.2 (112.9)	56.3 (124.14)	23.6 (52.04)	23.6 (52.04)	27.8 (61.3)	53.2 (117.31)	57 (125.69)	

(Note 1) The flow direction is opposite (right to left when facing onto indicator) in case of code/CRC.