

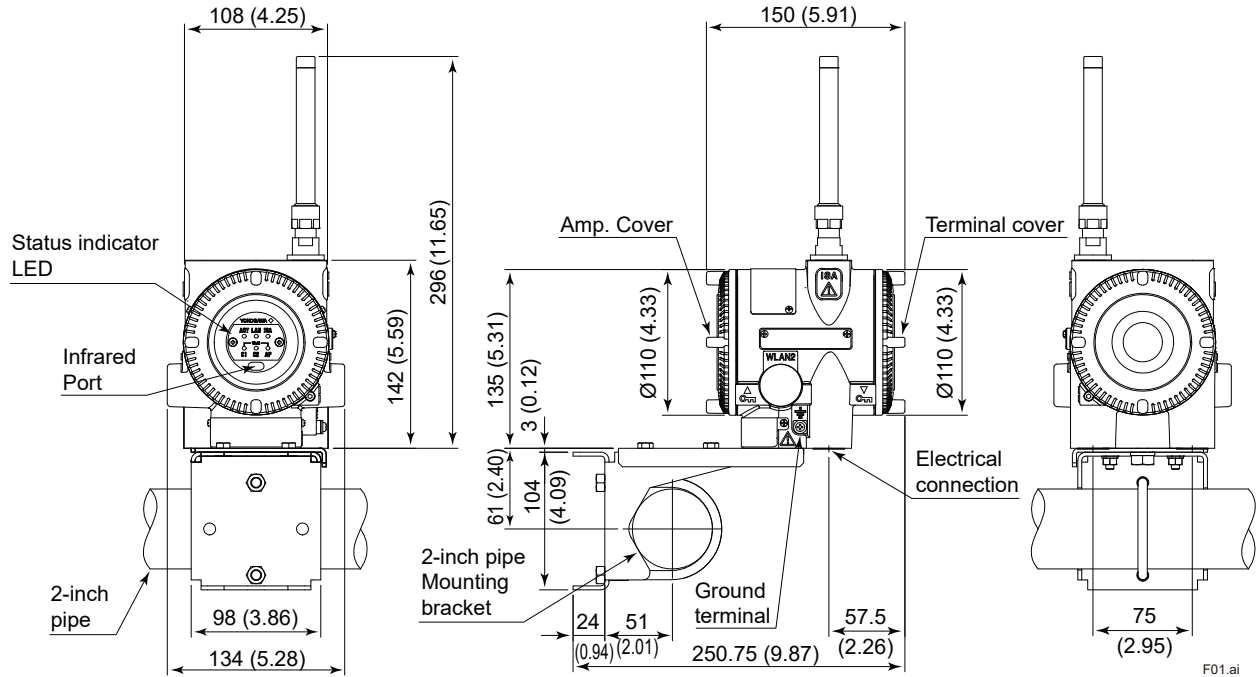
Drawings

YFGW520 Field Wireless Access Point

SD 01W02E02-01EN

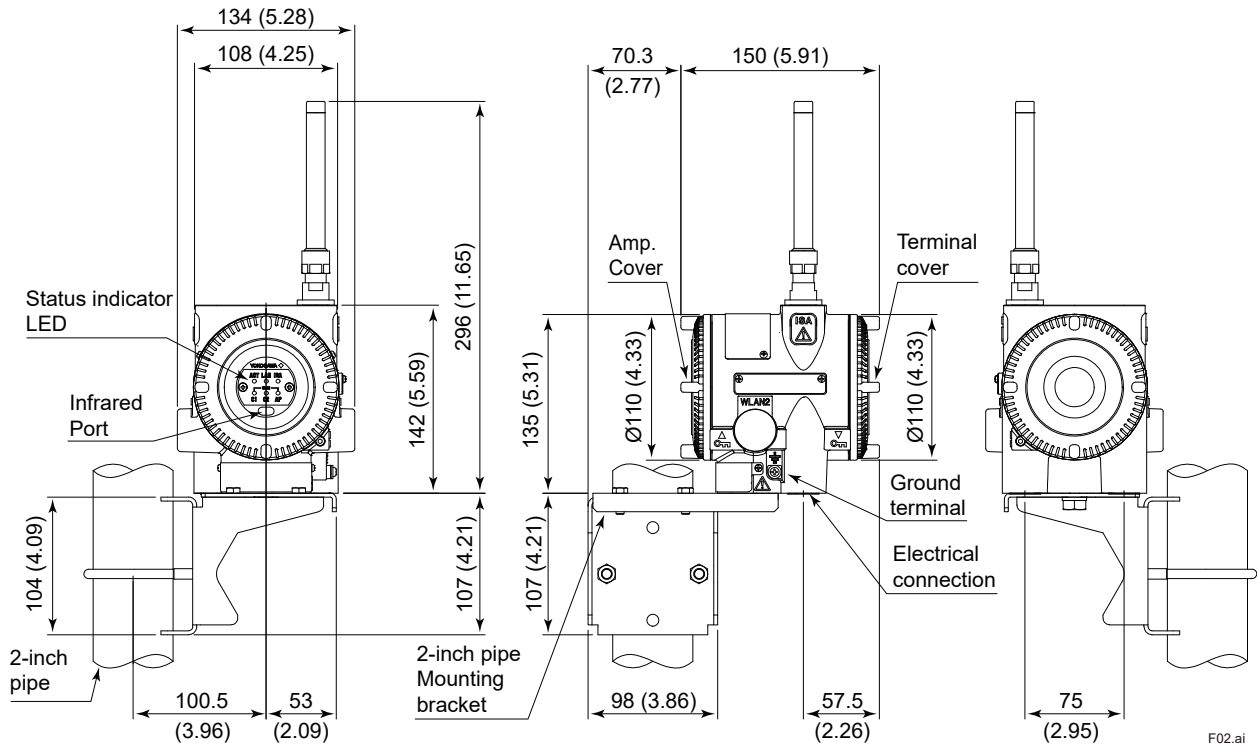
■ 2-inch pipe mounting (for horizontal piping)

Unit: mm (approx. inch)



F01.ai

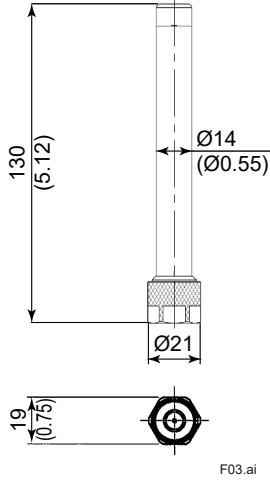
■ 2-inch pipe mounting (for vertical piping)



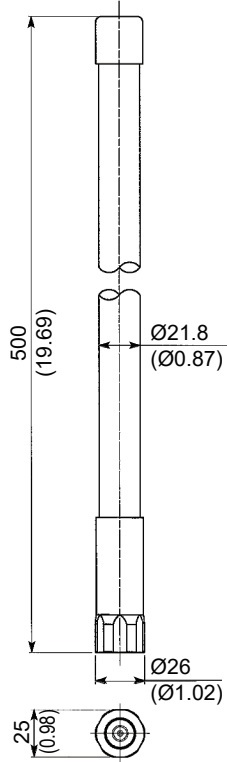
F02.ai

■ Antenna

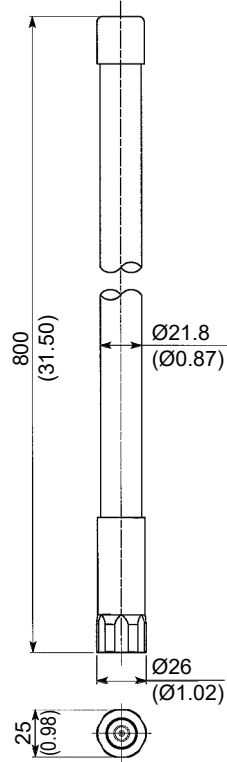
- Standard Antenna (F9915KW)
Directional: Non-directional
Gain: 2 dBi



- High gain antenna (F9915KY)
Directional: Non-directional
Gain: 6 dBi

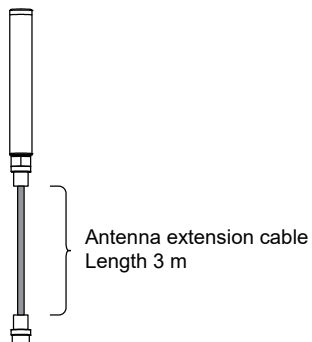


- High gain antenna (F9195VG)
Directional: Non-directional
Gain: 9 dBi

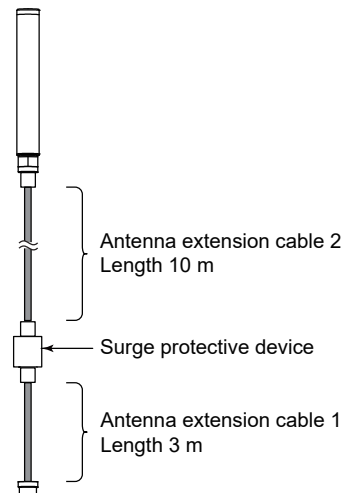


■ Remote antenna cable

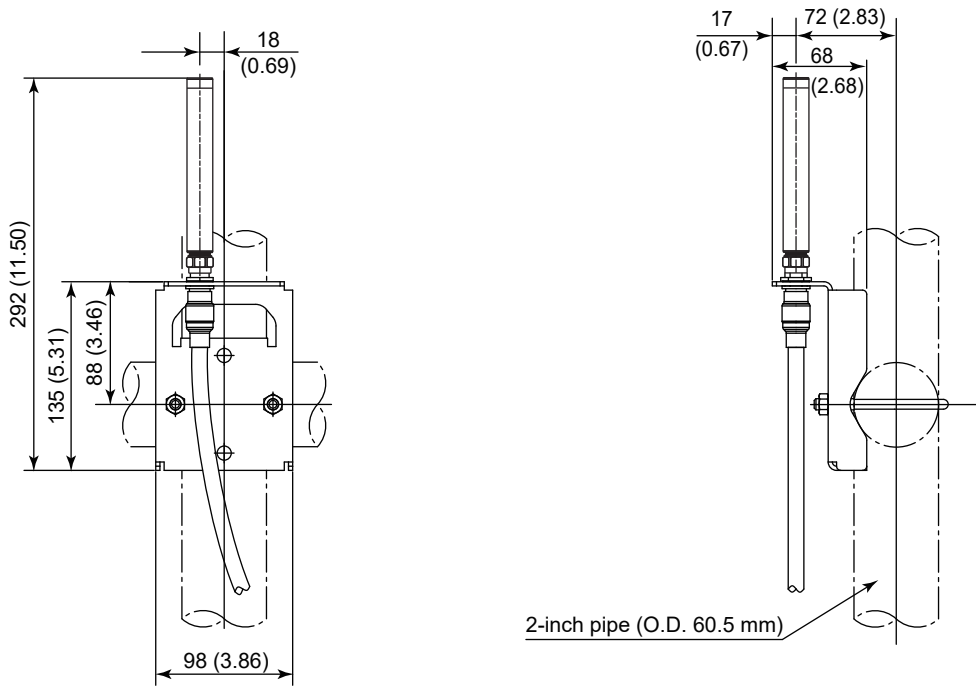
- Cable 3 m



- Cable 13 m

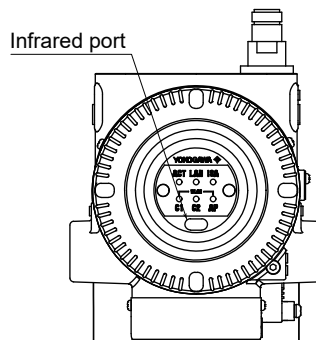


■ Antenna mounting bracket



F08.ai

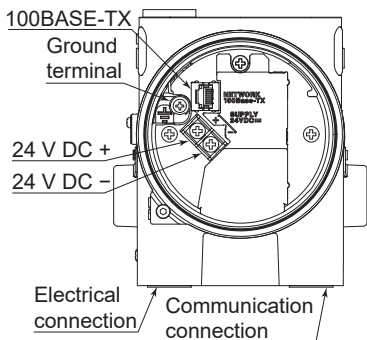
■ INFRARED CONFIGURATION



F09.ai

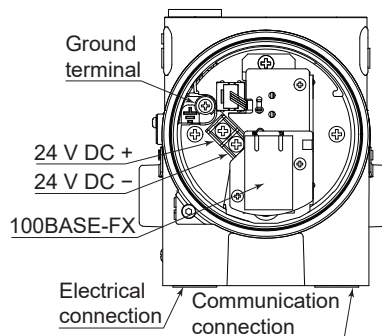
■ TERMINAL CONFIGURATIONS

■ Communication Interface Code: 1



F10.ai

■ Communication Interface Code: 2, 6



F11.ai