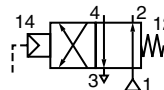


# POPPET VALVES

pressure operated, poppet type  
light alloy body, subbase-mounted body  
G 1/2 to G 1 1/2 subbases



**4/2**  
Series  
**266-267-268**  
Type  
**DP**

## GENERAL

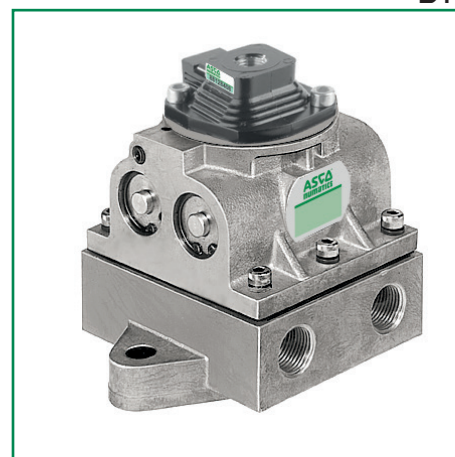
**Operating pressure** 2 to 16 bar [1 bar =100 kPa]  
**Pilot fluid** Filtered air  
**Flow (Qv at 6 bar)** See «SPECIFICATIONS»  
**Pilot fluid temperature** -10°C to +60°C

fluids (*)	temperature range (TS)	seal materials (*)
air, inert gas, filtered, lubricated or not	-10°C to +60°C	NBR (nitrile)

## MATERIALS IN CONTACT WITH FLUID

(\*) Ensure that the compatibility of the fluids in contact with the materials is verified

**Body** Light alloy  
**Internal parts** Steel, light alloy  
**Seals** NBR  
**Subbases** Light alloy



1 = P = Pressure  
2, 4 = A, B = Outlet  
3 = E = Exhaust

## SPECIFICATIONS

pipe size	orifice size	débit at 6 bar	flow coefficient Kv	pilot pressure (bar) <sup>(1)</sup>		operating pressure (bar)		catalogue number		
				min.	max.	min.	max. (PS) air, inert gas (*)	poppet valve	+	adaptateur commande pneumatique
(G)	(mm)	l/min (ANR)	(l/min)	min.	max.					
1/2	14	2940	42	2	16	2	16	26690003		
1	22	9100	130	2	16	2	16	26790002	+	88128408
1 1/2	40	31500	450	2	16	2	16	26890287		

<sup>(1)</sup> The pilot pressure must be equal or superior to the pressure in the valve

## SUBBASES

pipe size	valve mating surface	type of port	catalogue number	reference
<b>Single subbase</b>				
G 1/2	CNOMO 06.05.72/73 AFNOR E49062/63 <b>G 1/2</b>	perçage latéral	35700018	P/DP 403
G 1	CNOMO 06.05.74 AFNOR E49064 <b>G 1</b>	perçage latéral	35700020	P/DP 405
G 1 1/2	CNOMO 06.05.75 AFNOR E49065 <b>G 1 1/2</b>	bottom	35700032	P/DP 407
<b>Joinable subbase</b>				
G 1/2	CNOMO 06.05.72/73 AFNOR E49062/63 <b>G 1/2</b>	perçage latéral	35700038	PJ/DP 403
G 1	CNOMO 06.05.74 AFNOR E49064 <b>G 1</b>	perçage latéral	35700040	PJ/DP 405

## OPTIONS

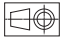
- NO valve (normally open at rest)

## INSTALLATION

- The valves can be mounted in any position without affecting operation
- The valve, air pilot unit and subbase must be ordered separately to be mounted by customer: please specify the quantity and code of each component required
- Pipe connections (G) have standard thread according to ISO 228/1

## ORDERING EXAMPLES:

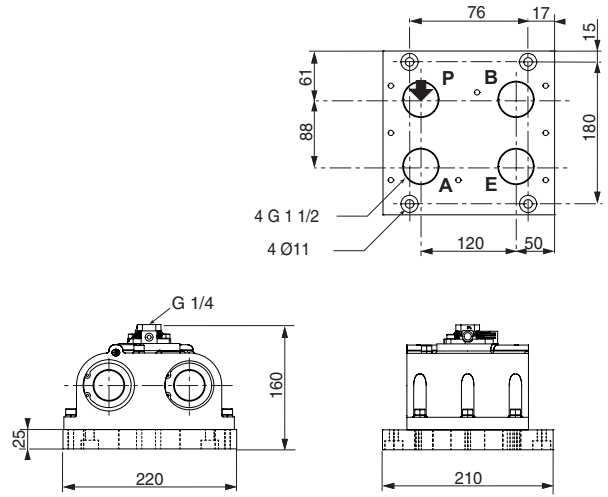
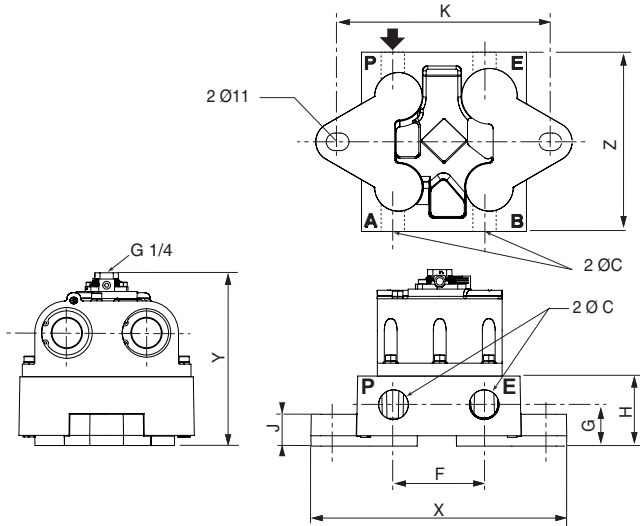
26690003	+	88128408	
26890287	+	88128408	
basic number			basic number

DIMENSIONS (mm), WEIGHT (kg) 

VALVE ON SINGLE SUBBASE

G 1/2 - G 1 (266 - 267 Series)

G 1 1/2 (268 Series)



series	ØC	F	G	H	J	K	X	Y	Z	weight
266	G 1/2	57	26	45	20	133	162	132	111	2,1
267	G 1	82	35	63	20	170	198	165	130	4,0

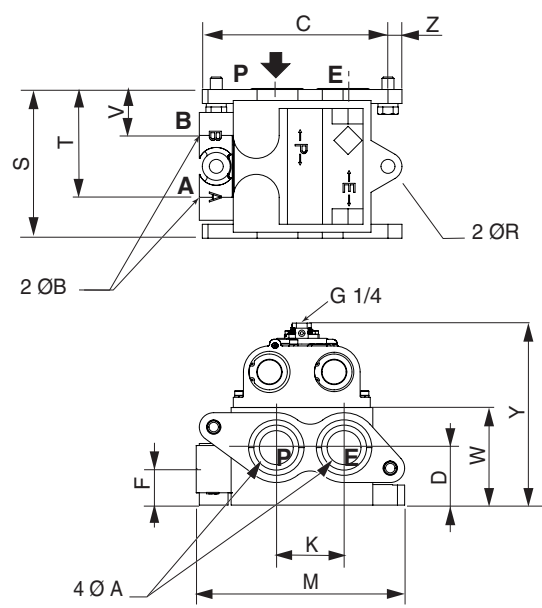
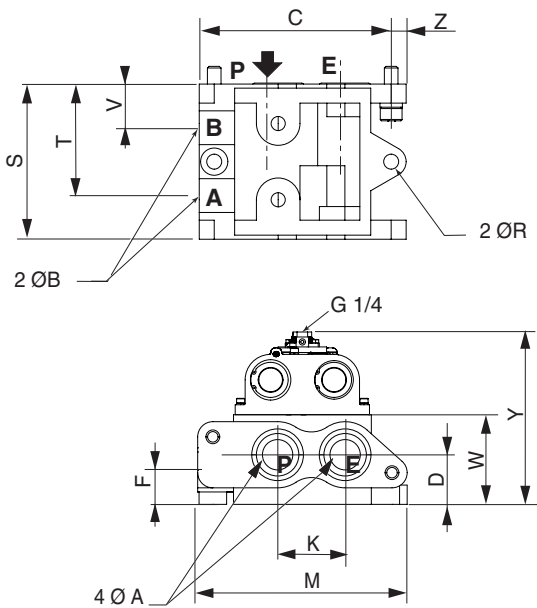
1 = P = Pressure  
2, 4 = A, B = Outlet  
3 = E = Exhaust

series	weight
268	2,6

VALVE ON JOINABLE SUBBASE

G 1/2 (266 Series)

G 1 (267 Series)



series	ØA	ØB	C	D	F	K	M	R	S	T	V	W	Y	Z	weight
266	G 3/4	G 1/2	130	36	25	49	152	11	114	85	29	65	150	11	2,6
267	G 1 1/4	G 1	172	56	37	66	203	14	149	108	45	95	195	14	5,5