

ZIRKOR200

Oxygen analyzer

Installation, operation, maintenance

SICK

Sensor Intelligence.




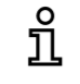




Notes concerning this Manual

This manual contains important information about the design, installation, commissioning, operation, maintenance and troubleshooting. Safe work with the ZIRKOR200 requires the users to become familiar with all warnings, safety instructions and maintenance aspects of this manual.

Symbols used in this Manual

All symbols listed beneath, attached to the analyzer or noted in this manual show important information as well as safety instructions for installation, operation and maintenance, to protect the personnel and the equipment.

	Warning Follow all instructions of this manual		Consider Information Points out important information which must be considered before execution
	Warning hot Surface Warns of danger of burns which could occur from hot system parts		Note Contains further detailed information
	Caution Warns of risks of destroying the system or its components or its functionality		Ground earth electrical protection

The content of this manual, including all written content, pictures and illustrations are protected by copyright. Alterations and errors reserved.

Safety Instructions

The ZIRKOR200 System is operated with line voltage. After removal of terminal covers some parts of this system may be accessible which are under high line voltage.

Only well trained and authorized personnel are allowed to work on this system. The personnel must know and understand all precautions, safety instructions, installation and maintenance instructions of this manual. The trouble free and safe operation of the ZIRKOR200 requires safe transportation, professional storage, installation, operation and maintenance.

Furthermore all local safety requirements at the point of installation and operation must be considered.

ZIRKOR200 may not be used to measure oxygen in combustible gases or in an environment with combustible gases. Parts of this system may cause an explosion risk.

Manufacturer

SICK AG
Erwin-Sick-Str. 1 · 79183 Waldkirch · Deutschland
Telefon: +49 7641 469-0
Fax: +49 7641 469-1149
E-Mail: info.pa@sick.de

Table of Contents

1	System Description	4	4.4	System Checks	29
1.1	System Overview	4	5	Service and Maintenance	30
1.2	Measuring Principle	6	5.1	Exchange fuses.....	30
1.3	Intended use	6	5.2	Flow rates for Test Air and Reference Air.....	31
1.4	Safety Hazards	6	5.3	Adjusting Flow Rate (integrated Pneumatics).....	31
1.5	Disruption of the Process.....	6	5.4	Position of the adjustment valves	32
1.6	Storage instructions	6	5.5	Adjusting Flow Rate (19" 4HE)	32
1.7	Name Plates	7	5.6	Replacing the probe	33
2	Installation	8	5.7	Replacing the O ₂ Sensor.....	33
2.1	Installation Requirements for Electronic Unit	8	5.8	Exchange of Probe Inner Parts	35
2.2	Installation of Probe Signal Cable	9	5.9	Relay Outputs / Functions and Correlation.....	36
2.3	Access to the Terminals	10	5.10	Digital Inputs.....	37
2.4	Ferrite Sleeves (EMC)	10	5.11	Stability Criteria for Calibration	37
2.5	Wiring Diagram of the Electronic Unit.....	11	5.12	Reaction Time of the mA Output.....	37
2.6	ZIRKOR200 Wiring diagram	12	5.13	Extension Modules.....	37
2.7	Installation of the probe	13	5.14	Maintenance Intervals	37
2.8	Mounting of the Probe	13	6	Status Messages	38
2.9	Mounting a probe with Cooling Protection Tube	14	6.1	Error Messages.....	38
2.10	Adjusting the V-Shield	14	6.2	Alarm Messages	39
2.11	Electrical Connections of the Probe	15	6.3	Maintenance Messages	39
2.12	Requirements for the Pneumatic Tube.....	15	7	Troubleshooting	40
2.13	Preparation of the pneumatic Tube	16	A	Technical Data	41
2.14	Gas plans.....	16	A.1	Technical Specifications - Electronic Unit.....	41
2.15	Pneumatic Connections of the Probe	17	A.2	Technical Specifications - Probe.....	42
2.16	Pneumatic Connections of Electronic Units	17	A.3	Gas Supply - Systems with Instrument Air.....	43
3	Initial Operation	19	B	Dimensional drawings	44
3.1	Checklist before commissioning the system	19	B.1	Dimensions of Electronic Unit Housing versions ...	44
3.2	System Power Up	19	B.2	Probe Dimensions	45
3.3	Display - Probe Heating Phase	19	B.3	Counter Flange Dimensions.....	48
3.4	Display - Measuring Mode	20	B.4	Dimensions of protection tube flanges.....	49
3.5	Keypad and Display.....	20	C	Spare Parts	50
3.6	Status LEDs	20	C.1	Probe Components Probe lengths 1 - 2.....	50
3.7	Soft key Symbols	20	C.2	Probe Components Probe lengths 3 - 5.....	51
3.8	System Code	20	C.3	Mounting Plates of the Electronic Unit	52
4	Software Overview and Explanations	21	C.4	Display Board	53
4.1	Menu Overview - SYS-MENU.....	21	Index	54	
4.2	Software Explanations - SYS-MENU.....	24			
4.2.1	O ₂ Measuring Ranges (Scaling).....	24			
4.2.2	Measuring value averaging for	24			
4.2.3	mA output on system errors.....	24			
4.2.4	O ₂ limit alarm settings.....	24			
4.2.5	O ₂ Sensor calibration values	25			
4.2.6	Time per test gas apply	25			
4.2.7	Delay time to process	25			
4.2.8	Automatic Calibration (ACAL).....	25			
4.2.9	Automatic Calibration Settings	25			
4.2.10	REMOTE.....	26			
4.2.11	Measuring units	26			
4.2.12	Language.....	26			
4.2.13	Change system code.....	26			
4.2.14	Load factory settings.....	26			
4.2.15	Service (Factory Service Settings)	26			
4.3	Calibration Menu.....	27			
4.3.1	Calibration Menu - Display Overview	27			
4.3.2	1-point calibration (manual).....	28			
4.3.3	2-point calibration (manual).....	28			

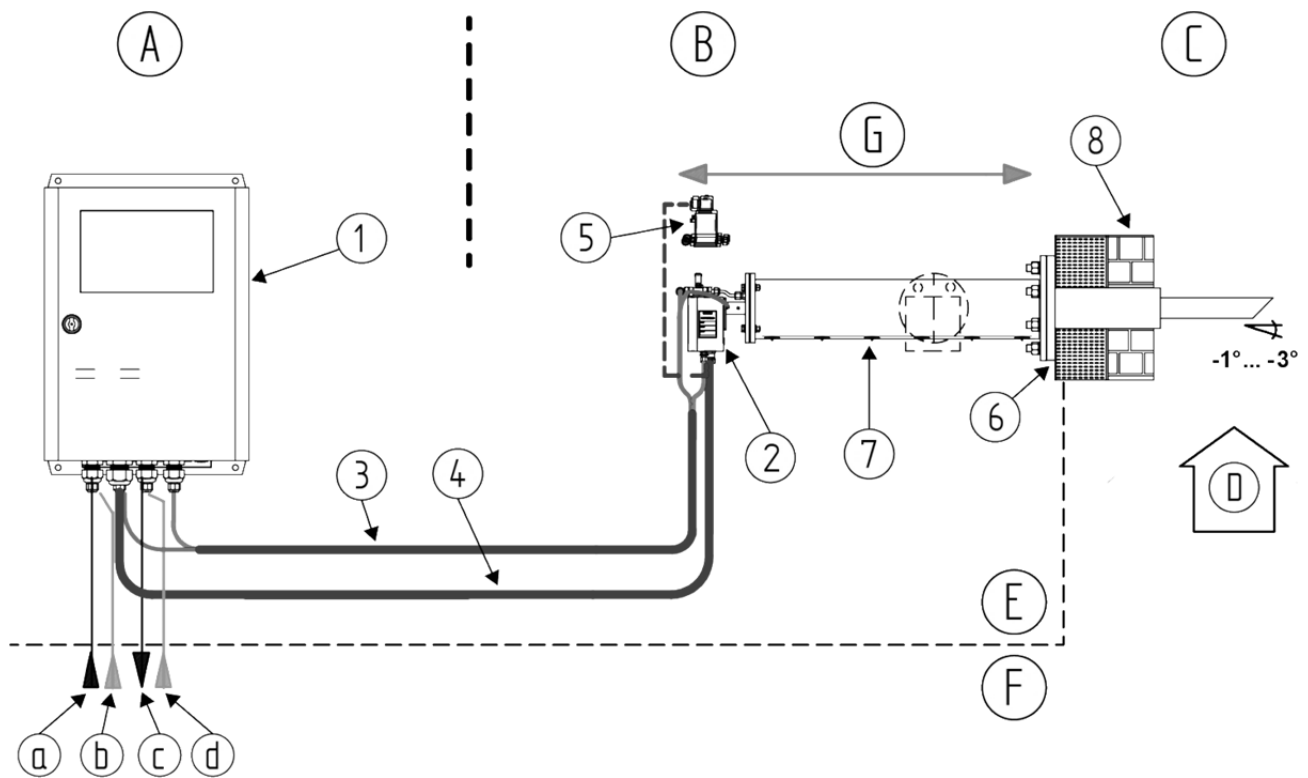


Figure 2 – ZIRKOR200 (probe with cooling tube for flue gas temperatures of up to 1600°C)

①	Electronic unit SME5 / IP66
②	In-situ measuring probe / IP65
③	Pneumatic cable
④	O ₂ probe signal cable
⑤	Solenoid valve (Optional)
⑥	Counter flange (Optional)
⑦	Isolation: Customer
⑧	Duct wall

Ⓐ	Safe Area - Max. ambient temp.: -20°C to +55°C (-4°F to + 131°F)
Ⓑ	Safe Area - Max. ambient temp.: -20°C to +80°C (-4°F to + 167°F)
Ⓒ	Duct / combustion chamber
Ⓓ	Flue gas direction – max. flue gas temperature 1600 °C
Ⓔ	Customer supply
Ⓕ	Manufacturer supply
Ⓖ	Space required: 2.0m for standard installation. 0,8m for 90°elbow construction
ⓐ	Power supply
ⓑ	Test gas in
ⓒ	Output signals (analog and digital)
ⓓ	Instrument air in

System Description

1.2 Measuring Principle


The ZIRKOR200 O₂ analyzer system consists of an in-situ probe which is installed in a duct to measure non-combustible process gases and of an electronic unit for voltage and gas supply, as well as for signal processing.


The oxygen sensor is at the tip of the probe and is regulated to 800 °C and works on the zirconium oxide principle of measurement. Here, a mV signal between the reference gas side of the sensor (inside, instrument air 20.95% O₂) and the measured gas side is measured, which depends logarithmically on the ratio of oxygen partial pressures on both sides of the sensor.


The mV signal is converted according to the Nernst equation into oxygen partial pressure within the process gas, whereby the O₂ concentration is determined in the process gas. Gas-tight separation of reference air and process gas is of particular importance.


Should combustible components such as CO or H₂ be present in the sample gas, they will react with oxygen at the sensor surface and can reduce the measured value.

1.3 Intended use


	Info The ZIRKOR200 analyzer system is a system for measuring the oxygen concentration in flue gases and other non-combustible gases. For reasons of safety and the possibility of accidents, unauthorized conversions and modifications of the system are prohibited.
--	---

	Warning The system cannot be used to determine the oxygen concentration of combustible gases or in a location where combustible gases are present as the measuring cell temperature of 800°C could present an explosion hazard!
--	---

	Info The minimum concentration of O ₂ in flue gas should under normal process conditions, not be less than 0,5%. If the O ₂ concentration is regularly below 0,5%, we recommend the option of LL² (Long Life²) to protect the O ₂ sensor.
--	---

	Caution Under no circumstance should the measuring probe be directly connected to the 230V main power supply, as this will immediately destroy the probe heater element!
---	--

1.4 Safety Hazards

	Warning hot surface During operation, the temperature of the probe filter head and of other parts exposed to flue gas is 150°C - 800°C (302°F - 1472°F). Direct contact with the hot parts when dismantling or maintenance will cause severe burns! The probe may only be removed with heat-insulated gloves. Before removing the probe, always switch off the supply voltage of the electronic system. After removal, store the probe in a safe, protected place and wait until it has cooled down below 35°C (95°F).
--	---

1.5 Disruption of the Process

The analyzer system has to be kept in operation also in the event of the process being disrupted or if the plant is powered off temporarily (e.g. at night or during the weekend). Frequently cooling down and heating up of the probe results in thermal stress of the hot probe parts (heater, thermocouple and sensor) and reduces their product life. Responsibility will not be accepted for resultant damage.

1.6 Storage instructions

All equipment and spares are to be stored in a dry and ventilated environment. Paint fumes, silicone sprays, etc. must be avoided in the storage environment.

1.7 Name Plates

The name plate contains information about the line voltage, the nominated current, frequency, protection class, year of manufacture, serial number, and system order code.

The system order code refers to information which is detailed in the system test report and supplied with the system.

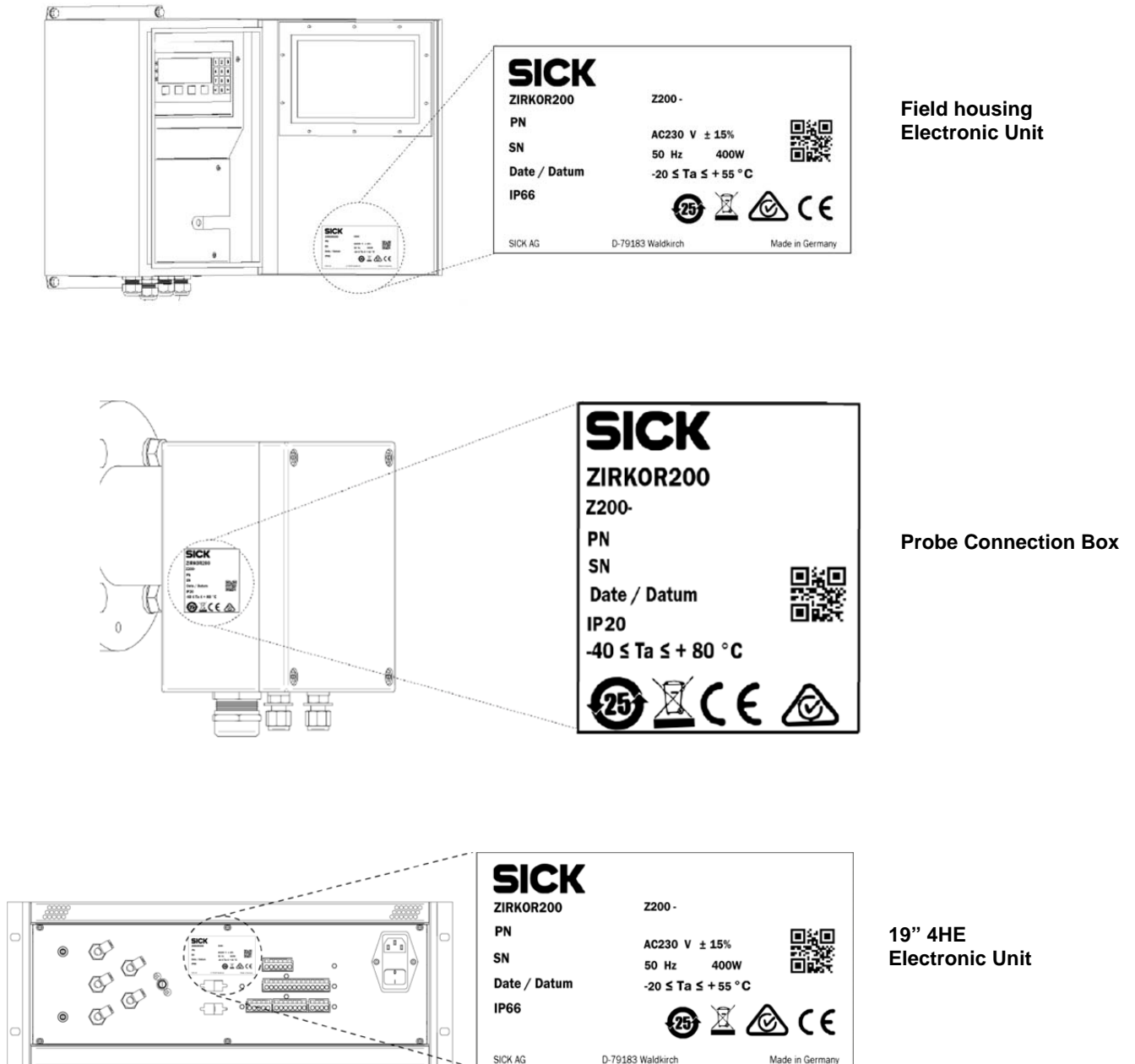

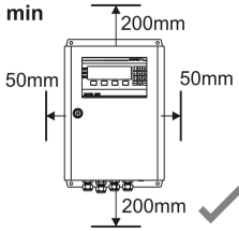
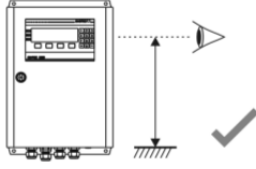


Figure 3 - Position of the name plates

2 Installation


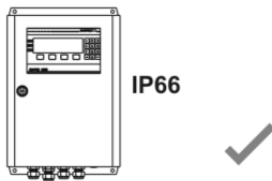
	<p>Warning</p> <p>The device must be provided with an external power-off switch. The line voltage switch/fuse/breaker must be in accordance with the local technical standards and should be near to the electronic unit and must be clearly marked as such. The probe cable is suitable for an ambient temperature range from -40°C to +90°C. All other installed cables must be suitable for the ambient temperature range at side and must have the required size. All electronic unit terminals are specified from 0,08mm² (AWG 26) to 2,5mm² (AWG 14). If wire end ferrules are used the next smaller size is required. Before removal of the electronic terminal (Figure 5) cover the line voltage must be switched off. The line voltage to the electronic unit must be switched on again after the cover is back in position. After installation power conducting parts may not be accessible.</p>
--	---

2.1 Installation Requirements for Electronic Unit

	
---	--

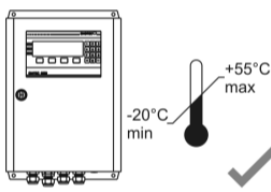

Keep the minimum distance to adjacent objects

Install at eye level

	
---	--

Avoid vibrations greater than 2g

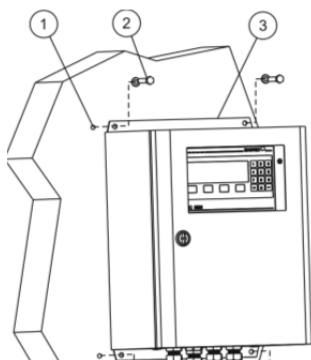
Mind the IP code

	
---	---

Heavy equipment, ensure proper lifting and carrying

Ambient temperatures

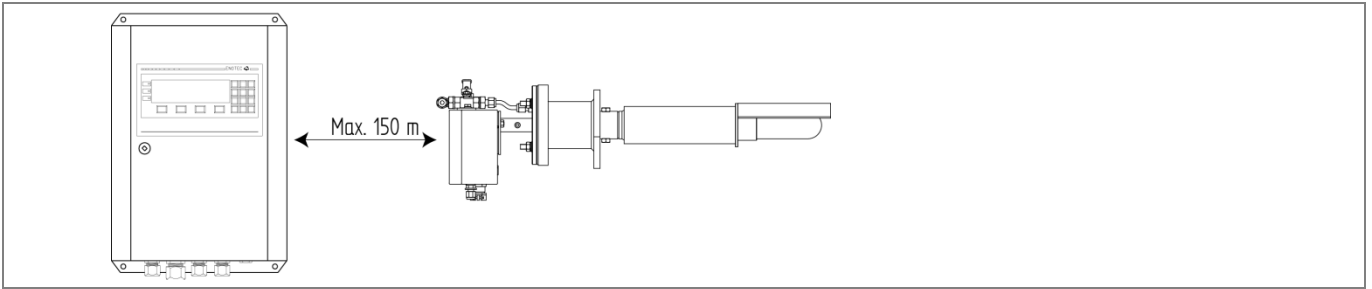
Min.: -20 °C (-4 °F) / Max.: +55 °C (+131 °F) - (Pump version -20°C to +50°C)



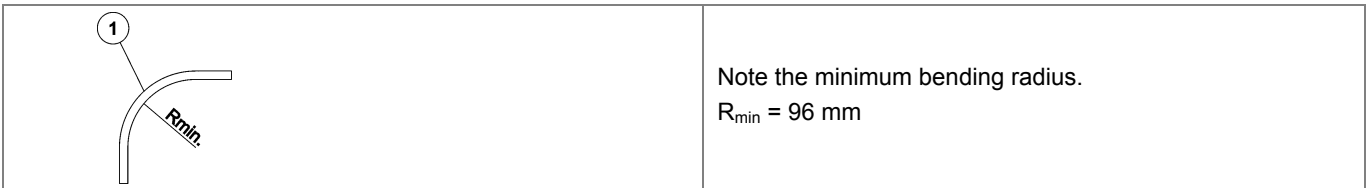
- | | |
|---|-------------------------------------|
| ① | Drill holes for the electronic unit |
| ② | Use suitable screws |
| ③ | Electronic unit |

Figure 4 - Installation of the Electronic unit

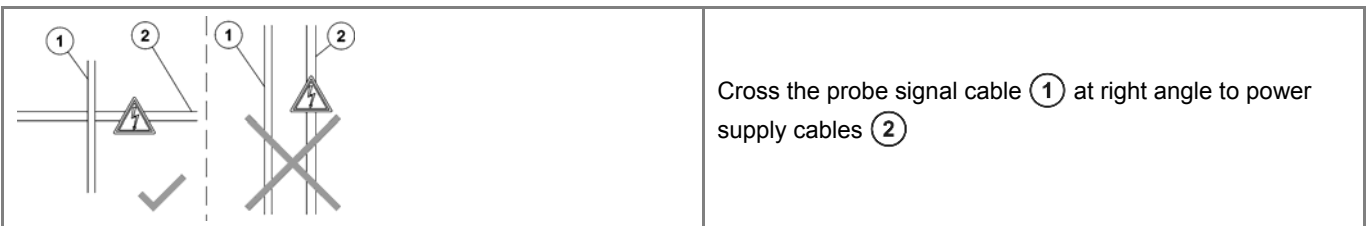
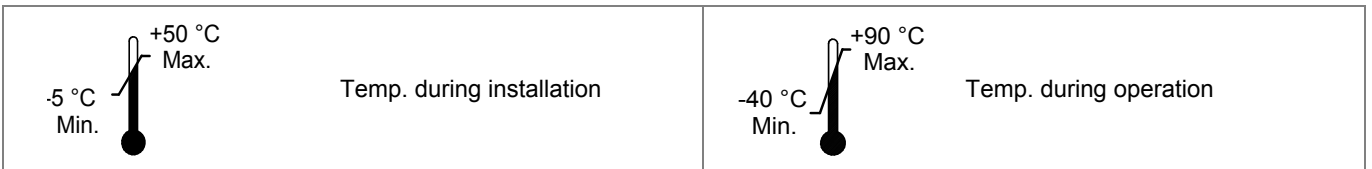
2.2 Installation of Probe Signal Cable



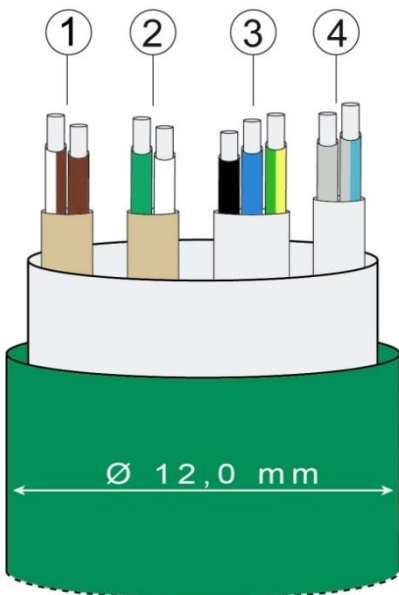
Abide by the maximum cable length (max. 150m)



Note the minimum bending radius.
 $R_{min} = 96 \text{ mm}$



Cross the probe signal cable ① at right angle to power supply cables ②



Probe Cable				
No.	Function	Diameter	Colors	Additional info.
①	Measuring cell	2 x 0,75 mm ²	white-brown / brown	With shield
②	Thermocouple	2 x 0,75 mm ²	green / white	With shield
③	Probe heating	3 x 1,5 mm ²	black / blue / green-yellow	
④	Solenoid valve	2 x 0,75 mm ²	grey / grey-blue	

Figure 5 - Probe signal cable

! **Caution**
 Probe cables must be treated as measurement cables. Do not connect the shield of the probe cable probe.

Installation

2.3 Access to the Terminals



Warning

Before removing the terminal covers, switch off the mains voltage to the system. Switch the mains voltage on only after attaching the terminal cover. After the installation has been completed, live parts may no longer be accessible.

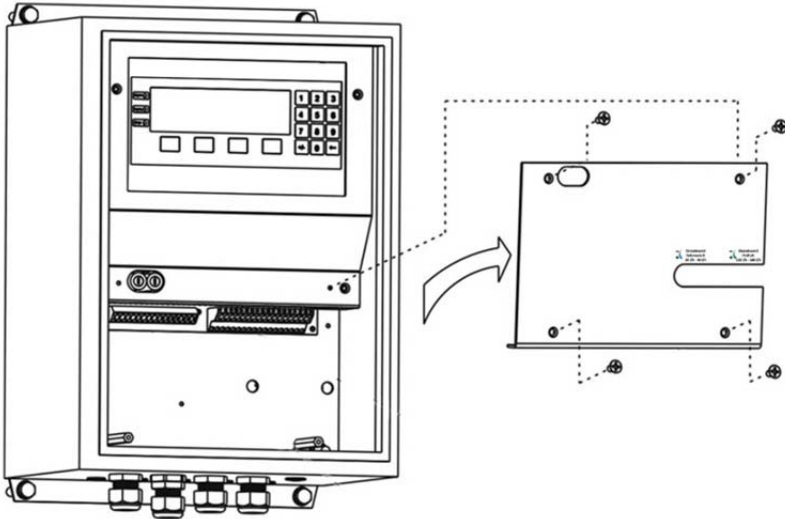
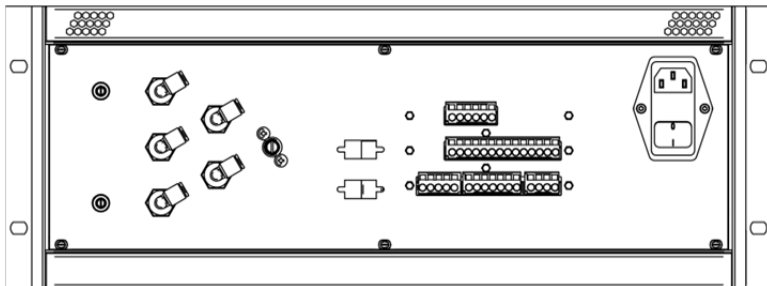


Figure 6 - Access to the Terminals
(field housing and 19" 4HE electronic units)



2.4 Ferrite Sleeves (EMC)



Caution

In order to avoid cable related disturbances to the electronic unit, the supplied ferrite sleeves must be used.
CE-conformity is invalid if these ferrite sleeves are not fitted!

2.5 Wiring Diagram of the Electronic Unit

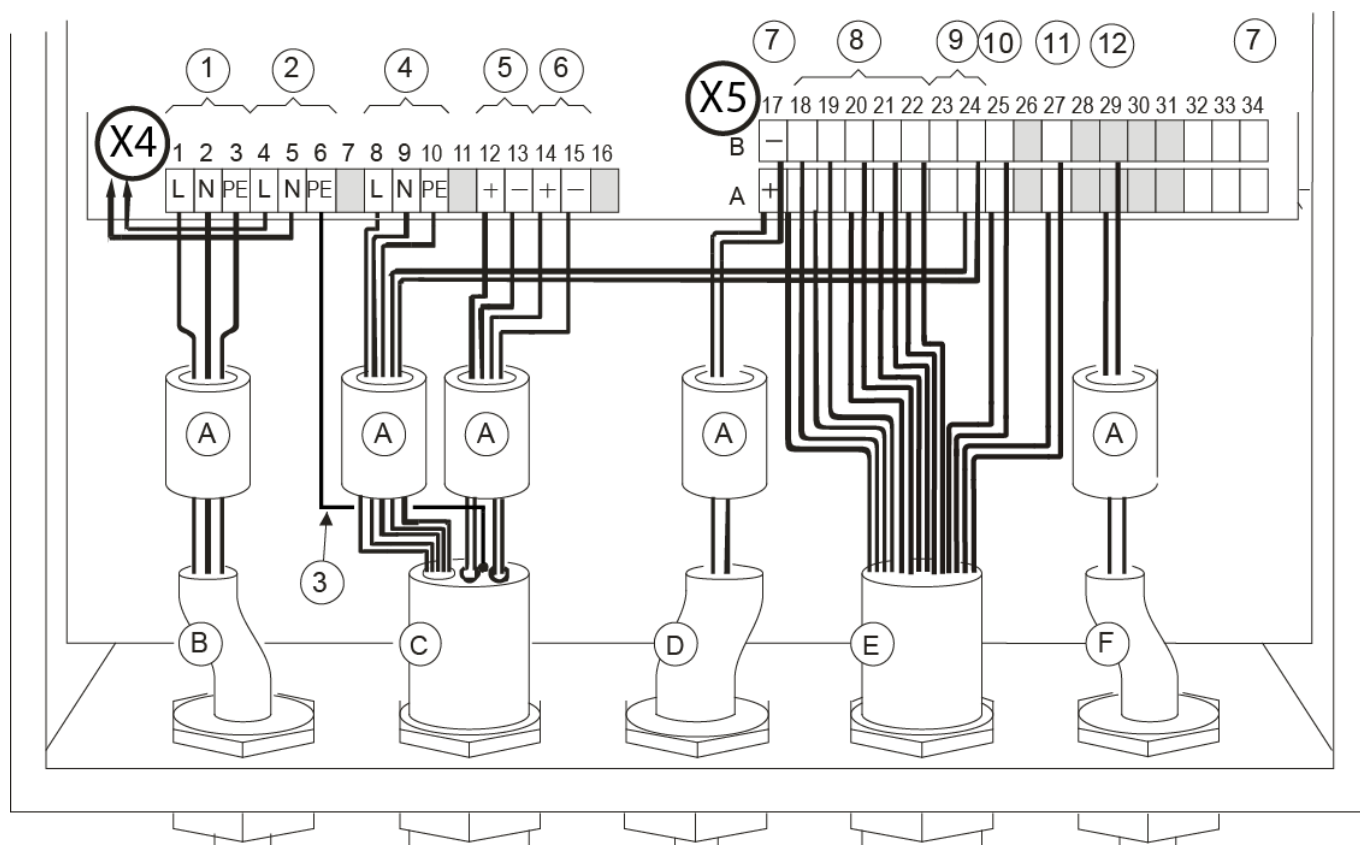


Figure 7- Wiring diagram of the Electronic Unit

- | | | |
|--|---|--|
| <p>(A) Ferrite sleeves (Enclosed)</p> <p>(B) Power supply cable (customer)</p> <p>(C) Probe signal cable</p> <p>(1) Power supply (115/230V AC, 50/60Hz)</p> <p>1 L phase</p> <p>2 N neutral wire</p> <p>3 PE grounding conductor</p> <p>(2) Internal Power supply ¹</p> <p>4 L phase</p> <p>5 N neutral wire</p> <p>6 PE grounding conductor</p> <p>(3) Shielding</p> <p>(4) Internal Power supply probe heater 115V AV</p> <p>8 L_H black</p> <p>9 N_H blue</p> <p>10 PE green/yellow</p> <p>(5) O₂ sensor signal</p> <p>12 + brown</p> <p>13 - brown/white</p> <p>(6) Thermocouple (O₂ sensor)</p> <p>14 + green</p> <p>15 - white</p> <p>(7) Analogue outputs (active 4-20mA)</p> <p>17A + O₂</p> <p>17B - O₂</p> | <p>(D) Analogue output cable (customer)</p> <p>(E) Status signal cable (customer)</p> <p>(F) Pressure transmitter analogue input cable (option, customer)</p> <p>(8) Relay contacts for status signals - Potential free</p> <p>18 A/B Maintenance</p> <p>19 A/B System Error</p> <p>20 A/B Output A O₂ measuring range</p> <p>21 A/B O₂ Limit Alarm 1</p> <p>22 A/B O₂ Limit Alarm 2</p> <p>(9) Probe solenoid valve</p> <p>23 A Internal Power supply for probe solenoid valve</p> <p>23 B</p> <p>24A L_V grey</p> <p>24B N_V grey/blue</p> <p>(10) Measuring Range O₂ (12..24V DC- External supply)</p> <p>25A +</p> <p>25B -</p> <p>(11) Calibration release (12..24V DC - External supply)</p> <p>27A +</p> <p>27B -</p> <p>(12) Input Process pressure (passive 4-20mA)</p> <p>29A +</p> <p>29B -</p> | <p>¹ The output voltage of these contacts (4...6) always have the same voltage as on the power supply input on contacts (1...3)</p> |
|--|---|--|

2.6 ZIRKOR200 Wiring diagram

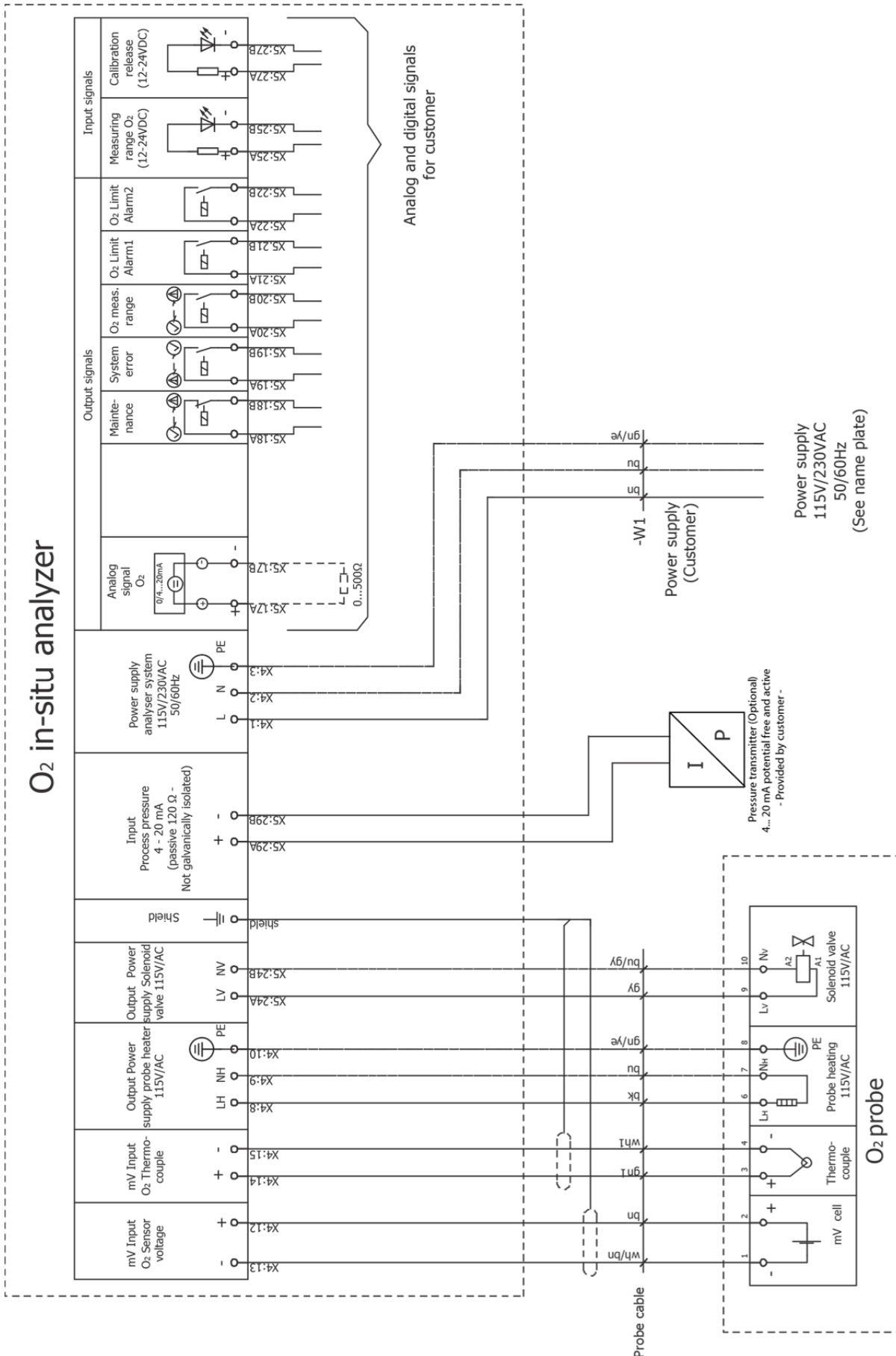
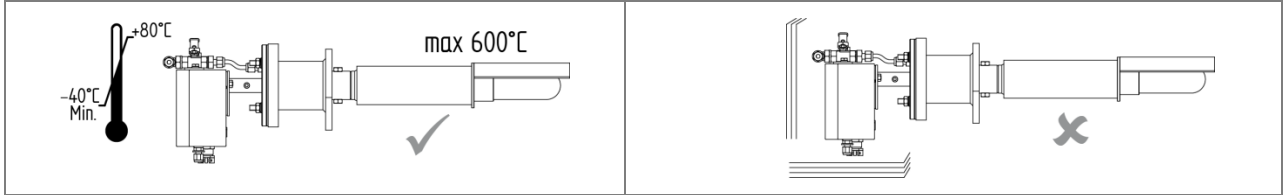


Figure 8 - Wiring diagram of the ZIRKOR200 analyzer system

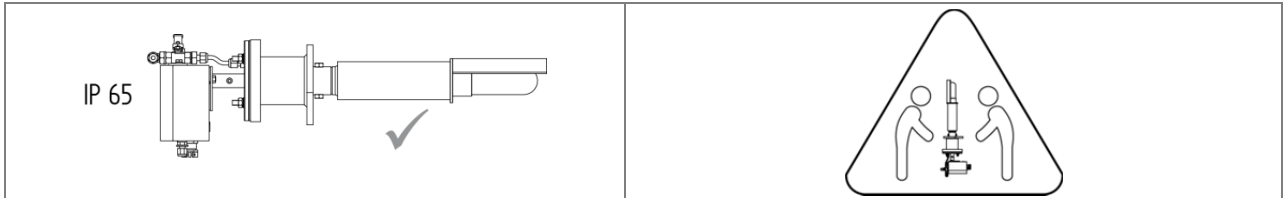
2.7 Installation of the probe

The flue gas temperature, pressure and all other process conditions must be in accordance with the specification (see chapter A.2). Leave enough space for insertion/removal of the probe and protection tube (if supplied) and ensure access to the measuring probe and/or connecting box. Before cutting a hole in the flue gas duct, make sure that the inside of the duct has enough space for probe installation and that no soot is blown out nearby or any obstacles are in the way. For probe lengths exceeding 2000 mm, a support must be mounted inside the duct (every 2m) to prevent the probe and mounting tube from flexing or bending. It is recommended to install the probe horizontally for the fastest possible response time.



The ambient temperature at the connection box and the process temperature must not be exceeded.

Avoid vibrations greater 2g



Maintain the protection class

Heavy equipment, ensure proper lifting and carrying

2.8 Mounting of the Probe

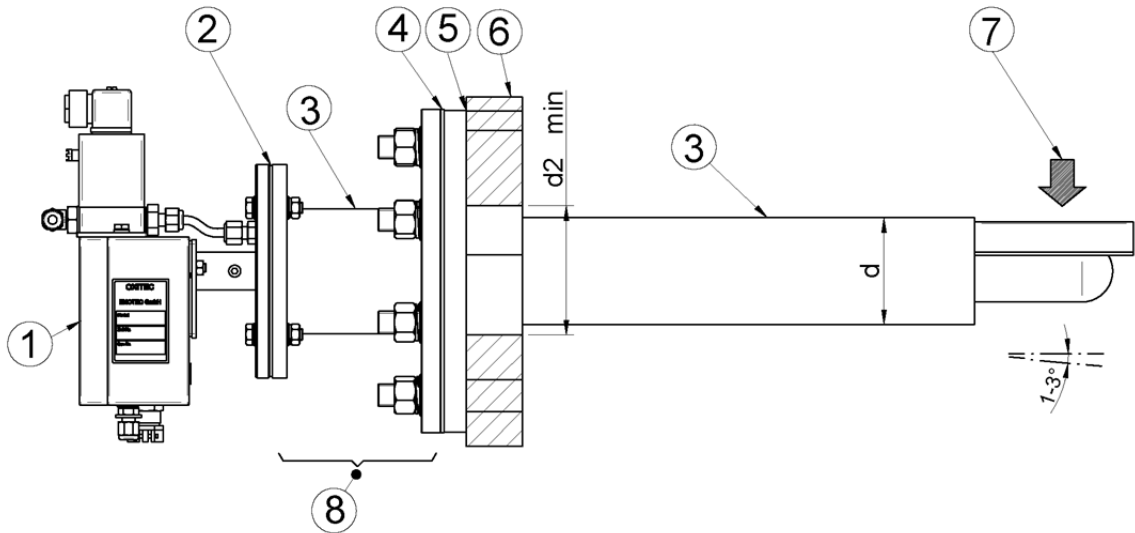


Figure 9 - Mounting of the O₂ probe – for dimensions, see section B.

①	Probe connection box
②	Flange gasket
③	Protection tube
④	Flange gasket

⑤	Counter flange which has been welded gas tight at correct angle to duct
⑥	Duct wall
⑦	Flue gas direction
⑧	Insulate here to avoid dew point condensation

2.9 Mounting a probe with Cooling Protection Tube

Info
 If a cooling tube is used, the part of the protection tube projecting from the duct wall must be insulated or heated if necessary, to prevent its temperature from dropping below the dew point.
Make sure that the gas outlet is not blocked.

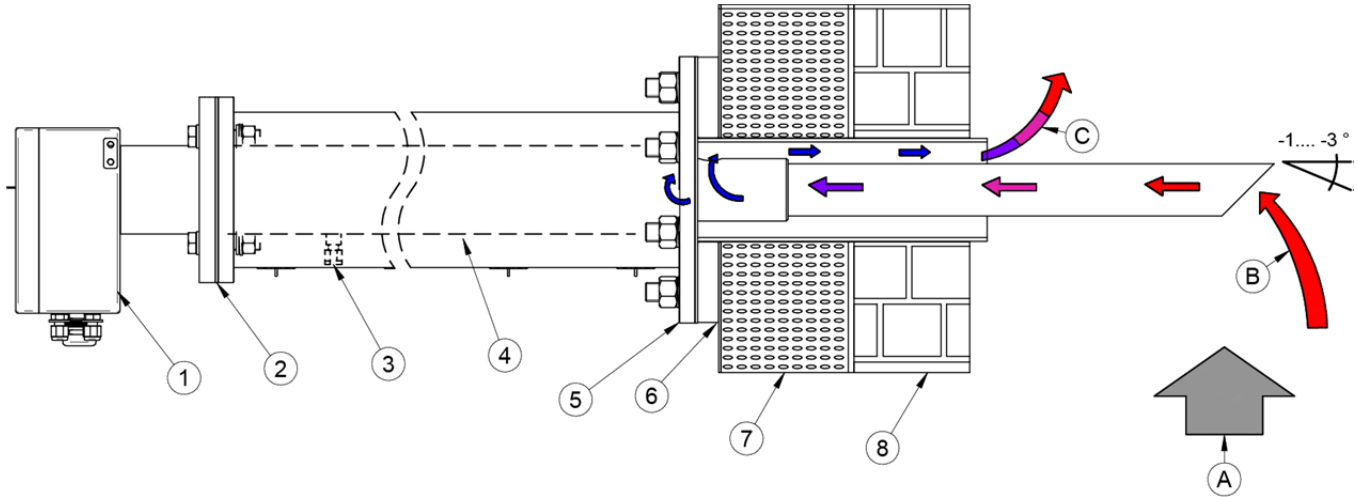
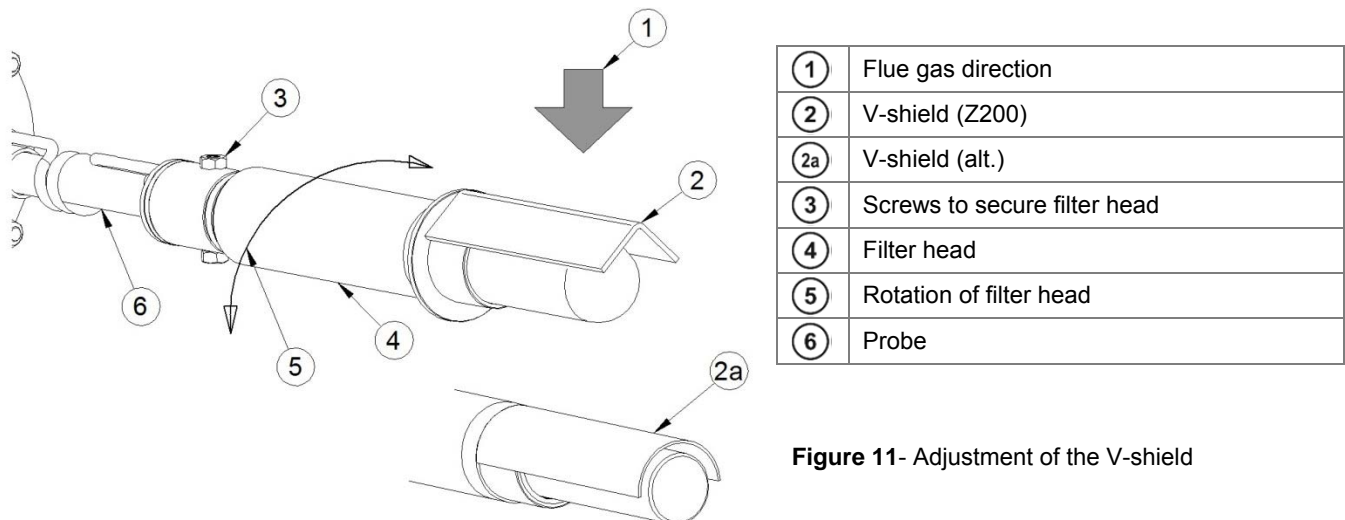


Figure 10 – Mounting and insulation of the cooling protection tube

①	Probe connection box	⑦	Steel cover
②	Flange gasket	⑧	Duct wall
③	Suction connection	Ⓐ	Flue gas
④	Cooling tube - Insulate to avoid condensation	Ⓑ	Gas entry
⑤	Protection tube flange	Ⓒ	Gas outlet – do not block
⑥	Counter flange welded gas tight at correct angle		

2.10 Adjusting the V-Shield

Before installing the probe, **the direction of flue gas flow must be determined** and the filter head assembly turned to such a position that the V-shield faces the oncoming flue gas. The filter head can be turned freely a full 360° for this purpose, by loosening the counter nut, loosening the Allen screw and rotating the filter head / V-shield to the required position, and then tightening the Allen screw and counter nut.



①	Flue gas direction
②	V-shield (Z200)
②a	V-shield (alt.)
③	Screws to secure filter head
④	Filter head
⑤	Rotation of filter head
⑥	Probe

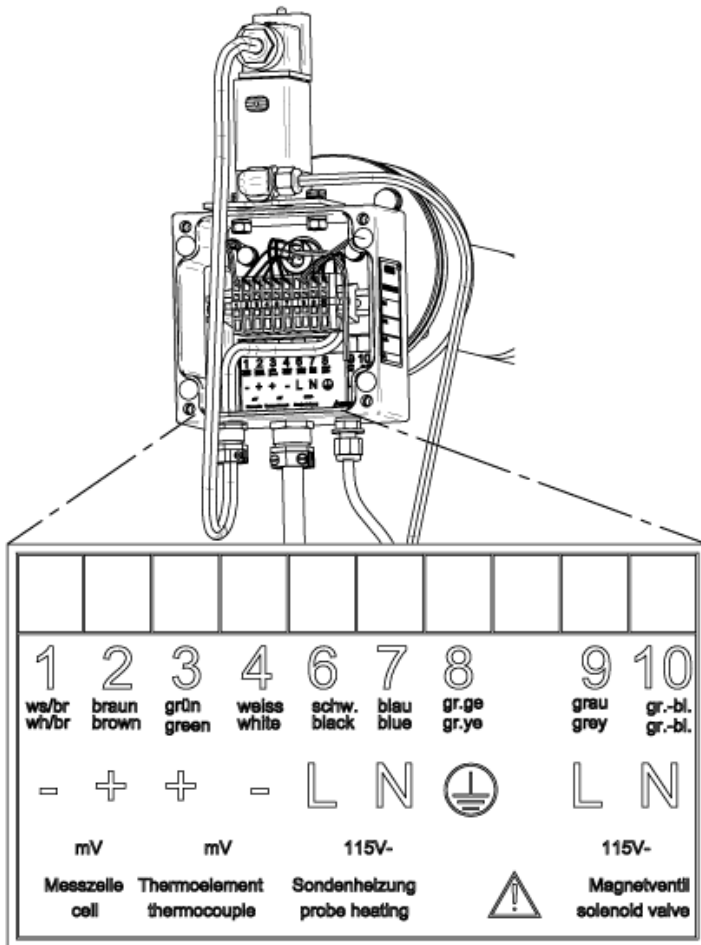
Figure 11- Adjustment of the V-shield

2.11 Electrical Connections of the Probe



Info

The probe cable has to be connected to the terminal board in the probe terminal box.
Do not connect the shield of the probe cable probe.



1	: - mV O ₂ sensor (white-brown)
2	: + mV O ₂ sensor (brown)
3	: + mV thermocouple 1 (green)
4	: - mV thermocouple 1 (white)
6	: L 115VAC heater (black)
7	: N 115VAC heater (blue)
8	: PE Protection earth (green yellow)
9	: L 115VAC solenoid valve (grey)
10	: N115VAC solenoid valve (grey-blue)

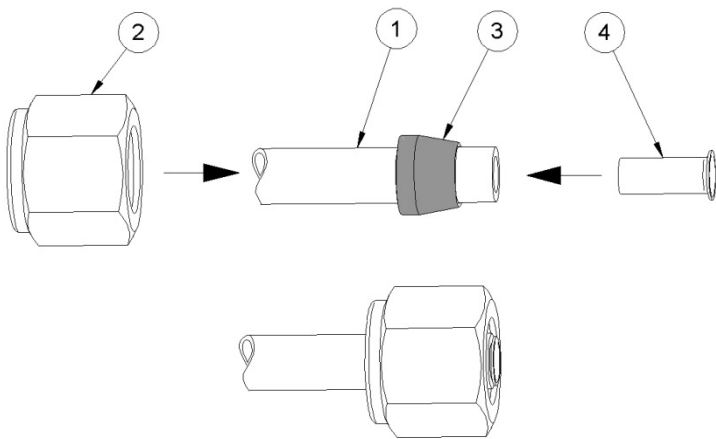
Figure 12 - Electrical Connections of the probe connection box

2.12 Requirements for the Pneumatic Tube

	<p>Note the minimum bending radius. $R_{min} = 138 \text{ mm}$</p>
--	---

<p>Temp. during installation</p>	<p>Temp. during operation</p>
----------------------------------	-------------------------------

2.13 Preparation of the pneumatic Tube



①	Pneumatic tubing
②	Nut
③	Clamp ring
④	Support sleeve

Both, the pneumatic tubing for the reference air (blue) and the test gas (green) have to be prepared with support sleeves ④, clamp rings ③ and nuts ②.

Figure 13 - Preparation of pneumatic tubes

2.14 Gas plans

Pneumatic version for Instrument air

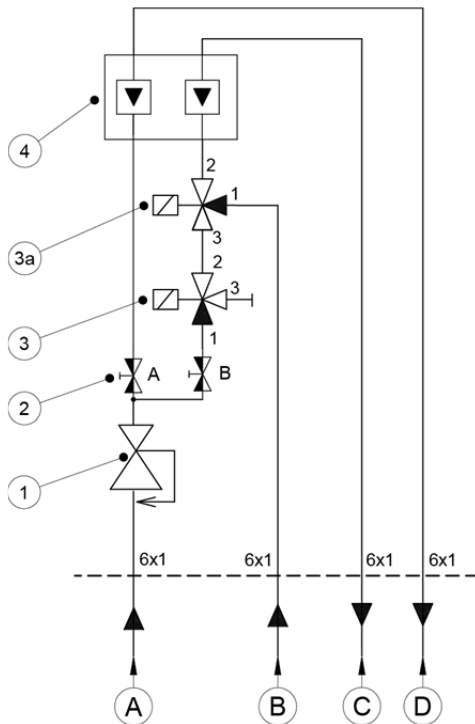
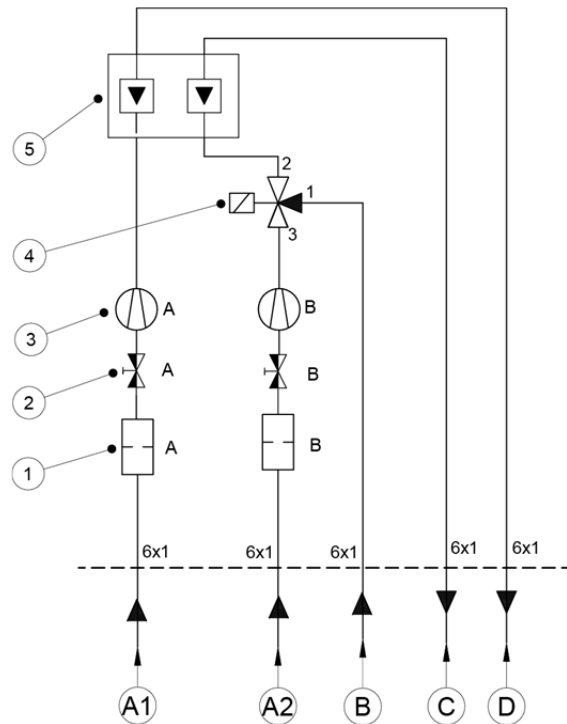


Figure 14 - Gas plans

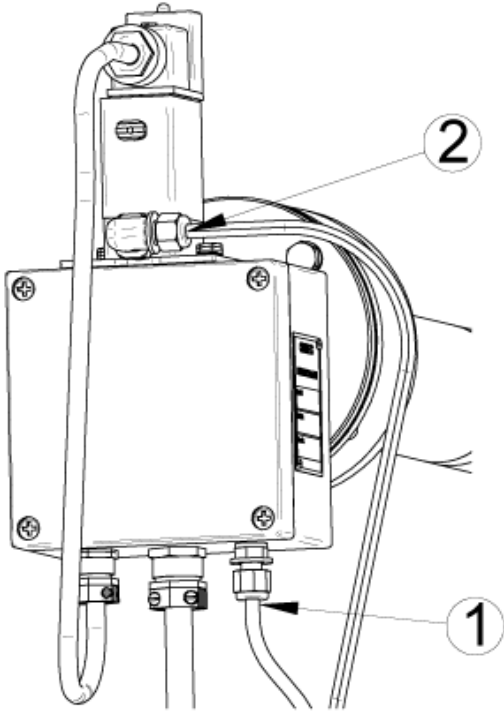
①	Pressure control valve
②	Choke non return valve
③	Solenoid valve 3/2 ways
③a	Solenoid valve 3/2 ways
④	Flow meter
A	Test gas in
B	Test gas out
C	Instrument air in
D	Reference air out

Pneumatic version with pumps



①	Filter
②	Choke non return valve
③	Reference air pump / Test air pump
④	Solenoid valve 3/2 ways
⑤	Flow meter
A1	Test gas in
A2	Test gas out
B	Reference air in
C	Reference air out
D	Test air in

2.15 Pneumatic Connections of the Probe



①	Reference air in: blue tube
②	Test gas in: green tube

Figure 15 - Pneumatic connections of the probe

2.16 Pneumatic Connections of Electronic Units

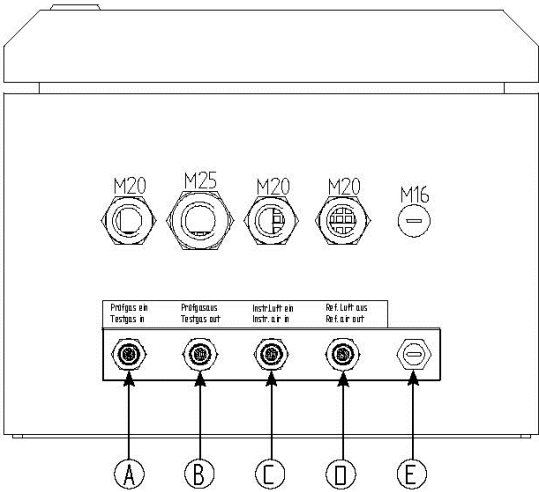
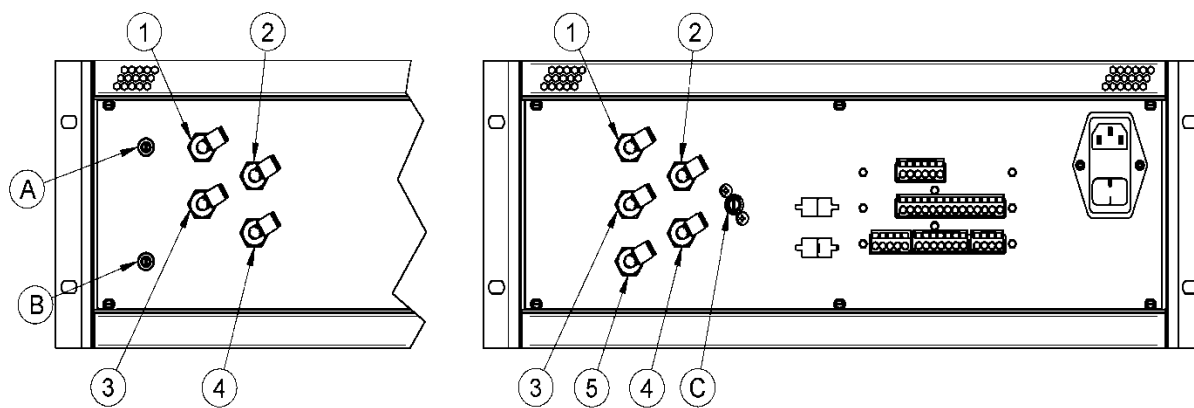


Figure 16 - Bottom view of the electronic unit with integrated pneumatics

No.	Tube	Pump version	Instrument air version
①	1/4"	Test gas in	Test gas in
②	1/4"	Test gas out	Test gas out
③	1/4"	Reference air in	Instrument air in
④	1/4"	Reference air out	Reference air out
⑤	1/4"	Test air in	



Instrument air version

Pump version

Figure 17 - Back view of the 19" 4HE electronic unit showing pneumatic connections

No.	Tube	Pump version	Instrument air version
①	1/4"	Test gas in	Test gas in
②	1/4"	Test gas out	Test gas out
③	1/4"	Reference air in	Instrument air in
④	1/4"	Reference air out	Reference air out
⑤	1/4"	Test air in	

Ⓐ	Regulator Reference Air
Ⓑ	Regulator Test Air
Ⓒ	Regulator Test Air

3 Initial Operation

3.1 Checklist before commissioning the system

- Is the serial number of the probe identical to the serial number of the electronic unit? If not, change the assignment.
- Does the voltage specified on the name plate correspond to the line voltage? (See section [1.7 - Name Plates](#))
- Is the electrical wiring connected correctly? (See section [2.6 - ZIRKOR200 Wiring Diagram](#))
- Are the pneumatic connections correct and gas tight? (See sections [2.15 and 2.16 - Pneumatic Connections](#))
- Make sure that there are no leakages at the probe - e.g. is the counter flange welded gas tight to the duct and are the flange bolts tightened sufficiently? Are gaskets in use? (See section [0 - Mounting of the Probe](#))
- Do the conditions at site match the specification in the data sheets? (See section [A - Technical Data](#))

3.2 System Power Up

Switch on the line voltage to the system. After a short power up information, the user is prompted to **Select language**, set the **System date**, **System time**, enter a **TAG number** and **REMOTE code** (only if option REMOTE is factory activated).

The probe heating phase now begins which is followed by the measuring mode.
A 2-point calibration must be carried out 24 hrs after commissioning.

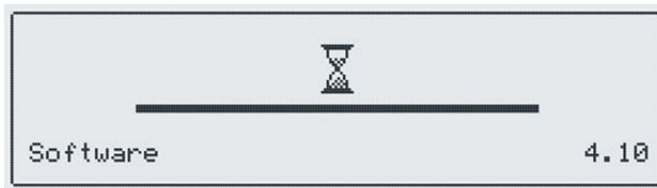


Figure 18 - System Power up. Note the software version at the bottom right of the display.

3.3 Display - Probe Heating Phase

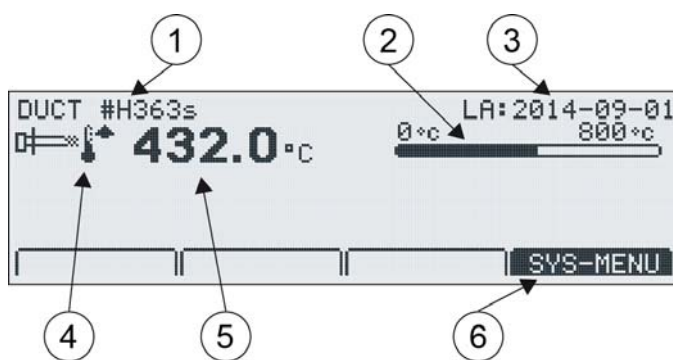
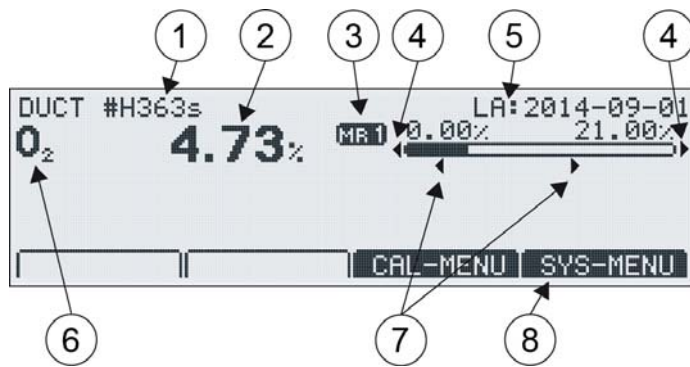


Figure 19 - O₂ sensor heating phase

The probe heating phase begins with the heating up of the O ₂ sensor.	
①	TAG number
②	Analogue temperature bar
③	Last access with corresponding date
④	Rising probe temperature
	(or) waiting period
	(or) heater error
⑤	Current temperature
⑥	Soft key title: e.g. System menu

3.4 Display - Measuring Mode

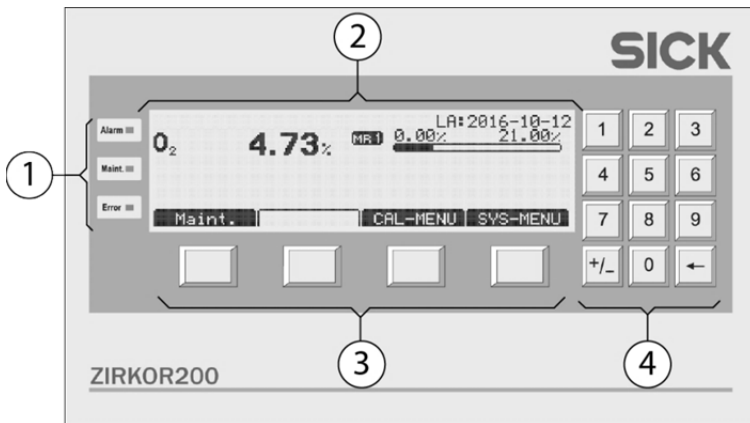


①	TAG number
②	Measured value
③	Active measuring range
④	Blinking indicators showing under or over measuring range
⑤	Last access
⑥	Measured component
⑦	Limit alarm indicators min-Alarm / max-Alarm *
⑧	Soft key titles

Figure 20 - Measuring mode

* Only if the O₂ limit alarms are switched on and the limits are within the set measuring range.

3.5 Keypad and Display

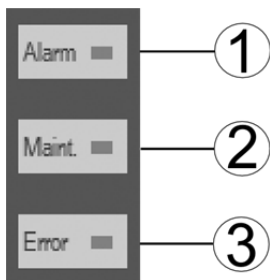


The controls and display of the ZIRKOR200 are housed in the electronic unit and are comprised of:

①	Three LED indicators depicting active status reports for limit alarms, maintenance and system faults
②	Graphic enabled, back-lit display
③	Four soft keys with varying layout (soft keys)
④	Numeric number bloc

Figure 21 - Keypad and display

3.6 Status LEDs



Alarm, - orange - is lit when an alarm has been activated (e.g. O₂ limit alarm)

Maint. - Orange - a function has been accessed which may affect the measurement

Error - red - is lit when a system error has occurred

3.7 Soft key Symbols

- Moves the selection one position upwards
- Moves the selection one position down-wards
- Leave an area
- Abort a function or entry
- Select or confirm a function/value

3.8 System Code



Info

The system code on delivery is 0000. In this state, entry into the system is granted without having to enter the system code. The system code protects the system from unauthorized use. Functions which may alter the measurement of O₂ are therefore also protected.

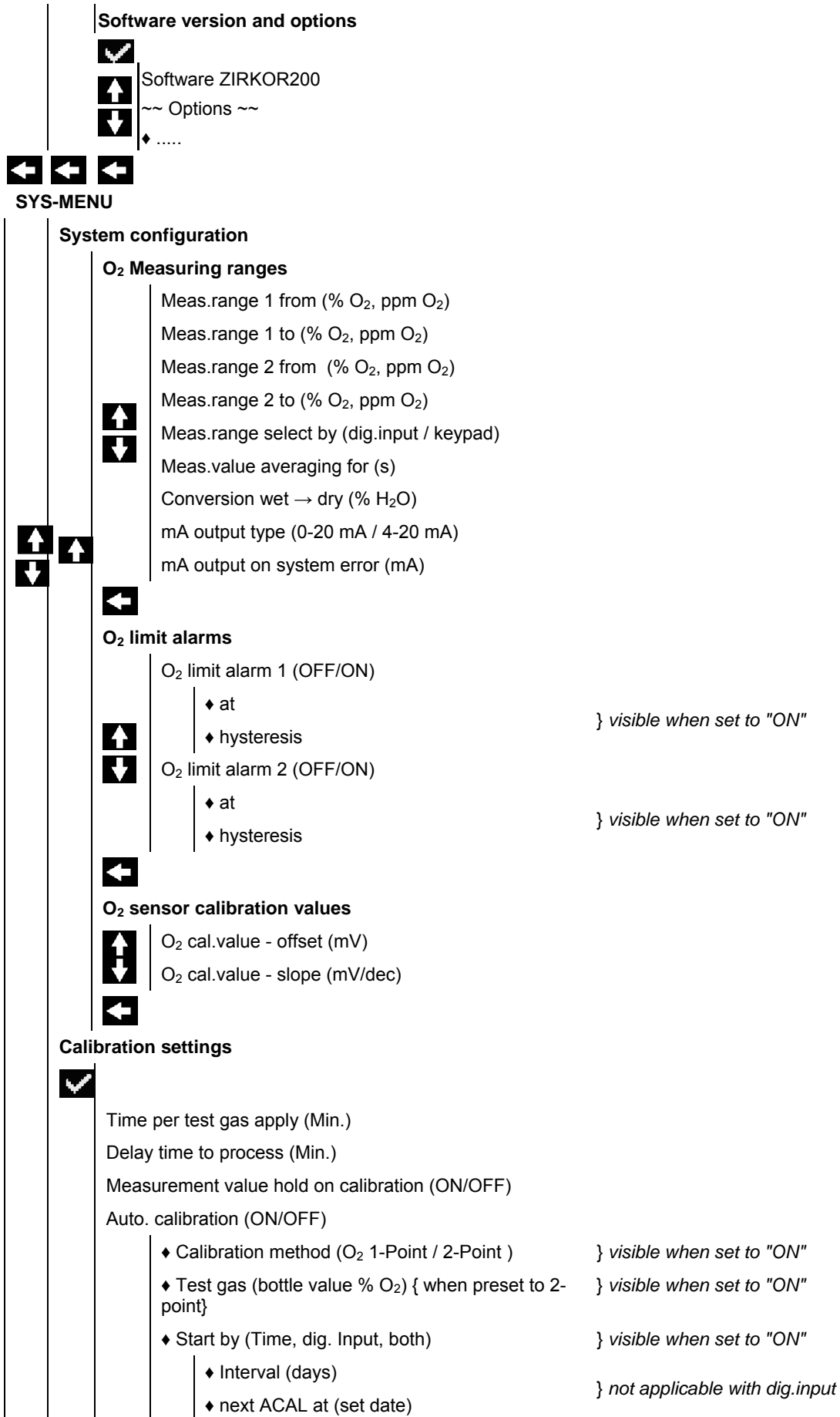
Caution: If the system code has been altered, it must be kept in a safe place!

4 Software Overview and Explanations




4.1 Menu Overview - SYS-MENU

SYS-MENU





	System Information	
	<input checked="" type="checkbox"/> Actual measured values	
		O ₂ measured value (% O ₂) {may be ppm}
		O ₂ -mA output 17A/B (mA)
		O ₂ sensor input (mV)
		Flow rate reference air (l/h)
	<input type="checkbox"/> ↑	O ₂ probe temperature (°C / °F)
	<input type="checkbox"/> ↓	O ₂ probe heater power (%)
		Thermocouple input (mV)
		Terminal temperature (°C / °F)
		Internal temperature (°C / °F)
		Process pressure (rel) (mbar/psi) } only visible with optional Pressure Compensation
		O ₂ sensor life (%)
<input type="checkbox"/> ↑		Lambda
<input type="checkbox"/> ↓	<input type="checkbox"/> ↑	<input type="checkbox"/> ←
	Calibration results	
	<input checked="" type="checkbox"/> e.g. 2012-05-11 (Choose date/time)	
		Executed at
		Calibration method
		O ₂ sensor calibration
		~~ Calibration results ~~
	<input type="checkbox"/> ↑	O ₂ value at test air (20,95 % O ₂)
	<input type="checkbox"/> ↓	◆ calibrated to (% O ₂)
		O ₂ value at test gas (% O ₂) } only if determined
		◆ calibrated to (% O ₂)
		~~ Calibration data ~~
		O ₂ sensor offset (mV)
		O ₂ sensor slope (mV / dec) } only 2 point calibration
		~~ Test gas data ~~
		Test air (20,95 % O ₂)
		Test gas (e.g. 2,1 % O ₂)
		~~ Sensor raw data~~
	<input type="checkbox"/> ↑	O ₂ voltage at test air (mV)
	<input type="checkbox"/> ↓	◆ at pressure (mbar/psi)
		O ₂ voltage at test gas (mV) } only if determined
		◆ at pressure (mbar/psi)
		O ₂ response to test gas (s) } only if determined
		O ₂ response to process (s) } only if determined
		O ₂ sensor life
	<input type="checkbox"/> ←	<input type="checkbox"/> ←
	Device operating data	
		Powers on counter
		Hours in operation
		Min. internal temperature
		Max. internal temperature
<input type="checkbox"/> ←	<input type="checkbox"/> ←	



Pressure compensation (Optional)





-  Pressure input from (mbar)
-  Pressure input to (mbar)
-  Location altitude (m)

System clock/TAG number

- 
-  System date (yyyy-mm-dd)
-  System time (hh:mm:ss)
-  TAG





REMOTE settings (optional)

} Visible when REMOTE interface is activated




- 
-  REMOTE (ON/OFF)
-  REMOTE code (8 digit code)
-  Range (Short / Medium / Maximum)

} Visible when REMOTE is ON

Measuring units

- 
-  Temperature (°C / °F)
-  Pressure (mbar / psi)
- 

Language

- 
-  Choose language (Deutsch / English / Spanish / Polish)
- 

Change system code



Load factory settings



Service



4.2 Software Explanations - SYS-MENU

4.2.1 O₂ Measuring Ranges (Scaling)

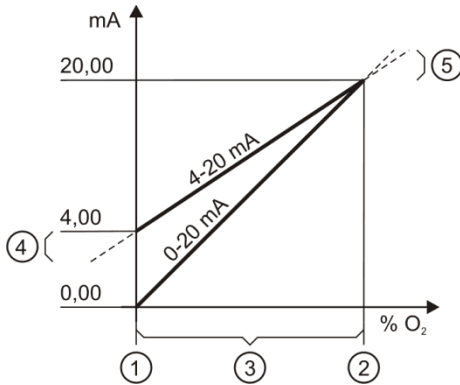


Figure 22 - O₂ Measuring Ranges

The O₂ Measuring range (3) is linearly scaled and converted to a linear current output (0/ 4-20 mA).

The parameter „O₂ Measuring range from“ (1) is the start value of the O₂ range, leading to an analogue output of 4,00 mA.

„O₂ measuring range to“ (2) is the end value of the O₂ range, leading to an output of 20,00 mA.

If a measured value is lower than the start value of the O₂ measuring range, the current output signal drops to 3,60 mA.

(If the current output is set to 0- 20 mA the output is 0 mA)

If the measured O₂ value is higher than the end value of the O₂ measuring range end, the analogue output rises to 20,40 mA.

If during normal operation the measured O₂ value is under, (4) or over (5) the programmed measuring range, an error message appears on the display (in measuring mode).

4.2.2 Measuring value averaging for

This entry sets the duration for the continuous average measurement (flowing average). During a calibration or sensor verification, the measurement average is not shown, though still active for the analogue output.

4.2.3 mA output on system errors

The mA output value for a system error is specified in range of 0 - 3,55 mA or 20,41 to 20,80 mA. The mA output value for a system error cannot be set in the mA measuring range.

4.2.4 O₂ limit alarm settings

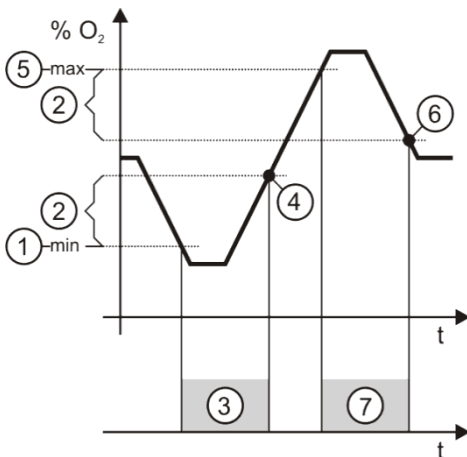


Figure 23 - O₂ limit alarm settings

The entry "by" sets the value at which the O₂ limit alarm is activated.

The O₂ limit alarm function "min" (1) defines a value by which the limit alarm (3) is activated if the measured O₂ value falls below the set limit.


If the hysteresis is set to greater than 0,00, (2) the limit alarm is reset when the measured O₂ value rises above the set O₂ limit plus the hysteresis value (4).

The O₂ limit alarm function "max" (5) defines a value by which the limit alarm (7) is activated if the measured O₂ value rises above the limit.

If the hysteresis is set to greater than 0,00, (2) the limit alarm is reset when the measured O₂ value falls below the O₂ limit minus the hysteresis value. (6)

If the hysteresis is set to 0,00 % O₂, the triggered limit alarm must be manually reset.

4.2.5 O₂ Sensor calibration values

	<p>Info</p> <p>The sensor calibration values can be altered through a 1 or 2 point calibration. Manual entry of values is only necessary after replacing the O₂ sensor. (The sensor calibration values, "cell constant" and "cell slope" can be found on the probe test protocol for new probes.)</p>
---	---

4.2.6 Time per test gas apply

Here the maximum duration of time for the application of test gas or test air is set. If sensor stability is not reached within the maximum time, the following error message is displayed: "**O₂ Sensor calibration failed - O₂ sensor signal instable**". This problem can be offset by setting a longer duration. The factory setting for maximal duration is 10 Minutes. If necessary, the time can be adjusted between 5 minutes and 30 minutes.


4.2.7 Delay time to process

Here the delay time showing the last measured O₂ value from the data storage is frozen after test air or test gas has been applied (only when "Meas. value hold on cal. is set to on") This value also sets the time for showing the trend representation on the display after test air or test gas application after a sensor calibration is set.

4.2.8 Automatic Calibration (ACAL)

Automatic calibration enables a cyclic, time-based or remote controlled calibration (using the digital input) of the O₂ sensor. The ACAL can be globally switched on or off and can only be started from the main screen of the display.

When a 2 Point ACAL is set, a test gas bottle must be permanently connected and turned on.

	<p>Info</p> <p>Make sure that the test air and test gas volume and flow settings needed for calibration are correct. <u>For systems with flow monitoring:</u> The flow rates can be checked under System Checks → O₂ sensor check <u>For systems without flow monitoring:</u> Check the flow rates through an external flow meter and adjust to 150 - 180 l/h via an external throttle valve.</p>
---	---

4.2.9 Automatic Calibration Settings

Only when the ACAL is switched on, are the ACAL settings visible. The calibration method determines whether the ACAL is carried out as a 1 point calibration only with test air (instrument air or ambient air) or as a 2 point calibration with test air and test gas. Ambient air is preset to a fixed O₂ concentration of 20.95% and this value is not shown nor can it be changed.

The ACAL can be started by:

Time: Time based start with set intervals in days and the corresponding time

Time + Digital Input: Same as "Time", additionally a control voltage of 12-24V DC must be applied to the "calibration release" so that an automatic calibration can be started.

Digital Input: A control voltage of 12-24V DC must be applied to the "calibration release" so that an automatic calibration can be started. If the control voltage is still present after the calibration has ended, the calibration will immediately restart

4.2.10 REMOTE



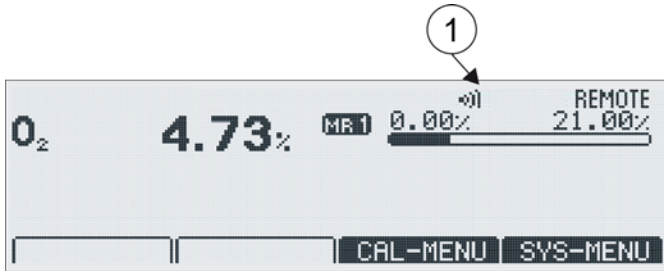
Info

If the REMOTE is set to "OFF", password and range are not displayed.

The REMOTE password is used for:

- authentication and pairing with a smartphone / tablet / laptop / pc.
- authentication / login after every connection. Without Authentication / login, device data cannot be read or modified. The device configuration can also not be altered.

Range limits the transmission power of the REMOTE module. **Maximum** = 100m, **medium** = 10m, **short** = 1m. The actual possible range may vary due to structural factors and the reception strength of the Smartphone/Tablet.



When a REMOTE connection to the analyzer is active, the connection is shown in the upper right corner of the display ①.

Figure 24 - REMOTE connection active



Info

A maximum of 16 users (smartphones /tablets) can connect to the REMOTE module of an analyzer.

Should additional users attempt a connection, the connection will fail. In this case, manually switch off the REMOTE and switch it back on again **SYS MENU => System configuration => REMOTE Settings** which will reset the module.

All previously paired users will need to delete their saved connection to the analyzer and re-pair their devices.

4.2.11 Measuring units

Measuring units can be set for temperature (°C / °F) and pressure (mbar / psi).

4.2.12 Language

Set the language for all text shown on the display. One can choose between English, German, Spanish and Polish.

4.2.13 Change system code



Info

The system code on delivery is 0000. In this state, entry into the system is granted without entering the system code. For security reasons, change the code and store it in safety. In case of loss of the system code, a system reset has to be carried out. The reset process may only be carried out by trained service technicians. As an option, a 6 digit code is available.

4.2.14 Load factory settings





Loading factory settings will restore all original settings and values to the default values programmed in the factory. If activated, all set parameters and also values such as sensor calibration values and calibration results are lost. Take note of the sensor calibration values beforehand and re-enter them after the loading the factory settings. If this is not done, a calibration has to be carried out.

4.2.15 Service (Factory Service Settings)

The service functions are password protected and are only accessible by trained service personnel. These functions are protected with a code, different to the system code.

4.3 Calibration Menu

CAL MENU

-  1 point calibration, O₂
-  2 point calibration, O₂
- 
- 

4.3.1 Calibration Menu - Display Overview

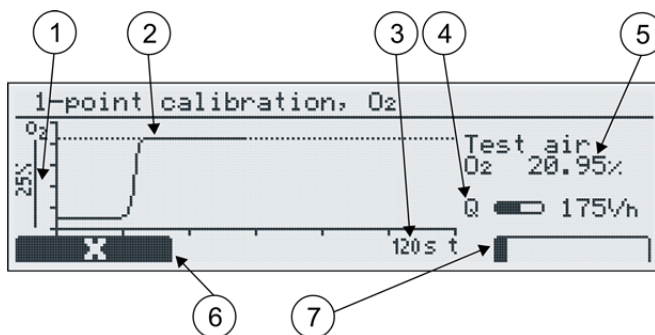




Figure 25 - display of a 1 Point Calibration

①	The max. adjustable measuring range
②	Trend representation of measured O ₂ value  and O ₂ target value  The target value is determined by the O ₂ concentration in the test gas / test air
③	Time scale showing the elapsed time of the current calibration process. The amount in seconds (here 120 s) refers to the end of the time scale
④	The flow rate currently measured
⑤	Current measured value of O ₂
⑥	Abort the calibration
⑦	Progress bar

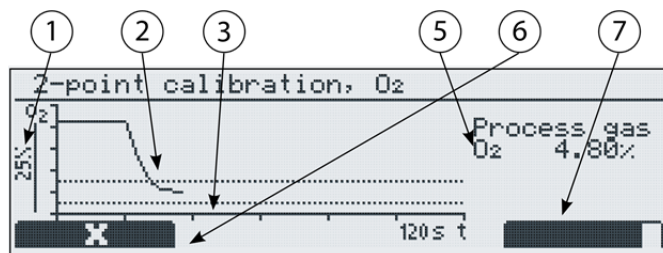
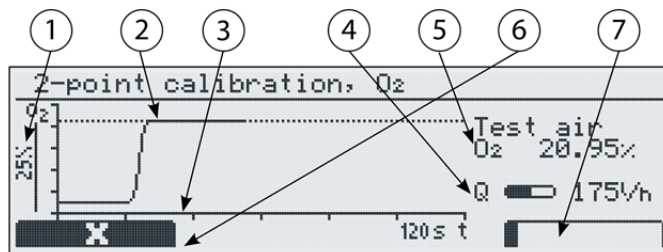
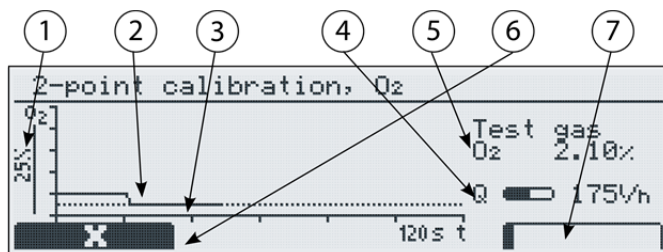


Figure 26 - The 3 phases of a 2 point calibration, Test Gas apply, Test Air apply and Return to Process gas.



Info

The oxygen concentration in test air needs not be entered as it is known (20,95 % O₂).
During calibration, entry of the test gas concentration value takes place after test gas has been applied.

4.3.2 1-point calibration (manual)

During the 1-point calibration of the sensor, the calibration offset is determined. Test air is hereby applied to the sensor. In systems without an integrated pneumatic unit, test gas needs to be applied manually and the flow control also may need to be checked and adjusted if necessary.

Course of events

- (1) Enter System Code
- (2) Maintenance LED is lit
- (3) Prompt to apply test air (*only for systems without flow monitoring*)
- (4) The calibration process is carried out with test air
- (5) Prompt to end the test air application. (*only for systems without flow monitoring*)
- (6) Display of the return to process if the difference between the measured concentration in the process and the O₂ concentration with test air is more than 3.00%.
- (7) Enter the O₂ concentration of test gas (*does not apply to test air*)
- (8) Display of the calibration results (max. 1 minute)
- (9) Maintenance LED switches off (*is delayed by the set value in "Delay time to process" if "Meas. Value hold on cal" is set ON*)
- (10) Revert to main display

4.3.3 2-point calibration (manual)

During the 2-point calibration of the sensor, the calibration offset and slope is determined. Hereby two gases are applied to the sensor (test air and test gas). In systems without integrated pneumatic units, test gas needs to be applied manually and the flow control also may need to be checked and adjusted if necessary.

Course of events

- (1) Enter System Code
- (2) Maintenance LED is lit
- (3) Prompt to apply test gas (*only for systems without flow monitoring*)
- (4) The calibration process is carried out
- (5) Prompt to apply test air (*only for systems without flow monitoring*)
- (6) The calibration process is carried out with test air
- (7) Prompt to end the test air application. (*only for systems without flow monitoring*)
- (8) Display of the return to process if the difference between the measured O₂ concentration in the process and the concentration with test air (test gas 1) is more than 3.00%.
- (9) Prompt to enter test gas concentration(s)
- (10) Display of the calibration results (max. 1 minute)
- (11) Maintenance LED switches off (*is delayed by the set value in "Delay time to process" if "Meas. Value hold on cal" is set ON*)
- (12) Revert to main display

4.4 System Checks

O₂ Sensor checks

Source: **Test air**

O₂ sensor .. mV = .. %

Flow rate .. l/h

Source: **Test gas**

O₂ sensor .. mV = .. %

Flow rate (3 bar max) .. l/h

Source: **Process**

O₂ sensor .. mV = .. %

Flow rate .. l/h



Check mA outputs

Set mA output 17A/B (mA)



Check relay outputs

Relay contact at 18A/B (opened / closed)

Relay contact at 19A/B (opened / closed)

Relay contact at 20A/B (opened / closed)

Relay contact at 21A/B (opened / closed)

Relay contact at 22A/B (opened / closed)



Check digital inputs

Input status at 25A/B

Input status at 27A/B



Check mA inputs

Check mA input at 29A/B



5 Service and Maintenance

5.1 Exchange fuses

	Warning De-energize system first!
--	---

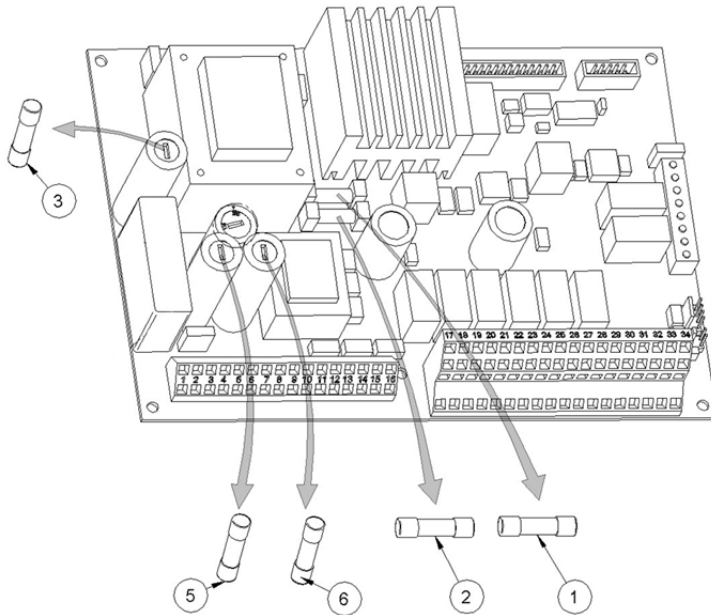
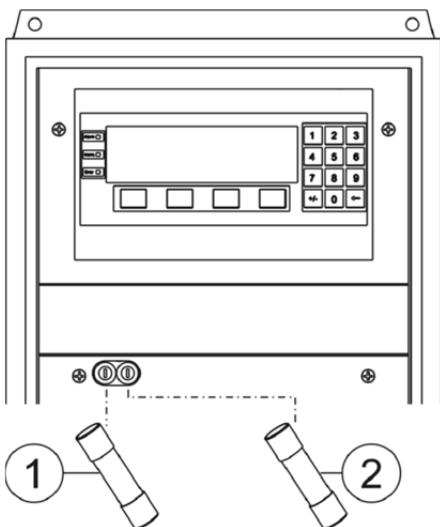


Figure 27 - Position of the fuses

Part	Current	Type of Fuse	Task
① F3	1 A	fast-acting 5x20 mm glass tube fuse	Protection of the electronic unit
② F4	1 A	fast-acting 5x20 mm glass tube fuse	Protection of the electronic unit
③ F5	1A	semi time-lag 5x20 mm glass tube fuse	Protection of the solenoid valve and ref. air and test air pumps
⑤ F1	6.3 A	semi time-lag 5x20 mm glass tube fuse	Protection of the entire system
⑥ F2	4 A	semi time-lag 5x20 mm glass tube fuse	Protection of the probe heater



No.	Article no.	Description
①	2089370	F1, Main Unit fuse 6,3A Semi time lag 5x20 mm (glass-tube fuse)
②	2089370	F2, Probe heater fuse 4A Semi time lag 5x20 mm (glass-tube fuse)

Figure 28 - Electronic unit main fuses

5.2 Flow rates for Test Air and Reference Air

The systems are factory-set to the correct amounts of test air and/or reference air. The instrument air versions are designed for an inlet pressure of 1-10 bar. With a higher inlet pressure of 6 bar, it is necessary to readjust the flow of reference air and/or test air.

The flow rates for air should be in the following range:

Test air: 150l/h - 180l/h

Reference air: 30l/h - 40l/h

5.3 Adjusting Flow Rate (integrated Pneumatics)

In the instrument air version in the Safe Area housing with an integrated pneumatic unit, it is possible to adjust the reference and test air at the electronic unit. In this respect, the pump and instrument air versions are different:

- In the pump version ambient air is used. Only the flow rate of test air can be adjusted.
- The instrument air version requires an external supply of clean, dry and oil free air (instrument air) Both flow rates (test air and reference air) can be adjusted.

In systems with integrated pneumatics unit, the flow rate of reference air can be seen in the menu actual measured values.

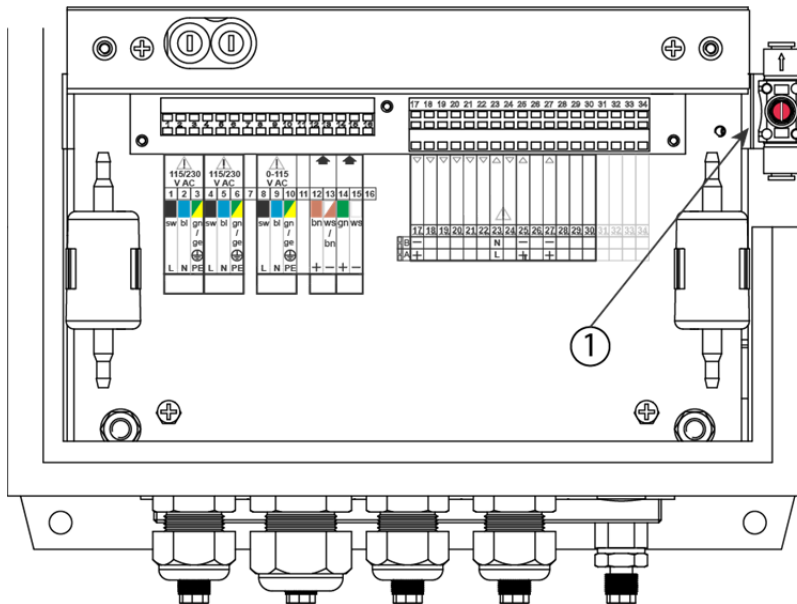


Figure 29 - Adjust flow of test air ① - (pump version)

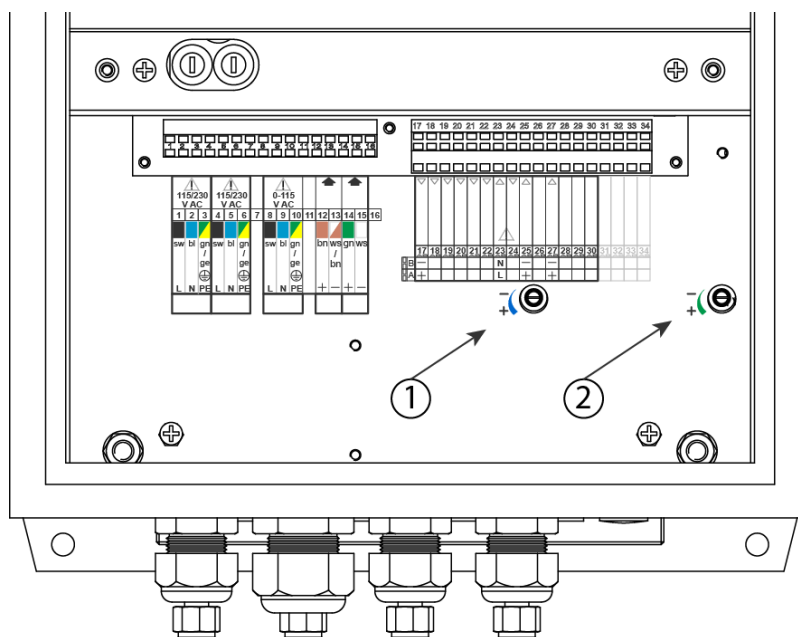


Figure 30- Adjust flow of reference air ① and test air ② - (instrument air version)

5.4 Position of the adjustment valves

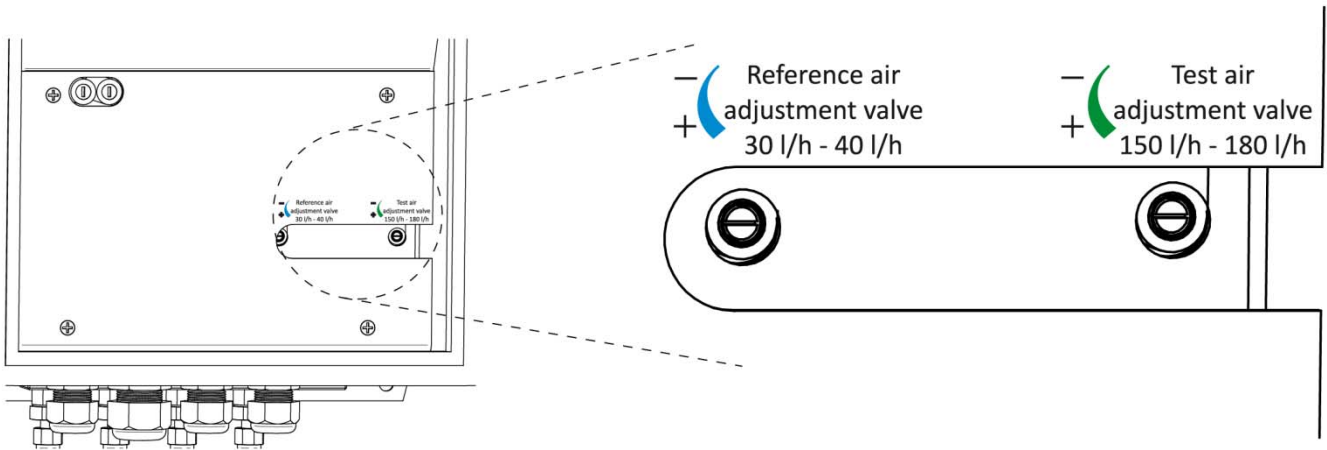


Figure 31- Terminal cover of the Electronic Unit showing the position of the reference air and test air valves below

5.5 Adjusting Flow Rate (19" 4HE)

With systems in 19" racks the reference air and test air quantity can be adjusted at the back of the electronic unit.

There are differences between the pump and the instrument air version:

- In the pump version, only the flow rate of test air can be adjusted.
- In the instrumental air version, both flow rates (test air and reference air) can be adjusted.

In systems with integrated pneumatics unit, the flow rate of reference air can be seen in the menu "Actual measured values".

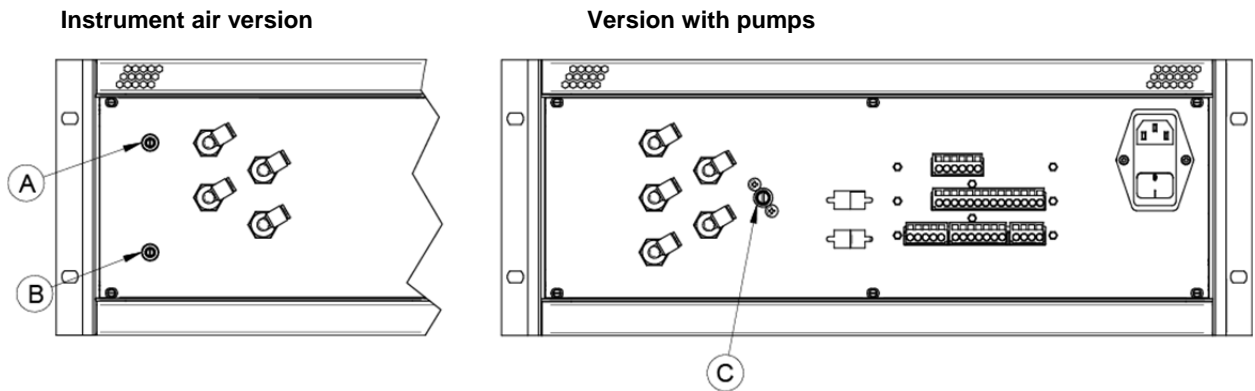



Figure 32 - Adjusting the flow rate at the 19" 4HE unit


A	Regulator Reference Air
B	Regulator Test Air
C	Regulator Test Air


5.6 Replacing the probe

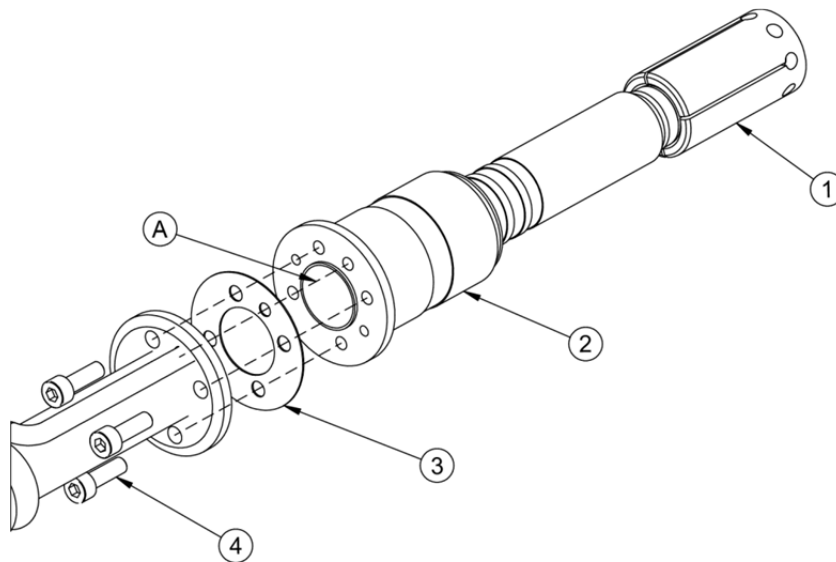
	<p>Warning Hot Surface</p> <p>The probe may only be removed with heat-insulated gloves. Before removing the probe, always switch off the supply voltage to the electronic system.</p>
---	--

1. Disconnect the wires at the probe connection box.
2. Loosen the bolts connecting the probe to the counter flange and remove the probe
3. Insert the replacement probe using a new gasket. Consider the flue gas direction and adjust the V-Shield (filter head) accordingly. See chapter **2.10 – Adjusting the V-Shield.**
4. Tighten the flange bolts and reconnect the wiring at the connection box.
5. Switch on the power to the analyzer and wait for the probe to reach its set point temperature.
6. Carry out a 2-point calibration (under process conditions)

5.7 Replacing the O₂ Sensor

	<p>Warning Hot Surface</p> <p>The probe may only be removed with heat-insulated gloves. Before removing the probe, always switch off the supply voltage to the electronic system. After removal, store the probe in a safe, protected place and wait until it has cooled down below 35°C/ 95°F.</p>
---	--

	<p>Note</p> <p>An exchange of the measuring cell is only necessary if the cell is leaking (erratic or incorrect measured values).</p>
--	--



Disconnect the wires in the connection head and loosen the 2 torx screws, which hold the inner parts of the tube. Pull off the thin transparent reference air pipe from the entry fitting at the connection box.

Pull out probe internal assembly carefully (4-hole ceramic rod with signal measuring wire, thermocouple element and heater)

Unscrew the 4 torx screws at the measuring cell holder with flange and remove the measuring cell.

Figure 33 - O₂ sensor replacement

①	Protection cap
②	Measuring cell holder with flange
③	Measuring cell flange gasket
④	Screws M5 x 12
A	Align the holes of the test gas tube, cell flange gasket and measuring cell, also aligning the threaded holes for the screws.

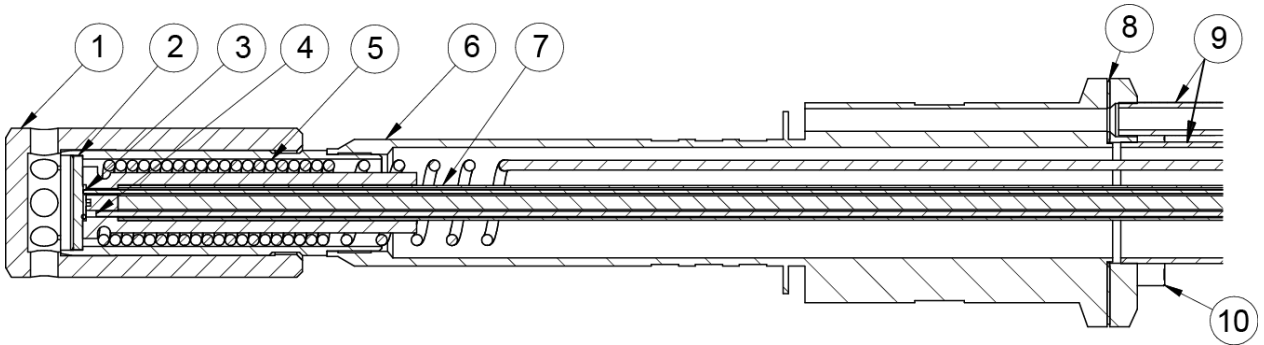
Service and Maintenance

Clean the flange at the probe tube with fine sandpaper. Tighten the new measuring cell with a new metal gasket sealing and four new screws at the measuring cell flange of the probe tube. Insert the probe inner parts and ensure that the inner parts do not bind in the probe tube. Press the locking bolt against the spring, so that the inner parts assembly is pressed against the measuring cell with enough spring tension.

Tighten locking bolt and connect wires as follows:

Terminal	Color	Description	Polarity	Unit
1	Green / yellow	signal wire, measuring cell	-	mV
2	Orange	signal wire, measuring cell	+	mV
3	Green	thermocouple element	+	mV
4	White	thermocouple element	-	mV
6	Black	heating element		
7	Blue	heating element		
8	Green / yellow	ground/earth heater		
9	Grey	solenoid valve (optional)		
10	Grey / blue	solenoid valve (optional)		

Install the probe; wait for the system to reach its operating temperature. Carry out an O₂ two point calibration after 2 hours of operation.

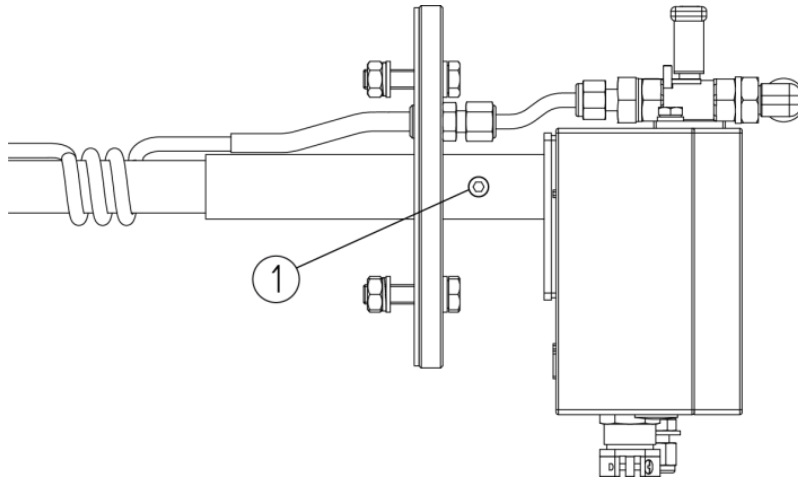


①	Protection cap	⑥	Cell tube
②	Cell	⑦	Ceramic rod
③	Signal wire	⑧	Flange gasket
④	Thermocouple	⑨	Probe tube
⑤	Heater	⑩	Screw M5

Figure 34 - Construction of the O₂ sensor holding tube

5.8 Exchange of Probe Inner Parts

Proceed as described in **chapter 5.7** to dismantle the probe inner parts assembly. The exchange of the thermocouple element is an exception, because this can be changed without dismounting the probe inner part as a whole.



Disconnect the wires in the connection box and loosen the 2 allen screws **1**, which hold the inner parts of the probe. Pull off the thin transparent reference air pipe from the entry fitting at the connection box.

Pull out probe internal assembly carefully (4-hole ceramic rod with signal measuring wire, thermocouple element and heater)

Figure 35 – Loosen the allen screws holding the probe inner part

5.9 Relay Outputs / Functions and Correlation

The relay contacts are designed for 24V and 1A ~, 1A = (Exception: probe valve)

Relay	Contact	Function	Terminal
System error*	Normally closed	Signals operation-critical errors	X5 (19A/B)
Maintenance	Normally open	System code entered, system in maintenance mode	X5 (18A/B)
Measuring range	Normally open	Closed: Measuring range 1 active	X5 (20A/B)
Probe valve**	Normally open	Triggering of the probe valve	X5 (24A/B)
Limit value 1	Normally closed	Signals a violation of limit value 1	X5 (21A/B)
Limit value 2	Normally closed	Signals a violation of limit value 2	X5 (22A/B)

Relay outputs and functions

- The relay „system error“ is active also during the heating phase.

** The relay contact for the probe valve is designed for max. 230V and 1A \approx .

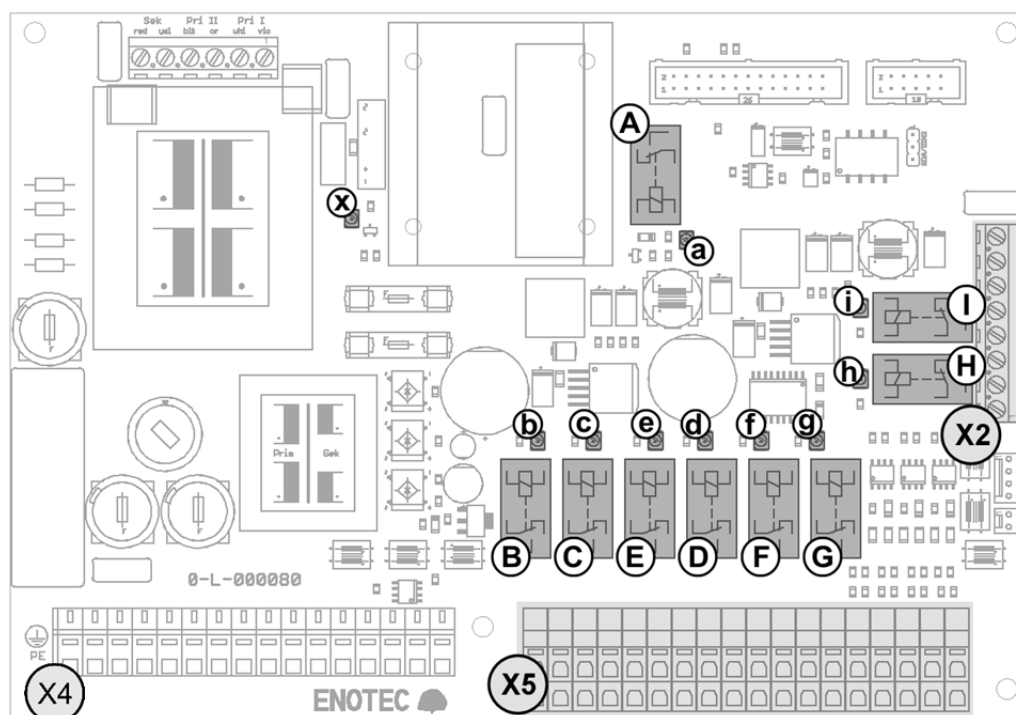


Figure 36 - Relay plate with marked relays and LEDs

Relay marking	LED Marking	Function
A	a	Probe heater relay
B	b	Maintenance
C	c	System error
D	d	Limit O ₂ 1
E	e	Measuring range
F	f	Limit O ₂ 2
G	g	Probe valve
H	h	Solenoid valve test gas 1
I	i	Solenoid valve test gas 2
	x	Probe heater control

5.10 Digital Inputs

The digital inputs are designed for a direct voltage of 12 V - 24 V DC for logical "High". Logical "Low" corresponds to a voltage less than 1 V.

Digital input	Function
Calibration release	External release for calibration with ACAL
Measuring range switch	Switching on the second measuring range

5.11 Stability Criteria for Calibration

During calibration, the cell is checked for stability. This check operates according to the following criteria.

The last measured value is always temporarily saved. When the next value is outside the tolerance, the internal timer is reset and the new value temporarily saved. This means that if the timer was not reset, the value is stable. In this way, the last measured value after the timer has elapsed (2 min.) is used to calculate the cell constant or slope.

5.12 Reaction Time of the mA Output

The reaction time of the mA output to a change of the O₂ cell input voltage is less than 200 ms.

5.13 Extension Modules

As an option, the electronic unit is available with several interfaces (RS232, RS485, HART, Fieldbus). If one of these options is ordered you will find a separate manual/specification for the respective interface together with the shipment.

5.14 Maintenance Intervals

In general, maintenance as well as the maintenance intervals always depends on the flue or process gas conditions in which the probe is installed. Maintenance intervals may therefore vary between a few months up to a few years.

The biggest influencing factors are the presence of corrosive ingredients such as SO₂ or HCl, a continuous reducing atmosphere (reduced oxygen concentration, increased levels of combustibles) and the characteristics of the solid components in the flue gas.

These may have the following effects: chemical or mechanical destruction of the probe, clogging of the filter element or accelerated aging of the sensor. This may lead to a distortion of the measured values as well as an increase in the response time, which can in turn lead to false process operation afterwards.

For this reason, a sensor check is recommended with test gas and test air every six months. If a significant deviation between the values obtained and those presently anticipated, a 2-point calibration should be carried out. A visual inspection of the probe should be conducted at least annually, which includes cleaning of the filter element if necessary.

Notwithstanding these recommendations, the operator must define an appropriate maintenance interval which reflects the criticality of the measurement and the process.

6 Status Messages

6.1 Error Messages

Error Message	Relay contact	O ₂ signal output	Description
Hardware error 1-7	System error, open	2.00 mA, when not set differently	The error can occur at any time and signalizes a failure of one of the electronic components. The O ₂ sensor heater is switched off. Contact a service point, if the error returns after restarting the system.
Open circuit thermocouple	System error, open	2.00 mA, when not set differently	The error can occur at any time and signals a break in the circuit of the thermocouple. The O ₂ sensor heater is switched off. Once the fault has been corrected, the error can be reset. Possible causes: contact problems of the thermocouple wire to the terminal points of the electronics or the sensor, sensor cable is damaged or the thermocouple is defective.
O ₂ probe set point temp. not reached	System error, open	2.00 mA, when not set differently	The error can occur during the heating of the O ₂ sensor (Max. 90 minutes). The O ₂ sensor heater is switched off. An error reset can be carried out by the user in order to restart the heating process. Possible causes: F2 fuse defective, contact problem of the O ₂ sensor heater wire to the terminal points of the electronics or the sensor, sensor cable is damaged, short-circuited thermocouple, reference air flow greater than 60 l / h, power supply too low, flow rate too high and / or temperature in the process too low , electronic failure.
O ₂ probe temperature too low	System error, open	2.00 mA, when not set differently	The error can occur during measurement, indicating that the O ₂ sensor temperature drops 20 ° C (68 ° F) below the set point temperature. The O ₂ sensor heater is switched off. An error reset can be carried out by the user in order to restart the heating process. Possible causes: F2 fuse defective, contact problem of the O ₂ sensor heater wire to the terminal points of the electronics or the sensor, sensor cable is damaged, short-circuit thermocouple, reference air flow greater than 60 l / h, power supply too low, flow rate too high and / or temperature in the process too low, electronic failure.
O ₂ probe temperature too high	System error, open	2.00 mA, when not set differently	The error can occur during measurement, indicating that the O ₂ sensor temperature has risen 20 ° C (68 ° F) above the set point temperature. The O ₂ sensor heater is switched off. An error reset can be carried out by the user in order to restart the heating process. Possible causes: Process temperature too high, O ₂ sensor cable to the transmitter connected incorrectly, electronic failure.
Open circuit O ₂ sensor	System error, open	2.00 mA, when not set differently	The error can occur at any time and signals a break in the circuit of the O ₂ sensor. Once the fault has been corrected, the error can be reset. Possible causes: contact problem of the O ₂ sensor wire to the terminal points of the electronics and the probe, probe cable is defective, contact problem of the probe the inner part of the O ₂ sensor.
O ₂ sensor calibration failed	System error, open		O ₂ sensor calibration has failed for one of the following reasons. An error reset can be carried out by the user. All corresponding entries are then reset as well.
Test gas flow rate too low	System error, open		The error can occur during an O ₂ sensor calibration and signals an insufficient test gas flow. An error reset can be carried out by the user. A successful re-calibration also resets the error. Possible causes: test gas bottle empty, test gas flow incorrectly set, instrument air supply to the system does not exist.
Test gas flow rate too high	System error, open		The error can occur during an O ₂ sensor calibration and signals a test gas flow which is too high. An error reset can be carried out by the user. A successful re-calibration also resets the error. Possible causes: test gas bottle empty, test gas flow incorrectly set, instrument air supply to the system does not exist.
O ₂ sensor offset too low	System error, open		The error can only occur only during an O ₂ sensor calibration. An error reset can be carried out by the user. A successful re-calibration also resets the error. Possible causes: inadequate reference air supply, process pressure is too high, incorrect test gas, O ₂ sensor defective.

Error Messages (cont.)

Error Message	Relay contact	O ₂ signal output	Description
O ₂ sensor offset too high	System error, open		The error can only occur during an O ₂ sensor calibration. An error reset can be carried out by the user. A successful re-calibration also resets the error. Possible causes: defective false test gas (not applicable with test air), test gas flow too low, O ₂ sensor defective.
O ₂ sensor slope too low	System error, open		The error can only occur only during an O ₂ sensor calibration. An error reset can be carried out by the user. A successful re-calibration also resets the error. Possible causes: Incorrect calibration gas, test gas flow too low, probe filter damaged, filter head missing, faulty O ₂ sensor.
O ₂ sensor slope too high	System error, open		The error can only occur only during an O ₂ sensor calibration. An error reset can be carried out by the user. A successful re-calibration also resets the error. Possible causes: Incorrect calibration gas, O ₂ sensor defective.
O ₂ sensor signal instable	System error, open		The error can only occur only during an O ₂ sensor calibration. An error reset can be carried out by the user. A successful re-calibration also resets the error. Possible causes: test gas flow too low, probe filter is damaged, process pressure fluctuations too high.
mA input for process pressure	System error, open		Circuit open or pressure transmitter signal less than 3.6 mA / greater than 20.4 mA
Error REMOTE module	System error, open		Indicates a hardware error of the REMOTE module. Possible cause: the REMOTE module is defective.

Unlisted errors: Other errors cannot be remedied by the customer. Please contact a service point

6.2 Alarm Messages

Error Message	Relay contact	Description
Reference air flow too low		Possible Cause: reference air flow set incorrectly, instrument air supply is inadequate, reference air pump is faulty.
Reference air flow too high		Possible Cause: reference air flow is set incorrectly.
O ₂ limit alarm 1	O ₂ limit alarm 1, open	Possible Cause: Over or under range of the O ₂ limit alarm.
O ₂ limit alarm 2	O ₂ limit alarm 2, open	Possible Cause: Over or under range of the O ₂ limit alarm.
Electronic temp. too low		Possible Cause: The ambient temperature of the transmitter is lower than the specified lower limit. The specified measurement tolerances are no longer guaranteed.
Electronic temp. too high		Possible Cause: The ambient temperature of the transmitter is higher than the specified upper limit. The specified measurement tolerances are no longer guaranteed.
Clock battery low		The alarm can only be reset by the user after replacing the clock battery (Lithium type 2032). As long as the system is connected to AC power, the alarm has no impact. Only after restarting system will the time / date be incorrect. A possible timed automatic calibration can no longer work correctly.

Unlisted alarm messages: Other messages cannot be remedied by the customer. Please contact a service point

6.3 Maintenance Messages

Maintenance message	Relay contact	Description
Measured value(s) held	Service, closed	When measured values held is set to on, the determined O ₂ -mA output remains saved for a duration before a calibration.

7 Troubleshooting

Unsteady, widely varying measuring value (O₂)

Possible reasons	Procedure
Intermittent contact caused by wire breakage	Eliminate bad/loose contact
Intermittent contact inside the probe - internal mV connection	
Broken filter element	Visual inspection by dismounting the probe
Wrongly installed V-shield	
Probe has been installed without filter head	
Intermittent contact inside the probe – low spring tension for the O ₂ signal contact wire internally	Check the spring tension

O₂ display remains at the end of the measuring range or is higher than expected

Possible reasons	Procedure
Leakages at the measuring probe or at the O ₂ sensor flange seal.	Check all flanges and screw connections for tightness. Exchange O ₂ sensor or replace O ₂ sensor flange seal. In case of a leakage in the area of the O ₂ sensor, the O ₂ sensor must be exchanged.
Probe flange not gas tight.	Tighten flange bolts with required torque, possible renew the gasket.

Local Displays correct, Output not correct

Possible reasons	Procedure
Electronic unit is defective	Check measuring range. Check whether the current value is outside the measuring range
	Measure the mA output on the strip terminal.

O₂ Display Indicates 0 %, although the Process Operation Mode expects a higher O₂ Value

Possible reasons	Procedure
Measuring probe heater defective (resistance must be approx. 37.5-47.5 Ohm, disconnect probe and check).	Check the measuring cell temperature (set value 800°C/1472°F. A lower temperature could have the effect of showing a value of 0 %.
Thermocouple defective (check resistance, approx. 2-80 Ohm).	Check the mV value of the O ₂ measuring cell
Fuse for heater voltage defective.	Replace the fuse
Cable short circuit. Electronic units input defective. Wire break	Check wiring. Measure probe cable.
Transformer (230/115V) is defective	Check the fuse
There is no mV contact in the probe (measuring signal wire) or it is interrupted. Combustibles in the flue gas. Measuring cell defective	Check whether the probe reacts to test gas. If it does, there may be a high proportion of combustibles in the flue gas. In this case, there are reducing conditions at the probe sensor, which reduce the oxygen content at the sensor surface. Caution: Explosion hazard!

A Technical Data

A.1 Technical Specifications - Electronic Unit

Housing:	Sheet steel ST37 RAL2004 (19" rack optional) (GRP optional)
IP Code:	Safe Area Housing: IP66 GFK cabinet: IP66 19" housing: IP20
Display:	LC Dot Matrix 240 x 64 LED backlit
Keypad:	Membrane keypad
Signal LEDs:	Alarm, Maintenance, Error
O₂ measuring ranges:	2 x 0,00 to 25,00 Vol.% O ₂
Accuracy:	± 0,2 % of measured value
Response time:	Change of 100mV at sensor input < 200ms
Manual or ACAL (Automatic calibration):	1 or 2 point (automatic calibration)
Mains Voltage:	230V ±10 % 50 to 60 Hz 115V ±10 % 50 to 60 Hz (see Name Plate)
Power consumption:	400 VA (heating phase) 200 VA (typical measuring mode)
Recommended fuse:	10A
Output signal O₂:	Active, 0/4 to 20 mA max. load 500 Ω
Relay contact:	24 V AC/DC, 1 A
Relay contact solenoid valve:	230 V AC/DC, 1 A
Dimensions (W x H x D):	300 x 440 x 240 mm (W x H x D) - (standard field housing) 482,6 x 177 x 400 mm (W x H x D) - (19" rack)
Weight:	Approx. 19 kg Approx. 12 kg (19" rack)
Temperature range - storage: *	-40 °C to +80 °C
Temperature range - operation: *	-20 °C to +55 °C (Pump version -20°C to +50°C)

* Other temperature ranges on request

A.2 Technical Specifications - Probe


Process gas temperature:	ZIRKOR200: up to 600°C (For all probes - up to 1600°C with cooling protection tube)
Insertion depth:	ZIRKOR200, length 1: 520 mm ZIRKOR200, length 2: 950 mm ZIRKOR200, length 3: 1835 mm ZIRKOR200, length 4: 2768 mm ZIRKOR200, length 5: 3682 mm
Immersion depth with cooling tube:	500 mm / 1000 mm Others on request
Measuring principle:	Zirconium oxide
Operating temperature O₂ sensor:	800 °C
Raw signals from O₂ sensor:	Air (20,95 % O ₂): 0 mV ± 1mV 2,1 % O ₂ : 50 mV ± 1 mV
O₂ Sensor Reference Air:	Instrument air 40 l/h Adjustment at electronic unit
Process gas pressure:	-50 to +50mbar
Flow Velocity:	0 to 50m/s
Ambient temperature:	-40°C to +80°C
Reaction Time:	0,5s (Process flow velocity > 10m/sec.)
T90:	5s (Process flow velocity > 10m/sec.)
Probe material:	V4A (DIN 1.4571 / SS316Ti)
IP Code:	IP65
Detection limit:	< 1ppm O ₂
Power supply:	Through electronic unit

A.3 Gas Supply - Systems with Instrument Air

The analyzer system uses the connected instrument air continuously for the supply of reference air, and during calibration and system test respectively, for the supply of test air (test gas 1).

Instrument air supply for reference air / test air	
Specification:	According to ISO 8573-1 class 2 (Particle size max. 1µm, Particle density max. 1mg/m ³ , Oil content max. 0,1mg/m ³ , Pressure dew point max. -40 °C) Constant 20,95 Vol % O ₂
Input pressure:	2-10 bar
Flow rate	continuously maximum 40 l/h (for reference air supply) 180 l/h during calibration

Test gas (test gas bottle) for calibration / system test	
Input pressure:	max. 3 bar
Specification test gas 1 (optional):	21 Vol. % O ₂ in N ₂ (synthetic air – in case instrument air is not available)
Specification test gas 2:	2.1 Vol. % O ₂ in N ₂ (accuracy +/- 2%)
Flow rate	180 l/h at 1,1 bar (+/- 0,1).

	<p>Note</p> <p>The flow rate of the test gas bottle is set via the bottle pressure regulator.</p>
---	--

B Dimensional drawings

B.1 Dimensions of Electronic Unit Housing versions

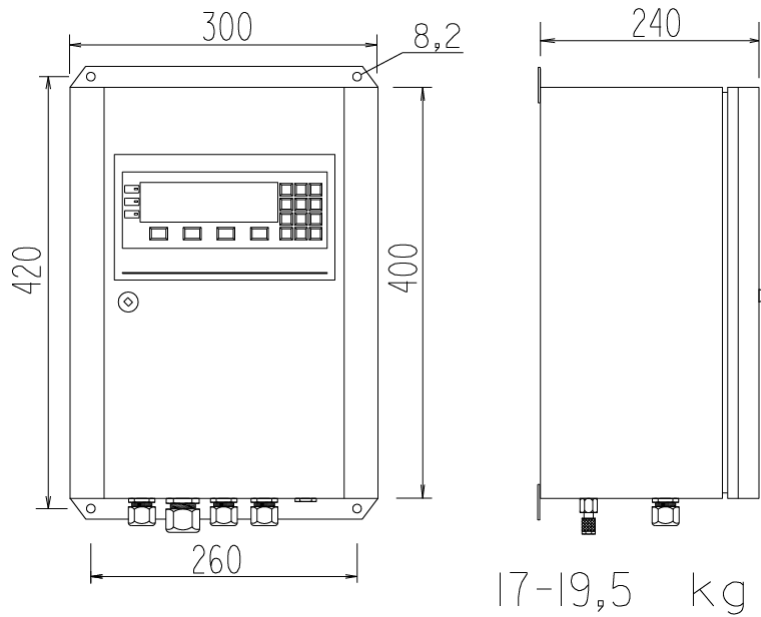


Figure 37 – Dimensions in mm of the field housing

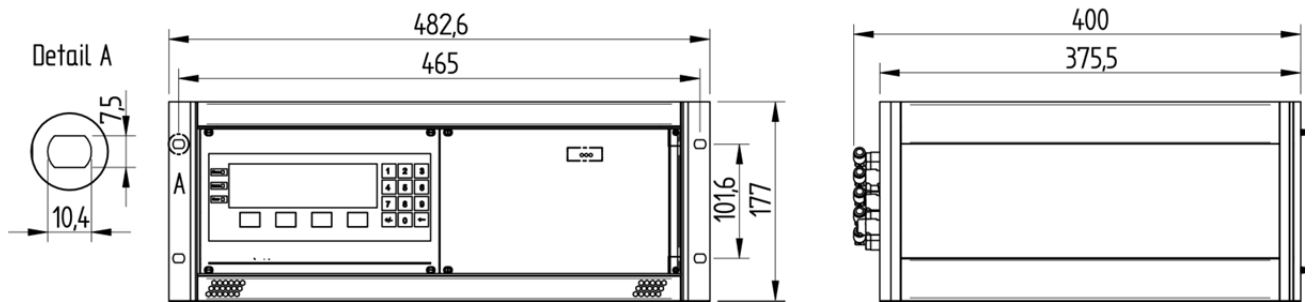


Figure 38 - Dimensions in mm of the 19" 4HE electronic unit

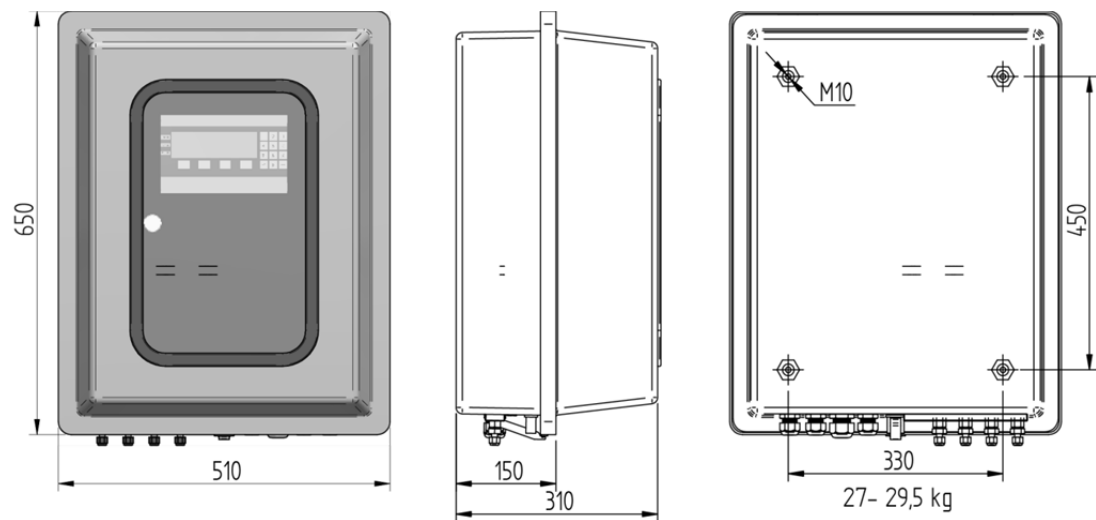


Figure 39 – GRP protective housing (optional) - Dimensions in mm

B.2 Probe Dimensions

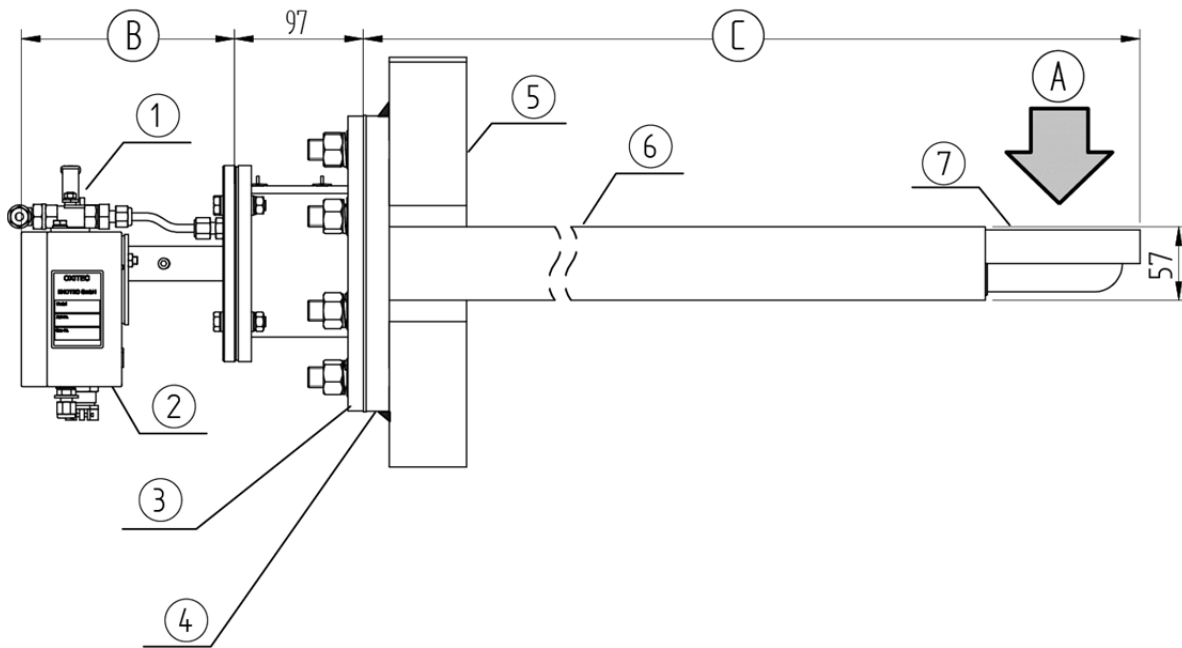


Figure 40 - Dimensions of the ZIRKOR200, probe lengths 1 – 2 (dimensions in mm)

①	Test gas valve/Solenoid valve (Optional)		
②	Connection box		
③	Protection tube flange		
④	Counter flange (welded gas tight)		
⑤	Duct wall		
⑥	Protection tube		
⑦	V-shield		
Ⓐ	Flue gas - max. 600°C		
		Length 1	Length 2
Ⓑ		135 mm	150 mm
Ⓒ	Insertion depth	520 mm	950 mm
	Weight	11 kg	13 kg

Dimensional drawings

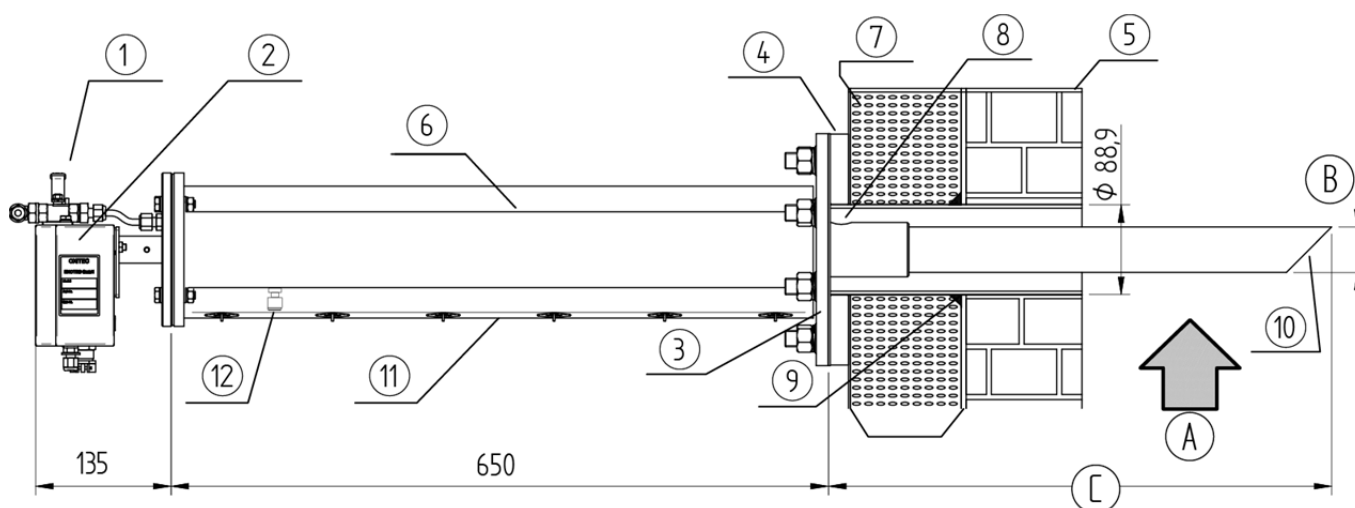


Figure 41 - Dimensions of the ZIRKOR200, probe length 1 with cooling protection tube (dimensions in mm)

①	Test gas valve/Solenoid valve (Optional)				
②	Connection box				
③	Protection tube flange				
④	Counter flange				
⑤	Duct wall				
⑥	Cooling protection tube				
⑦	Insulation				
⑧	Gas outlet (do not block)				
⑨	Welded gas tight				
⑩	Gas entry				
⑪	Insulation jacket				
⑫	Suction connection				
⑬	Steel cover				
		PROTEC	INCOLOY		
Ⓐ	Flue gas temp. max. *	1400 °C	1050 °C		
Ⓑ	Diameter	45 mm	48 mm		
		Length 1	Length 2	Length 1	Length 2
Ⓒ	Insertion depth	500 mm	1000 mm	500 mm	1000 mm
	Weight	19,1 kg	20,2 kg	20,0 kg	21,5 kg

* On demand up to 1600 °C (Al₂O₃)

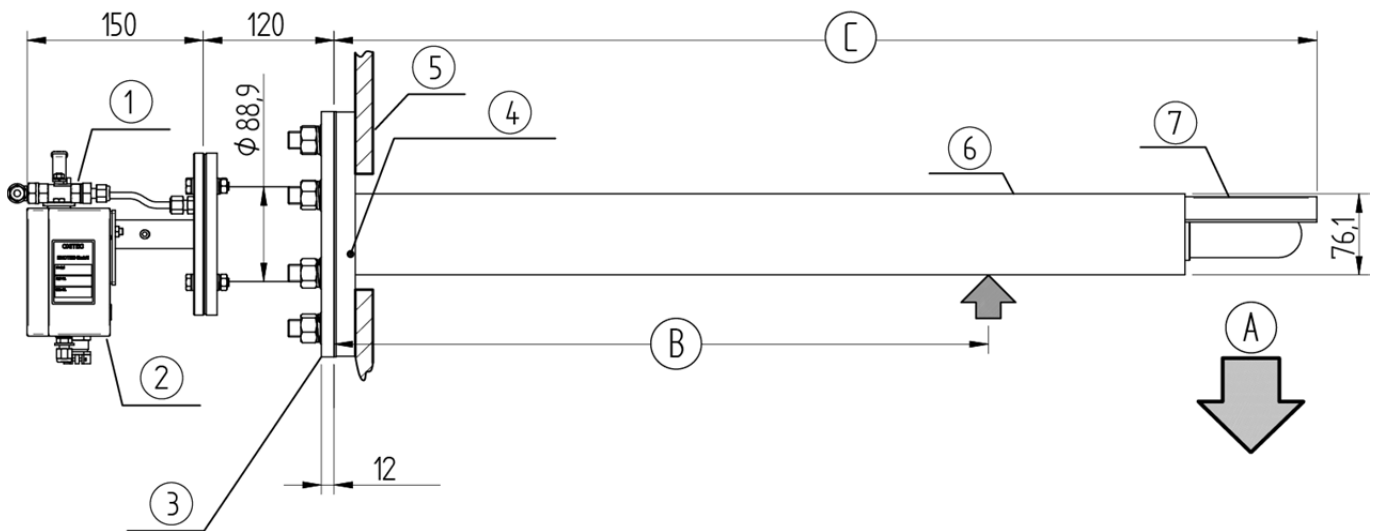


Figure 42 - Dimensions of the ZIRKOR200, probe lengths 3 - 5 (dimensions in mm)

①	Test gas valve/Solenoid valve (Optional)			
②	Connection box			
③	Protection tube flange			
④	Counter flange (welded gas tight)			
⑤	Duct wall			
⑥	Protection tube			
⑦	V-shield			
Ⓐ	Flue gas - max. 600°C			
		Length 3	Length 4	Length 5
Ⓑ	From probe length 4 and longer, an on-site support is required			
Ⓒ	Insertion depth	1835 mm	2768 mm	3682 mm
	Weight	17,5	21,1 kg	25,0 kg

B.3 Counter Flange Dimensions

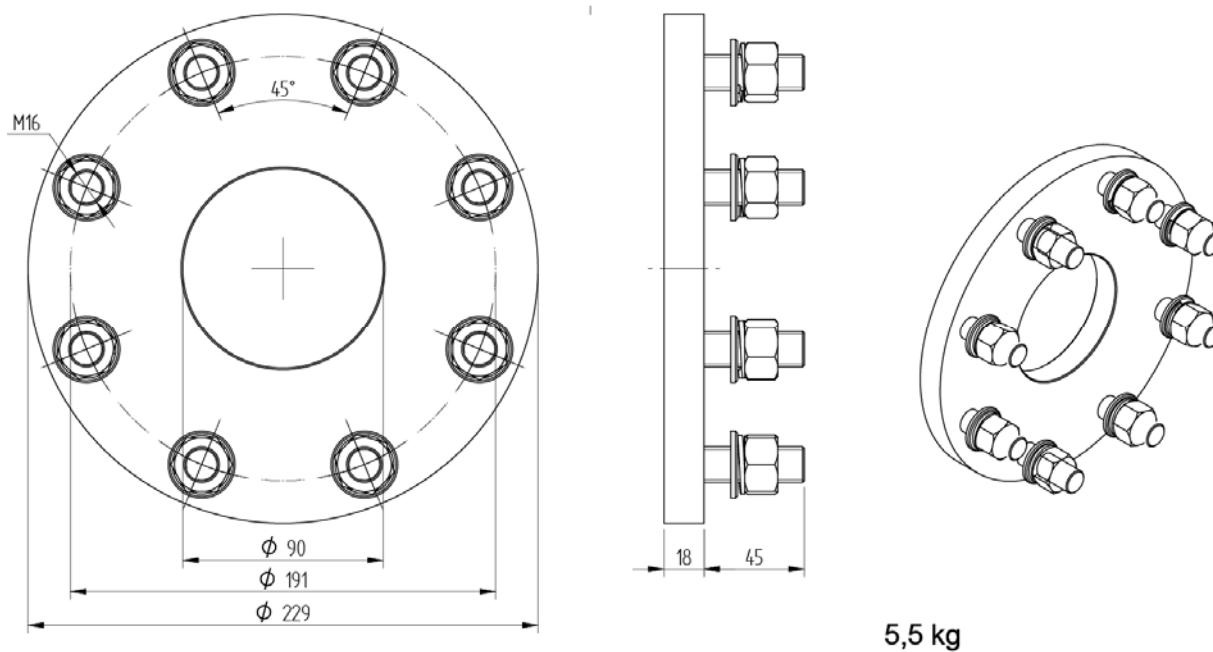


Figure 43 - Dimensions of the counter flange

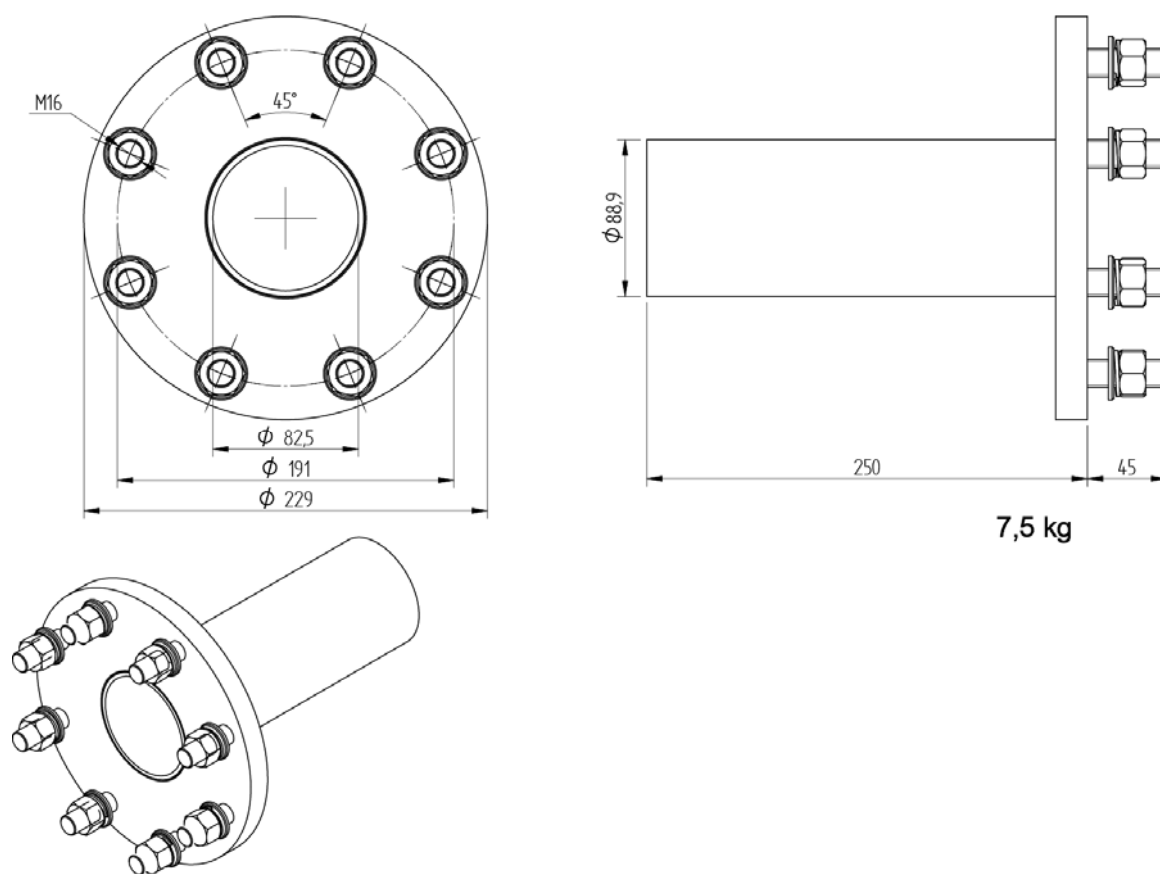
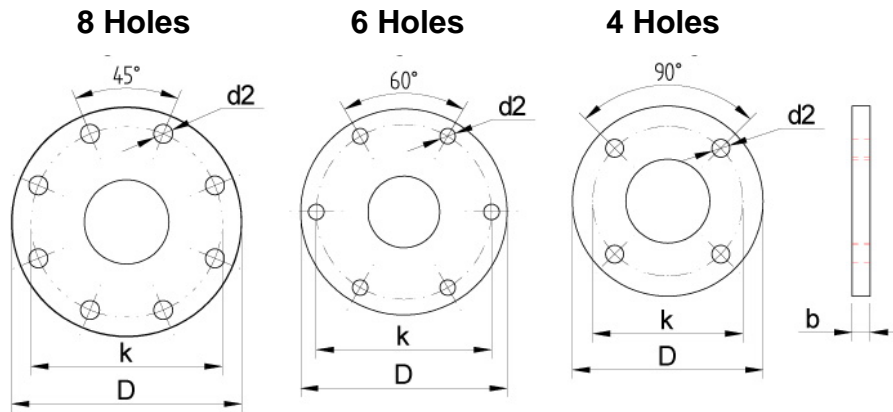


Figure 44 - Dimensions of counter flange with tube (others on request)

B.4 Dimensions of protection tube flanges



Abmessungen Dimensions Flanschttyp Type of flange	D	b	k	d2	Bohr. holes
ANSI 4" 150lbs FF eq Best.-Nr. /Order code: A	228,6 (9,00)	12,5 (0,50)	190,5 (7,50)	19,0 (0,75)	8
DIN2527 DN65/PN16 Best.-Nr. /Order code: B	185,0 (7,28)	18,0 (0,71)	145,0 (5,71)	18,0 (0,71)	4
DIN2527 DN65/PN6 Best.-Nr. /Order code: C	160,0 (6,27)	14,0 (0,55)	130,0 (5,12)	14,0 (0,55)	4
ANSI 2" 150lbs FF eq Best.-Nr. /Order code: D	153,0 (6,00)	12,5 (0,50)	121,0 (4,75)	20,0 (0,78)	4
DIN2527 DN50/PN16 Best.-Nr. /Order code: E	165,0 (6,47)	18,0 (0,71)	125,0 (4,90)	18,0 (0,71)	4
ANSI 3" 300lbs Best.-Nr. /Order code: F	209,5 (8,25)	28,6 (1,13)	168,3 (6,63)	22,2 (0,87)	8
ZFG2 probes eq. Best.-Nr. /Order code: G	165,0 (6,47)	12,0 (0,47)	140,0 (5,49)	12,5 (0,50)	6
DIN2527 DN80/PN16 Best.-Nr. /Order code: H	200,0 (7,87)	20,0 (0,79)	160,0 (6,29)	18,0 (0,71)	8
Mod. 132 eq. Best.-Nr. /Order code: I	127,0 (4,98)	8,0 (0,31)	99,0 (3,88)	9,0 (0,35)	4
ANSI 3" 150lbs Best.-Nr. /Order code: J	190,5 (7,50)	23,9 (0,94)	152,4 (6,00)	19,1 (0,75)	4
DIN2527 DN100/PN2 Best.-Nr. /Order code: K	235,0 (9,25)	24,0 (0,95)	190,0 (7,48)	22,0 (0,86)	8
Servomex 700 eq Best.-Nr. /Order code: N	155,0 (6,10)		120,6 (4,75)	11,0 (0,43)	8
Servomex 790M eq Best.-Nr. /Order code: P	220,0 (8,66)		186,0 (7,32)	11,0 (0,43)	4
DIN2527 DN100/PN1 Best.-Nr. /Order code: R	220,0 (8,66)	20,0 (0,79)	180,0 (7,09)	18,0 (0,71)	8
ANSI 4" 150lbs RF Best.-Nr. /Order code: T	228,6 (9,00)	23,9 (0,94)	190,5 (7,50)	19,1 (0,75)	8
Kundenspez./Customer spec. Best.-Nr. /Order code: X					

Figure 45 - Dimensions of protection tube flanges

Protection tube flange
Mat.: DIN 1.4571 / AISI 316 Ti
Dimensions: see table
Outside diameter protection tube:
57mm/76,1mm

Data subject to change without notice.

C Spare Parts

C.1 Probe Components Probe lengths 1 - 2

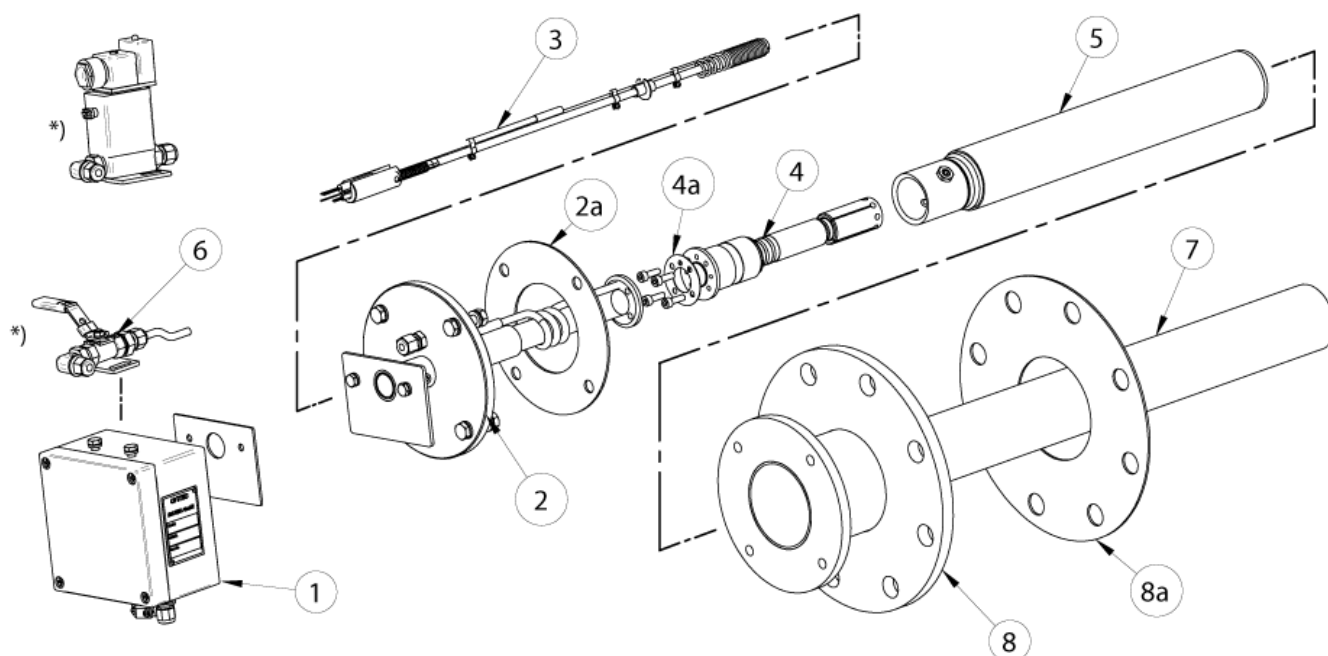


Figure 46 - Probe Components Probe lengths 1 - 2

No.	Part	Part No.
1	Connection Box	2089298
2	Measuring probe tube	Length 1 - 2089308 Length 2 - 2089309
2a	Probe flange gasket	2089294
3	Probe inner part	Length 1 - 2089270 Length 2 - 2089271
4	Oxygen measuring cell	2089289
4a	Measuring cell gasket	2089295
5	Filter head	Ceramic filter 2089344 Ceramic filter for vertical installation 2089362 Basalt filter 2089363 Basalt filter 2089364 Sintered metal filter 2089365 Sintered metal filter with flame arrestor 2089366 Sintered metal filter for vertical installation 2089368
6	*)Test gas valve / *) Solenoid valve	Please inquire at SICK.
7	Protection Tube	Please inquire at SICK.
8	Protection tube flange	Please inquire at SICK.
8a	Protection tube flange gasket("A")	2089296

C.2 Probe Components Probe lengths 3 - 5

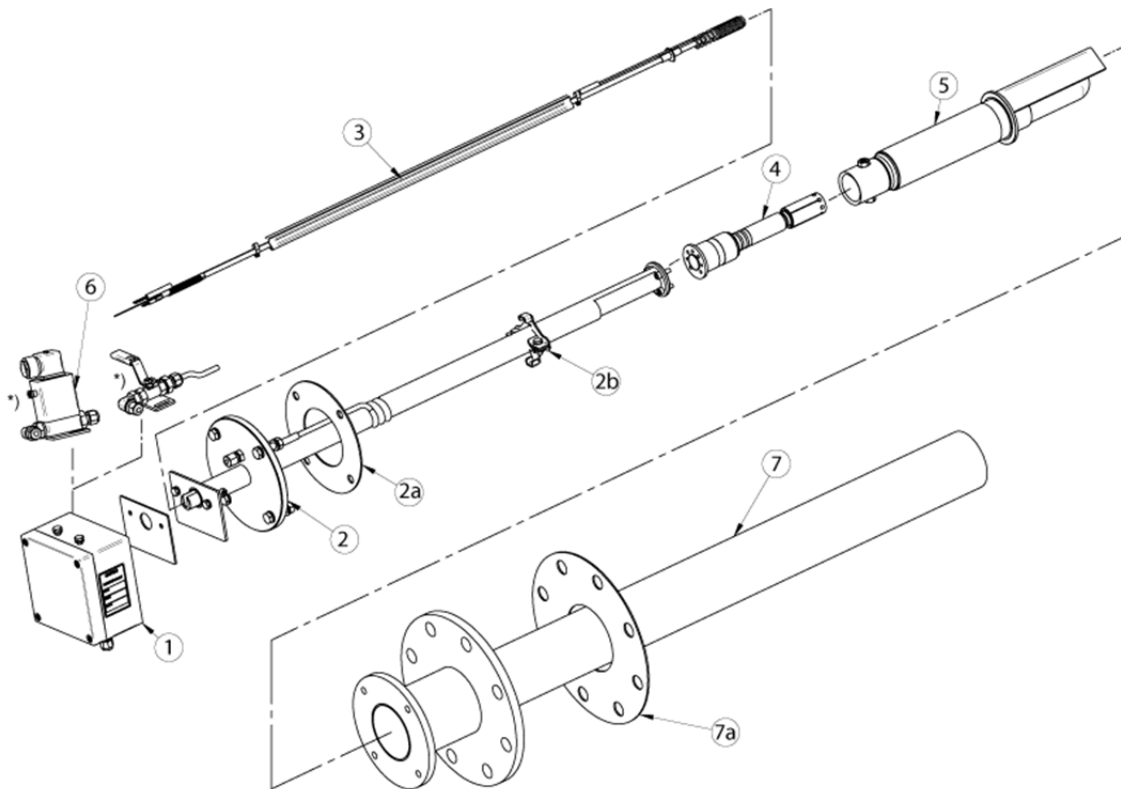
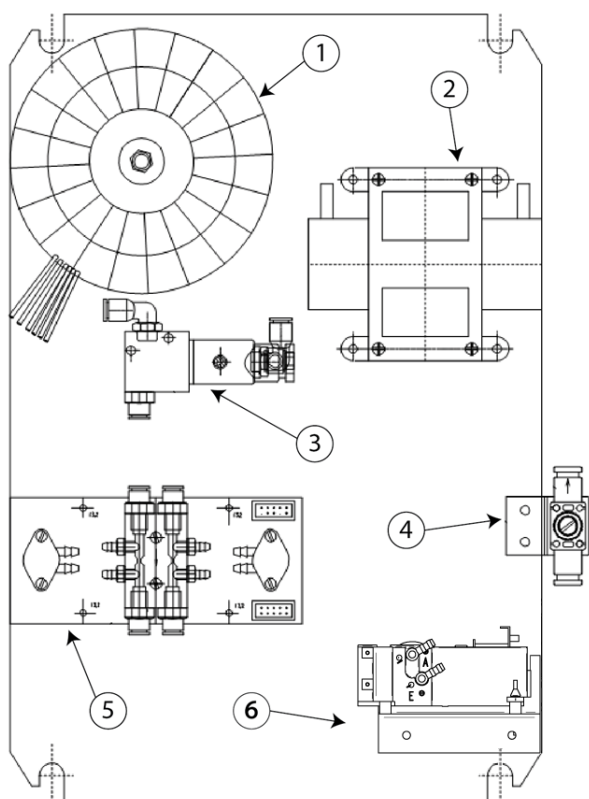


Figure 47 - Probe Components Probe lengths 3 - 5

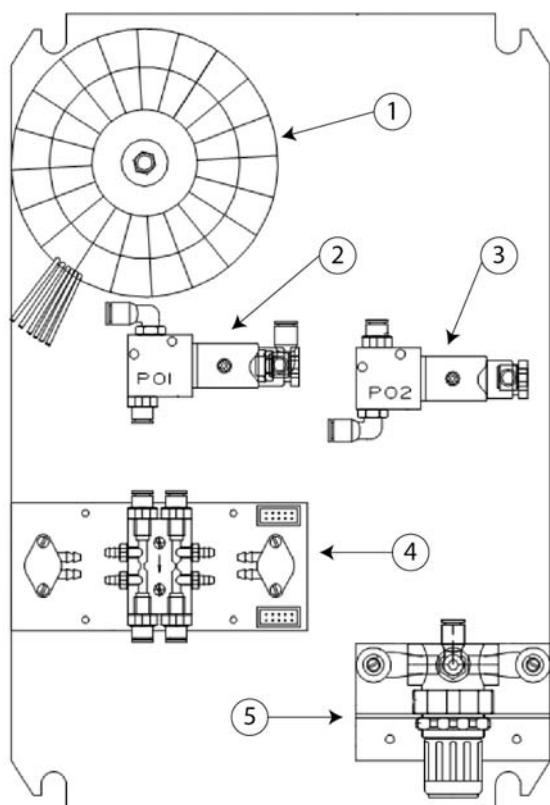
No.	Part	Part No.	
1	Connection Box	2089298	
2	Measuring probe tube	Length 3 - 2089311 Length 4 - 2089312 Length 5 - 2089313	
2a	Probe flange gasket	2089294	
3	Probe inner part	Length 3 - 2089272 Length 4 - 2089274 Length 5 - 2089273	
4	Oxygen measuring cell	2089289	
4a	Measuring cell gasket	2089295	
5	Filter head	Ceramic filter	2089337
		Ceramic filter vertical installation	2089338
		Basalt filter	2089339
		Basalt filter for vertical installation	2089340
		Sintered metal filter	2089341
		Sintered metal filter with flame arrestor	2089342
	Sintered metal filter for vertical installation	2089343	
6	*)Test gas valve / *) Solenoid valve	Please inquire at SICK.	
7	Protection Tube	Please inquire at SICK.	
7a	Protection tube flange gasket	2089296	

C.3 Mounting Plates of the Electronic Unit



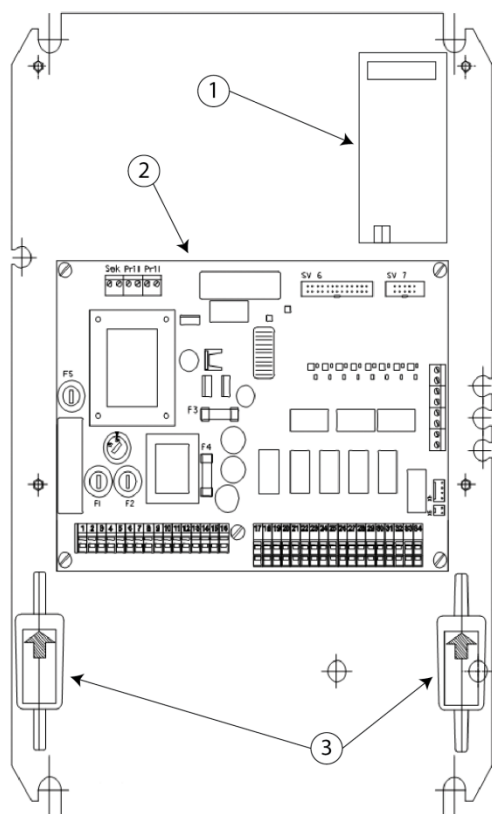
Parts List		
Test gas and reference air unit with internal pumps		
①	2089317	Transformer prim. 2*115V, sec. 115V
②	2089330	Test air pump 720 l/h
③	2089324	Test gas solenoid valve P01 - with pneumatic unit and fittings
④		Restrictor one way
⑤	2089327	Internal flow meter for reference air and test gas
⑥	2089329	Reference air pump 30l/h

Figure 48 - Mounting plate 1 (version with pumps)



Parts List		
Test gas and reference air unit for instrument air		
①	2089317	Transformer primary 2*115V, sec. 115V
②	2089324	Test gas solenoid valve P01 - with pneumatic unit and fittings
③	2089325	Test gas solenoid valve P02 - with instrument air unit and fittings
④	2089327	Internal flow meter
⑤	2089336	Pressure regulator

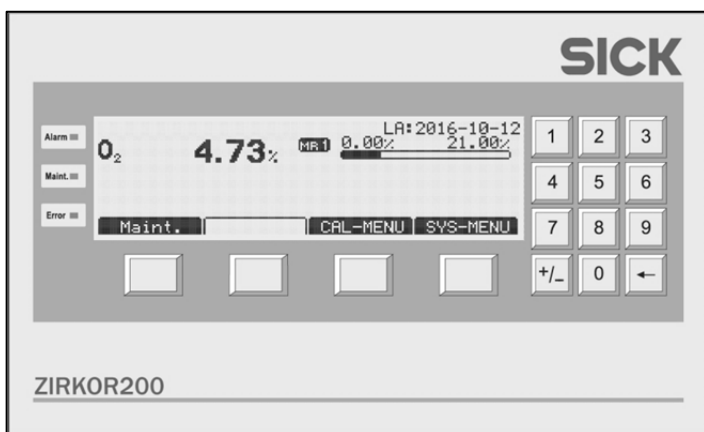
Figure 49 - Mounting plate 1 (version with instrument air)



Parts List Mounting plate 2		
①	2089318	Optional mA-output board.
②	2089319	power board
③	2089328	Filter for reference air and test air - for version with internal pumps

Figure 50 - Mounting plate 2

C.4 Display Board



Parts List Display Board	
2089320	Display board without pneumatic
2089321	Display board with pneumatic

Figure 51 - Display board

Index

A

Access to the Terminals	10
Adjusting the Flow Rate.....	31
Adjusting the V-shield.....	14

C

Calibration	27
Commissioning the System	19
Cooling Protection Tube	14
Counter Flange.....	13

D

Dimensional drawings	44
Dimensions	
Adapter Plate Dimensions	48
Dimensions of protection tube flanges	49
Electronic Unit Housing	44
Display Board	53
Disruption of the Process	6

E

Electrical Connections of the Probe	15
Exchange fuses.....	30
Exchange of Probe Inner Parts	35

F

Ferrite Sleeves	10
-----------------------	----

I

Installation	
Electronic Unit.....	8
Probe signal cable	9
Installation of the probe	13

L

Language settings	26
-------------------------	----

M

Maintenance Intervals	37
Mounting Plates of the Electronic Unit.....	52

N

Name Plate	7
Name Plates	7

P

Pneumatic Connections	
Probe.....	17
Position of the adjustment valves.....	32
Pressure and Flow rates	31
probe tube.....	34

R

Relay outputs	36
Replacing the O ₂ Sensor.....	33
Replacing the probe	33
Requirements for the Gas Supply	43

S

Service and Maintenance.....	30
Spare Parts	50
Status Messages	
Alarm Messages.....	39
Error Messages	38
Service Messages	39
System Overview	4

T

Technical Specifications.....	41
Troubleshooting	40

W

Wiring Diagram of the Electronic Unit	11
---	----

Z

ZIRKOR200 Wiring diagram	12
--------------------------------	----

Australia

Phone +61 3 9457 0600
1800 334 802 - toll free
E-Mail sales@sick.com.au

Austria

Phone +43 22 36 62 28 8-0
E-Mail office@sick.at

Belgium/Luxembourg

Phone +32 2 466 55 66
E-Mail info@sick.be

Brazil

Phone +55 11 3215-4900
E-Mail marketing@sick.com.br

Canada

Phone +1 905 771 14 44
E-Mail information@sick.com

Czech Republic

Phone +420 2 57 91 18 50
E-Mail sick@sick.cz

Chile

Phone +56 2 2274 7430
E-Mail info@schadler.com

China

Phone +86 20 2882 3600
E-Mail info.china@sick.net.cn

Denmark

Phone +45 45 82 64 00
E-Mail sick@sick.dk

Finland

Phone +358-9-2515 800
E-Mail sick@sick.fi

France

Phone +33 1 64 62 35 00
E-Mail info@sick.fr

Germany

Phone +49 211 5301-301
E-Mail info@sick.de

Hong Kong

Phone +852 2153 6300
E-Mail ghk@sick.com.hk

Hungary

Phone +36 1 371 2680
E-Mail office@sick.hu

India

Phone +91 22 4033 8333
E-Mail info@sick-india.com

Israel

Phone +972 4 6881000
E-Mail info@sick-sensors.com

Italy

Phone +39 02 274341
E-Mail info@sick.it

Japan

Phone +81 3 5309 2112
E-Mail support@sick.jp

Malaysia

Phone +6 03 8080 7425
E-Mail enquiry.my@sick.com

Mexico

Phone +52 472 748 9451

Netherlands

Phone +31 30 2044 000
E-Mail info@sick.nl

New Zealand

Phone +64 9 415 0459
0800 222 278 - toll-free
E-Mail sales@sick.co.nz

Norway

Phone +47 67 81 50 00
E-Mail sick@sick.no

Poland

Phone +48 22 539 41 00
E-Mail info@sick.pl

Romania

Phone +40 356 171 120
E-Mail office@sick.ro

Russia

Phone +7 495 775 05 30
E-Mail info@sick.ru

Singapore

Phone +65 6744 3732
E-Mail sales.gsg@sick.com

Slovakia

Phone +421 482 901201
E-Mail mail@sick-sk.sk

Slovenia

Phone +386 591 788 49
E-Mail office@sick.si

South Africa

Phone +27 11 472 3733
E-Mail info@sickautomation.co.za

South Korea

Phone +82 2 786 6321
E-Mail info@sickkorea.net

Spain

Phone +34 93 480 31 00
E-Mail info@sick.es

Sweden

Phone +46 10 110 10 00
E-Mail info@sick.se

Switzerland

Phone +41 41 619 29 39
E-Mail contact@sick.ch

Taiwan

Phone +886 2 2375-6288
E-Mail sales@sick.com.tw

Thailand

Phone +66 2645 0009

Turkey

Phone +90 216 528 50 00
E-Mail info@sick.com.tr

United Arab Emirates

Phone +971 4 88 65 878
E-Mail info@sick.ae

United Kingdom

Phone +44 1727 831121
E-Mail info@sick.co.uk

USA

Phone +1 800 325 7425
E-Mail info@sick.com

Vietnam

Phone +84 945452999

Further locations at www.sick.com