

Drawings

EJA438E
Diaphragm Sealed Gauge Pressure
Transmitter (Diaphragm seal section,
Inner Diaphragm/Adapter connection type)

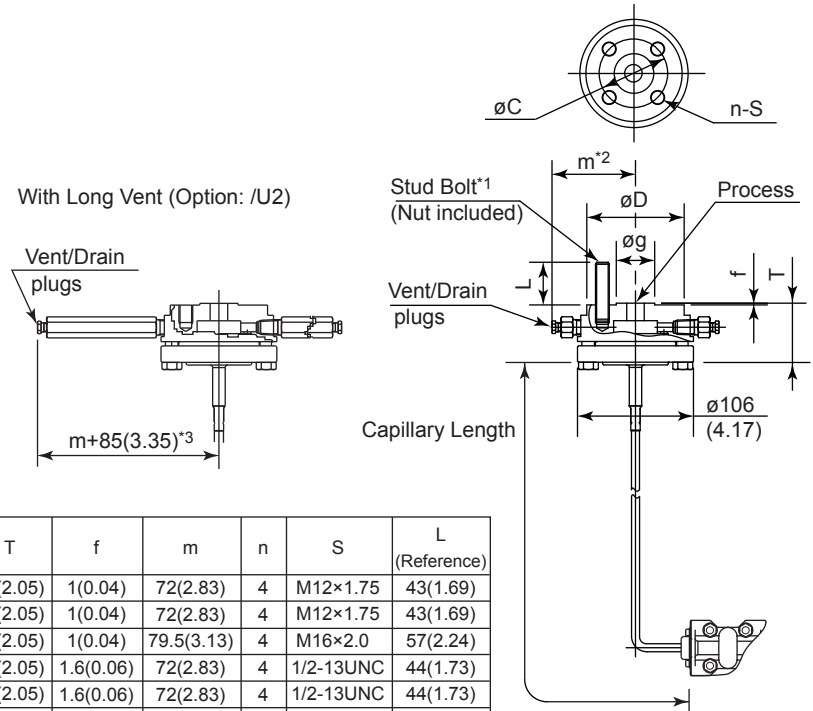
DPharp EJA®

SD 01C31J04-21EN

[Style: S1, S2]

Unit: mm (approx. inch)

- *1: Stud bolts and nuts are attached for n pcs.
- *2: In case of oil-prohibited use or oil-prohibited use with dehydrating treatment, 15mm added.
- *3: In case of oil-prohibited use or oil-prohibited use with dehydrating treatment, 11mm added.
- *4: This value is the same as flange standards. Actual value might be added 1mm(0.04inch) because the commercial gaskets can be used.



Process Flange Size: 1/2 inch(15mm)

Flange rating	ϕD	ϕC^4	ϕg	T	f	m	n	S	L (Reference)
JIS 10K	95(3.74)	70(2.76)	51(2.01)	52(2.05)	1(0.04)	72(2.83)	4	M12×1.75	43(1.69)
JIS 20K	95(3.74)	70(2.76)	51(2.01)	52(2.05)	1(0.04)	72(2.83)	4	M12×1.75	43(1.69)
JIS 40K	115(4.53)	80(3.15)	55(2.17)	52(2.05)	1(0.04)	79.5(3.13)	4	M16×2.0	57(2.24)
ANSI class 150	88.9(3.50)	60.5(2.38)	35.1(1.38)	52(2.05)	1.6(0.06)	72(2.83)	4	1/2-13UNC	44(1.73)
ANSI class 300	95.3(3.75)	66.5(2.62)	35.1(1.38)	52(2.05)	1.6(0.06)	72(2.83)	4	1/2-13UNC	44(1.73)
ANSI class 600	95.3(3.75)	66.5(2.62)	35.1(1.38)	62(2.44)	6.4(0.25)	72(2.83)	4	1/2-13UNC	59(2.32)
JPI class 150	89(3.50)	60.5(2.38)	35.1(1.38)	52(2.05)	1.6(0.06)	72(2.83)	4	1/2-13UNC	44(1.73)
JPI class 300	95(3.74)	66.5(2.62)	35.1(1.38)	52(2.05)	1.6(0.06)	72(2.83)	4	1/2-13UNC	44(1.73)
JPI class 600	95(3.74)	66.5(2.62)	35.1(1.38)	62(2.44)	6.4(0.25)	72(2.83)	4	1/2-13UNC	59(2.32)

Process Flange Size: 3/4 inch(20mm)

Flange rating	ϕD	ϕC^4	ϕg	T	f	m	n	S	L (Reference)
JIS 10K	100(3.94)	75(2.95)	56(2.20)	52(2.05)	1(0.04)	72(2.83)	4	M12×1.75	43(1.69)
JIS 20K	100(3.94)	75(2.95)	56(2.20)	52(2.05)	1(0.04)	72(2.83)	4	M12×1.75	43(1.69)
JIS 40K	120(4.72)	85(3.35)	60(2.36)	52(2.05)	1(0.04)	82(3.23)	4	M16×2.0	57(2.24)
ANSI class 150	98.6(3.88)	69.9(2.75)	42.9(1.69)	52(2.05)	1.6(0.06)	72(2.83)	4	1/2-13UNC	44(1.73)
ANSI class 300	117.3(4.62)	82.6(3.25)	42.9(1.69)	52(2.05)	1.6(0.06)	80.7(3.18)	4	5/8-11UNC	51(2.01)
ANSI class 600	117.3(4.62)	82.6(3.25)	42.9(1.69)	62(2.44)	6.4(0.25)	80.7(3.18)	4	5/8-11UNC	67(2.64)
JPI class 150	99(3.90)	69.8(2.75)	42.9(1.69)	52(2.05)	1.6(0.06)	72(2.83)	4	1/2-13UNC	44(1.73)
JPI class 300	117(4.61)	82.6(3.25)	42.9(1.69)	52(2.05)	1.6(0.06)	80.7(3.18)	4	5/8-11UNC	51(2.01)
JPI class 600	117(4.61)	82.6(3.25)	42.9(1.69)	62(2.44)	6.4(0.25)	80.7(3.18)	4	5/8-11UNC	67(2.64)

Process Flange Size: 1 inch(25mm)

Flange rating	ϕD	ϕC^4	ϕg	T	f	m	n	S	L (Reference)
JIS 10K	125(4.92)	90(3.54)	67(2.64)	52(2.05)	1(0.04)	84.5(3.33)	4	M16×2.0	57(2.24)
JIS 20K	125(4.92)	90(3.54)	67(2.64)	52(2.05)	1(0.04)	84.5(3.33)	4	M16×2.0	57(2.24)
JIS 40K	130(5.12)	95(3.74)	70(2.76)	52(2.05)	1(0.04)	87(3.43)	4	M16×2.0	57(2.24)
ANSI class 150	108(4.25)	79.2(3.12)	50.8(2.00)	52(2.05)	1.6(0.06)	76(2.99)	4	1/2-13UNC	44(1.73)
ANSI class 300	124(4.88)	88.9(3.50)	50.8(2.00)	52(2.05)	1.6(0.06)	84(3.31)	4	5/8-11UNC	51(2.01)
ANSI class 600	124(4.88)	88.9(3.50)	50.8(2.00)	62(2.44)	6.4(0.25)	84(3.31)	4	5/8-11UNC	67(2.64)
JPI class 150	108(4.25)	79.2(3.12)	50.8(2.00)	52(2.05)	1.6(0.06)	76(2.99)	4	1/2-13UNC	44(1.73)
JPI class 300	124(4.88)	88.9(3.50)	50.8(2.00)	52(2.05)	1.6(0.06)	84(3.31)	4	5/8-11UNC	51(2.01)
JPI class 600	124(4.88)	88.9(3.50)	50.8(2.00)	62(2.44)	6.4(0.25)	84(3.31)	4	5/8-11UNC	67(2.64)