

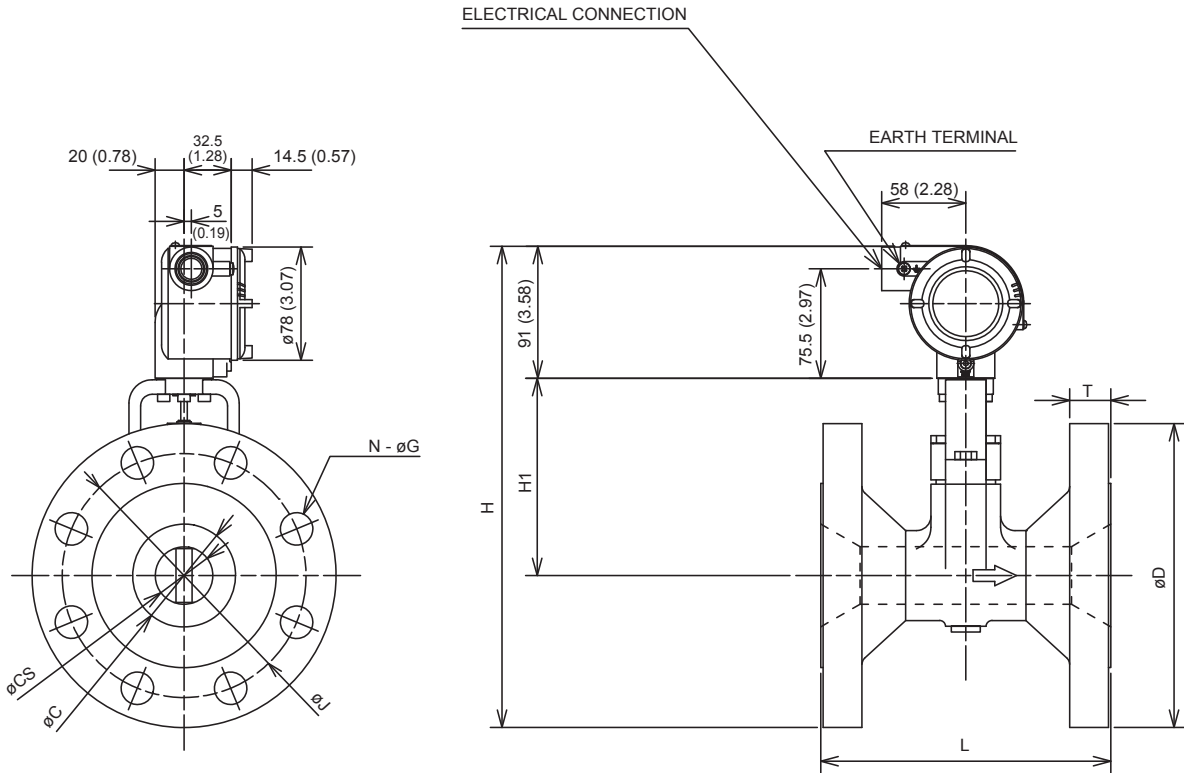
Drawings

digitalYEWFLO Series Vortex Flowmeter
 Stainless Steel Housing (/E1),
 Reduced Bore Type (/R2)
 Remote, Flange
 [DY040, DY050, DY080, DY100, DY150, DY200]

digitalYEWFLO

SD 01F06A00-22EN

Unit : mm
 (approx. inch)



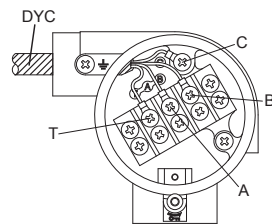
TYPE	REMOTE																							
MODEL CODE	DY040/R2/E1				DY050/R2/E1				DY080/R2/E1				DY100/R2/E1				DY150/R2/E1				DY200/R2/E1			
PROCESS CONNECTION	BJ1	BJ2	BA1	BA2	BS1	BS2	BA1	BA2	BS1	BS2	BA1	BA2	BS1	BS2	BA1	BA2	BS1	BS2	BA1	BA2	BS1	BS2	BA1	BA2
L	150 (5.91)				170 (6.69)				200 (7.87)				220 (8.66)				270 (10.63)				310 (12.20)			
C	39.7 (1.56)				51.1 (2.01)				71 (2.79)				93.8 (3.69)				138.8 (5.46)				185.6 (7.30)			
CS	14.6 (0.57)				25.7 (1.01)				39.7 (1.56)				51.1 (2.01)				71 (2.79)				93.8 (3.69)			
D	140 (5.51)	140 (5.51)	127 (4.94)	155.4 (6.12)	155 (6.10)	155 (6.10)	152.4 (6.00)	165.1 (6.50)	185 (7.28)	200 (7.87)	190.5 (7.50)	209.6 (8.25)	210 (8.27)	225 (8.86)	228.6 (9.00)	254 (10.00)	280 (11.02)	305 (12.01)	279.4 (11.00)	317.5 (12.50)	330 (12.99)	350 (13.78)	342.9 (13.50)	381 (15.00)
H	288 (11.34)	288 (11.34)	281.5 (11.08)	295.7 (11.64)	297.5 (11.71)	297.5 (11.71)	296.2 (11.66)	302.5 (11.91)	319.5 (12.58)	327 (12.87)	322.5 (12.70)	331.8 (13.06)	354 (13.94)	361.5 (14.23)	363.3 (14.30)	376 (14.80)	406 (15.98)	418.5 (16.48)	405.7 (15.97)	424.5 (16.71)	446 (17.56)	456 (17.95)	452.5 (17.82)	471.5 (18.56)
H1	127 (5.00)				129 (5.07)				136 (5.35)				158 (6.22)				175 (6.89)				190 (7.48)			
T	16 (0.63)	18 (0.71)	17.5 (0.69)	20.6 (0.81)	16 (0.63)	18 (0.71)	19.1 (0.75)	22.4 (0.88)	18 (0.71)	22 (0.87)	23.9 (0.94)	28.4 (1.11)	18 (0.71)	24 (0.94)	23.9 (0.94)	31.8 (1.25)	22 (0.87)	28 (1.10)	25.4 (1.00)	36.6 (1.44)	22 (0.87)	30 (1.18)	28.4 (1.11)	41.1 (1.62)
J	105 (4.13)	105 (4.13)	98.6 (3.88)	114.3 (4.50)	120 (4.72)	120 (4.72)	120.7 (4.75)	127 (5.00)	150 (5.91)	160 (6.30)	152.4 (6.00)	168.2 (6.62)	175 (6.89)	185 (7.28)	190.5 (7.50)	200.2 (7.88)	240 (9.45)	260 (10.24)	241.3 (9.50)	269.7 (10.62)	290 (11.42)	305 (12.01)	298.5 (11.75)	330.2 (13.00)
N	4				4	8	4	8	8	8	4	8	8				8	12	8	12	12	12	8	12
G	19 (0.75)	19 (0.75)	15.7 (0.62)	22.4 (0.88)	19 (0.75)				19 (0.75)	23 (0.91)	19 (0.75)	22.4 (0.88)	19 (0.75)	23 (0.91)	19 (0.75)	22.4 (0.88)	23 (0.91)	25 (0.98)	22.4 (0.88)	22.4 (0.88)	23 (0.91)	25 (0.98)	22.4 (0.88)	25.4 (1.00)
WEIGHT kg (lb)	7.8 (17.2)	8 (17.6)	7.7 (17.1)	8.9 (20.0)	10.1 (22.3)	10.6 (23.4)	10.7 (23.6)	12.2 (26.9)	13.7 (30.2)	16.3 (36.0)	16.3 (36.0)	20.1 (44.3)	21 (46.3)	25 (55.1)	25.6 (56.4)	34.1 (75.2)	40.4 (89.1)	50.4 (111.1)	43.4 (95.7)	61.4 (135.4)	62 (136.7)	69 (152.1)	72 (158.7)	97 (213.8)

(Note 1) The flow direction is opposite (right to left when facing onto indicator) in case of code/CRC.

Terminal Wiring

T	Built-in Temperature Sensor Terminal
A	Signal Output Terminals
B	
C	Common Terminal
±	Grounding Terminal

* Use DYC signal cable for remote type.
 * T is used for /MV only.



Remote type detector (DY-N--/E1)