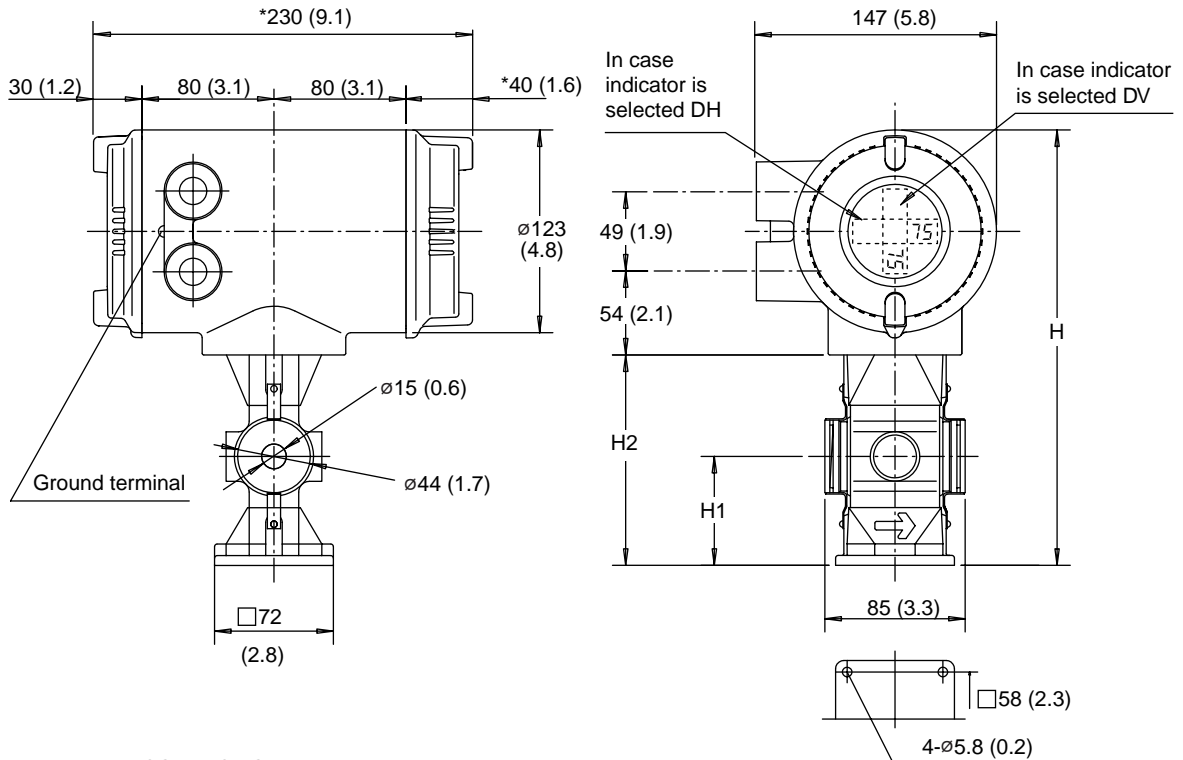


## CA115SG/SN/SC Capacitance Magnetic Flowmeter

Unit :mm  
(approx, inch)



### TERMINAL CONNECTION

Terminal symbols	Description
I+ I-	Current output 4 to 20mA DC
L+ N/ $\oplus$	Power and Protective Grounding
P+ P-	Pulse or Alarm output

- \* The length marked as \* is shorter by approx. 10mm (0.4") for non indicator type.
- \* \* The flow direction is opposite (right to left when facing onto indicator) in case of optional code / CRC.

### CA115S

Type	General (SG)	Ex-proof (SN/SC)
Size code	115	
Size	15 (0.5)	
Lining	Ceramics	
Height	H	267.5 (10.5) / 265 (10.4)
Height	H1	66 (2.6) / 66 (2.6)
Height	H2	127.5 (5.0) / 125 (4.9)
Weight	kg (lb)	4.7 (10.4) / 4.7 (10.4)

Unless otherwise specified, difference in the dimensions are specified as : General tolerance =  $\pm$  (Criteria of tolerance class IT18 in JIS B0401) / 2