

Drawings

Models RCCS34, RCCS36, ROTAMASS
 RCCS38, RCCS39,
 RCCS39/IR-□□□□□□□□□□/V2, RCCS39/XR
 Coriolis Mass Flow and Density Meter,
 Remote Detector,
 w/wo option /Tx

Contents

Signal Cable Wiring	page 1
Outline dimensions RCCS34 to 39 flange type without option /Tx	page 2
Outline dimensions RCCS39/IR.../V2 flange type	page 3
Outline dimensions RCCS39/XR flange type	page 3
Outline dimensions RCCS34 to 39/IR flange type with option /Tx	page 4
Outline dimensions RCCS39/XR flange type without option /Tx with /HT	page 5
Flange dimensions	page 6
Haet tracing and ventilation connections	page 6
Tables dimensions flange type	page 6, 7, 8
Outline dimensions RCCS34 to 39 clamp type without option /Tx; also valid for outer thread type acc. DIN 11851	page 9
Clamp dimensions	page 9
Outline dimensions RCCS34 inner thread type without option /Tx	page 10

Signal Cable Wiring:

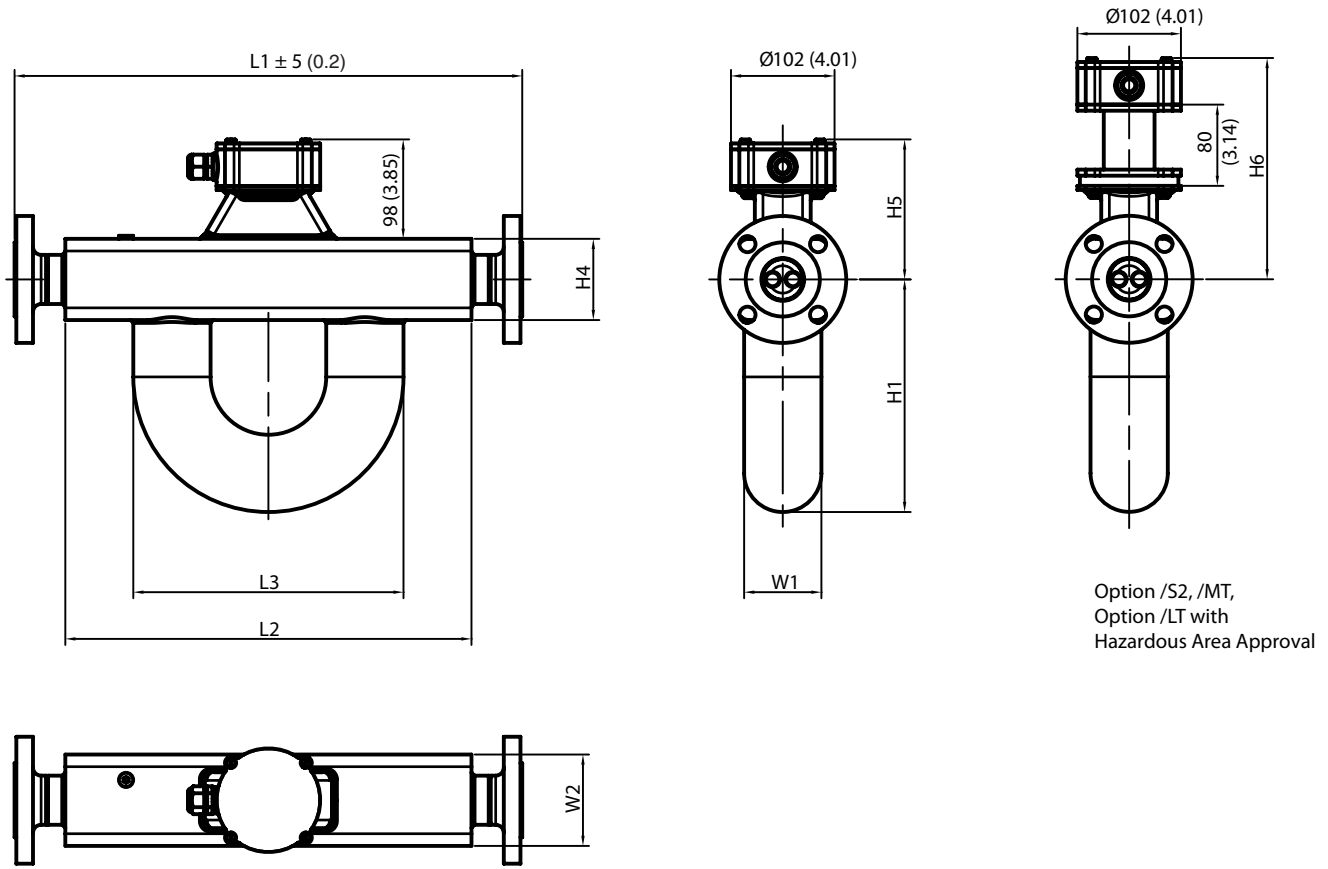
9-wire cable

Detector RCCS3[]	Cable	Converter RCCF31 / RCCR31
D +	1 ----- 1	D +
D -	2 ----- 2	D -
S1 +	3 ----- 3	S1 +
S1 -	4 ----- 4	S1 -
S2 +	5 ----- 5	S2 +
S2 -	6 ----- 6	S2 -
TP1	7 ----- 7	TP1
TP2	8 ----- 8	TP2
TP3	9 ----- 9	TP3
	----- shields	COM

Cable with Coaxial lines

Detector RCCS3[]	Cable	Converter RCCF31 / RCCR31
D +	1 ----- 1	D +
D -	-----shield-----	D -
S1 +	2 ----- 2	S1 +
S1 -	-----shield-----	S1 -
S2 +	3 ----- 3	S2 +
S2 -	-----shield-----	S2 -
TP1	4 ----- 4	TP1
TP2	5 ----- 5	TP2
TP3	6 ----- 6	TP3
	----- shields	COM

Dimensions : Detector RCCS34, RCCS36, RCCS38, RCCS39 flange type without option /Tx



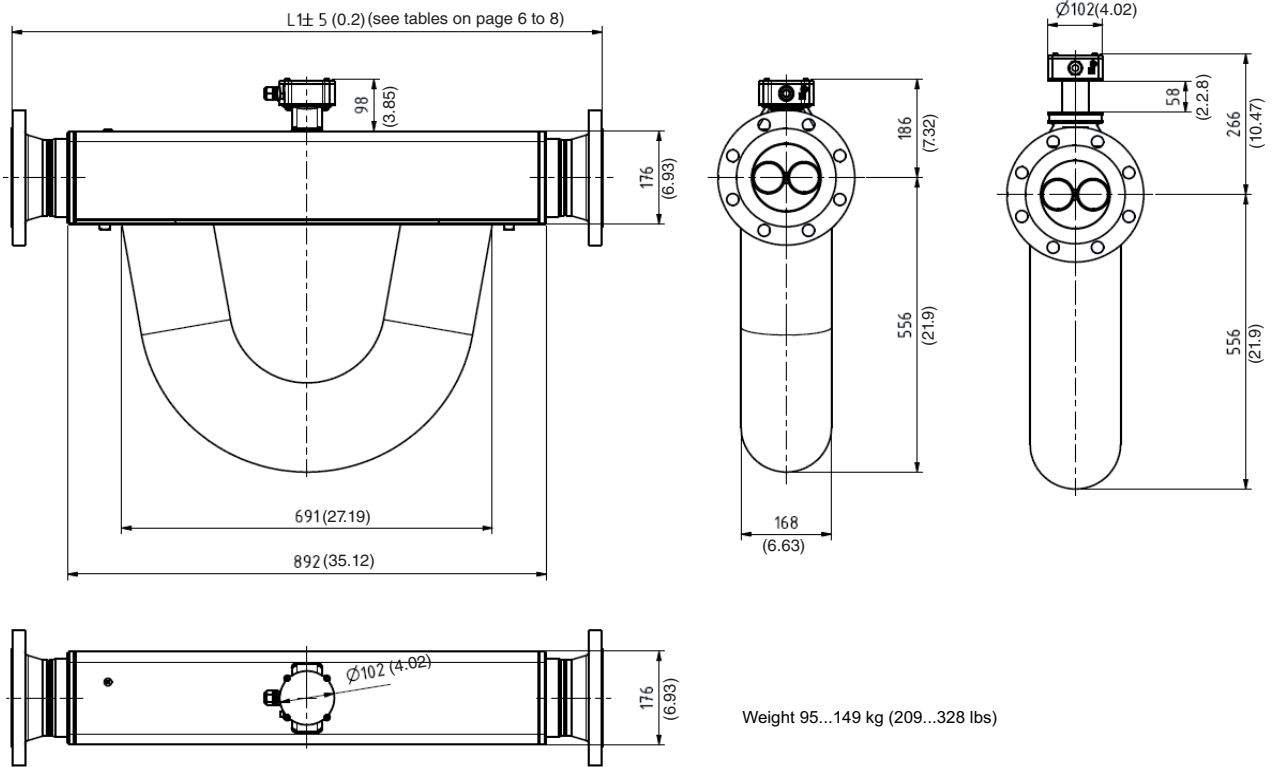
Dimensions in mm (inches)

Note: The flange dimensions depend on the respective size and pressure rating.

Model		L1	L2	L3	H1	W1	W2	H4	H5	H6	Weight
RCCS34	mm (inches)	see tables on page 6..8	272 (10.7)	212 (8.35)	177 (6.97)	60 (2.36)	80 (3.15)	80 (3.15)	138 (5.43)	218 (8.58)	10-21 kg (22-46 lbs)
RCCS36	mm (inches)	see tables on page 6..8	400 (15.7)	266 (10.5)	230 (9.06)	76 (2.99)	90 (3.54)	80 (3.15)	138 (5.43)	218 (8.58)	15-35 kg (33-77 lbs)
RCCS38	mm (inches)	see tables on page 6..8	490 (19.3)	267 (10.5)	269 (10.6)	89 (3.5)	110 (4.33)	100 (3.94)	148 (5.82)	228 (8.97)	25-50 kg (55-110 lbs)
RCCS39	mm (inches)	see tables on page 6..8	850 (33.5)	379 (14.9)	370 (14.6)	129 (5.08)	160 (6.3)	135 (5.31)	166 (6.53)	246 (9.68)	60-103 kg (132-227 lbs)

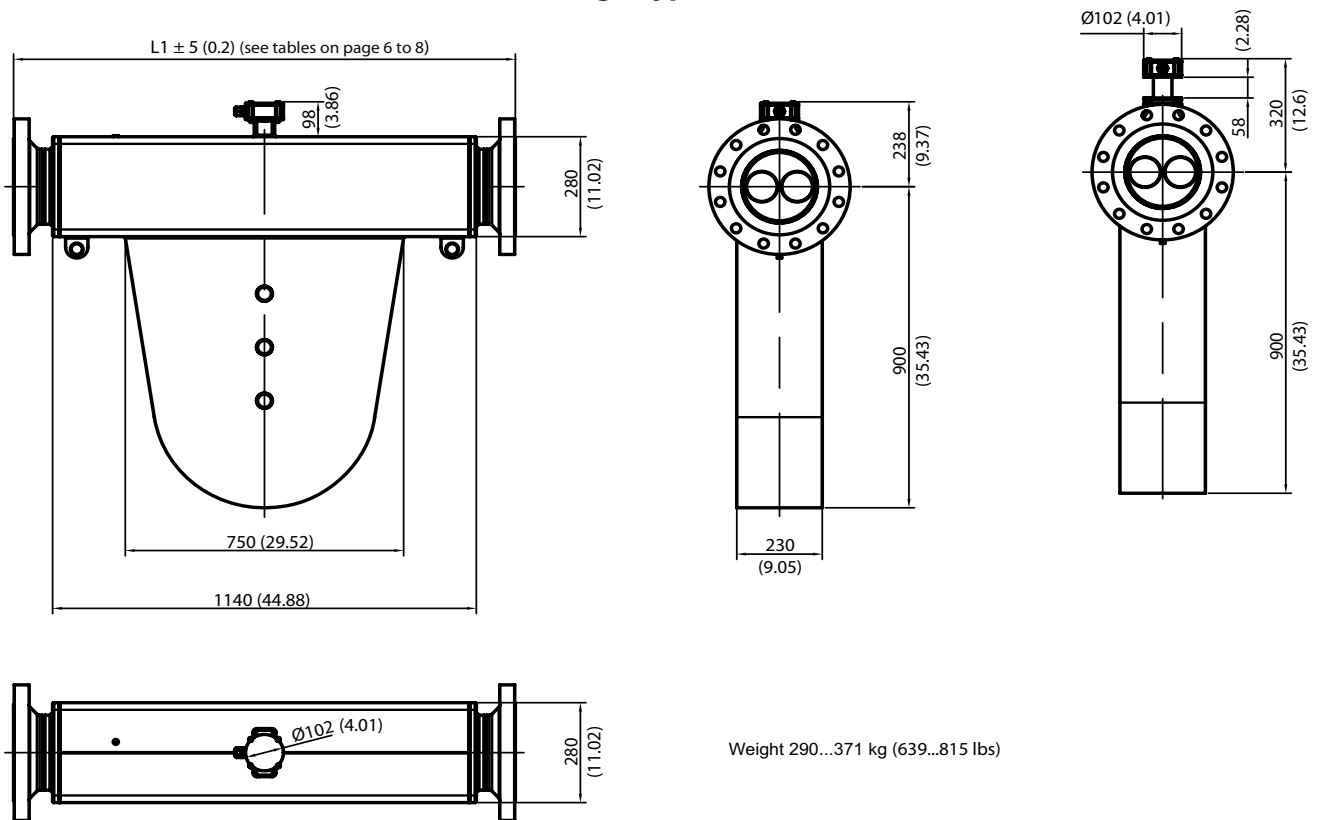
Weights with smallest and biggest flanges

Dimensions : Detector RCCS39/IR-□□□□□□□□□□/1/2 flange type



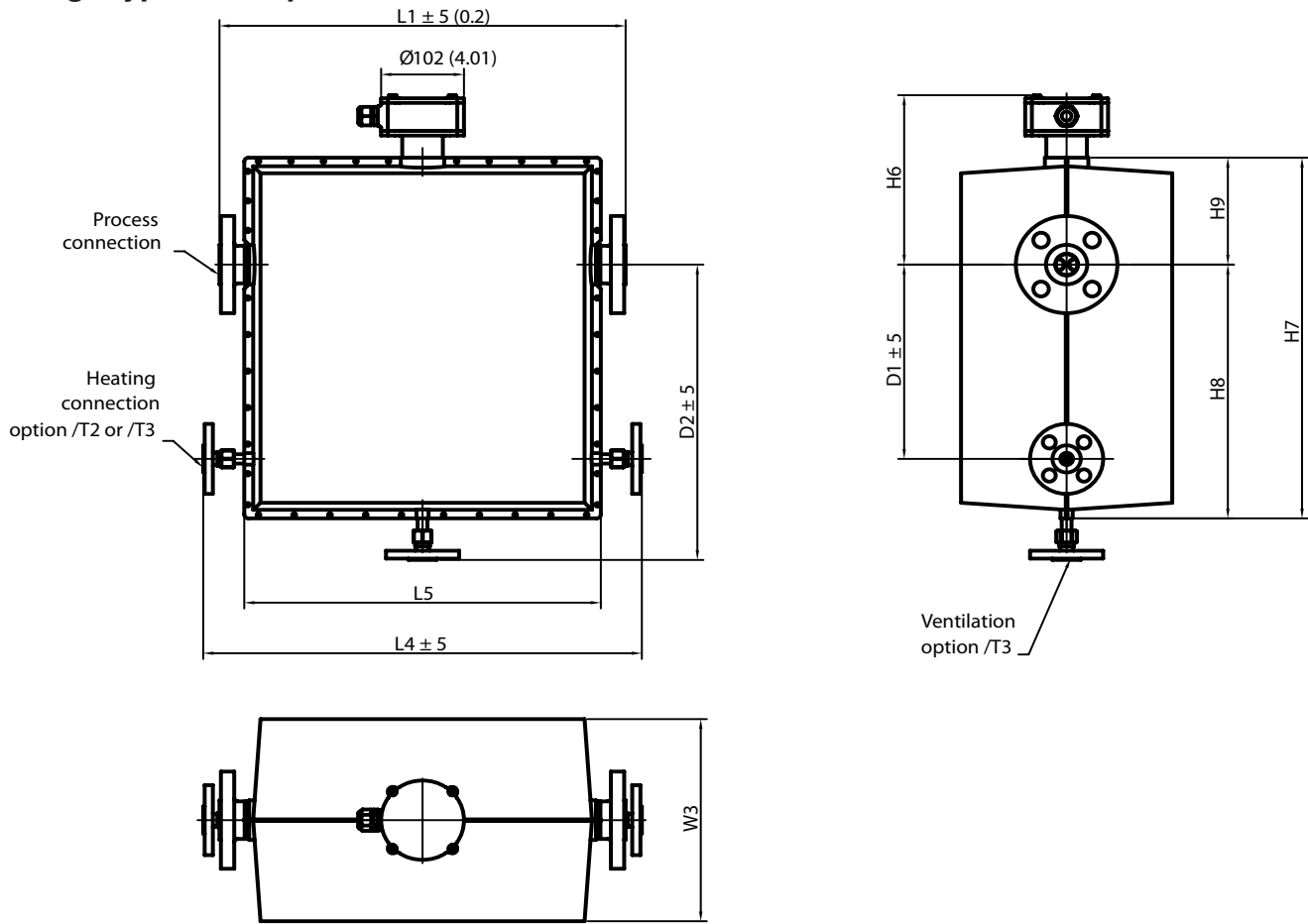
Dimensions in mm (inches)

Dimensions : Detector RCCS39/XR flange type



Dimensions in mm (inches)

Dimensions : Detector RCCS34, RCCS36, RCCS38, RCCS39, RCCS39/IR-□□□□□□□□□□/V2 flange type with option /Tx



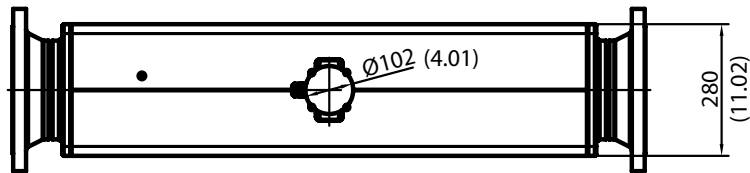
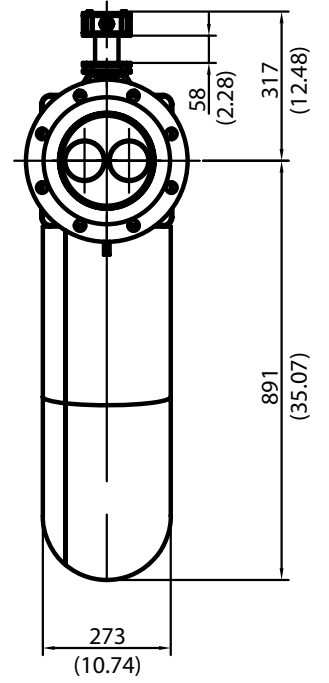
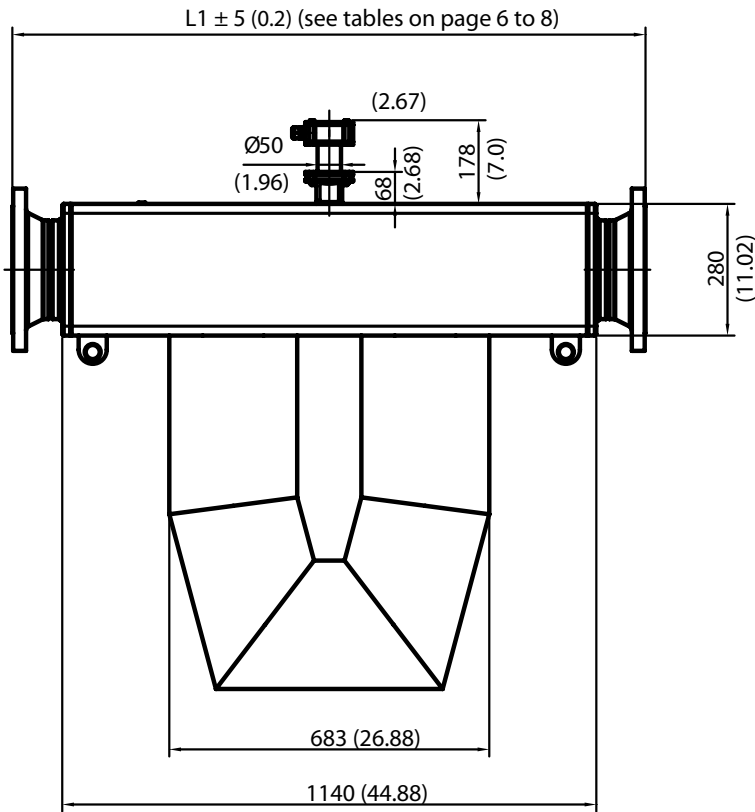
Dimensions in mm (inches)

Note: The flange dimensions depend on the respective size and pressure rating.

Model		L1	L4	L5	D1	D2	H6	H7	H8	H9	W3	Weight
RCCS34	mm (inches)	see tables on page 6..8	420 (16.53)	310 (12.20)	200 (7.87)	330 (12.99)	218 (8.58)	411 (16.81)	273 (10.74)	138 (5.43)	240 (9.44)	19-33 kg (42-73 lbs)
RCCS36	mm (inches)	see tables on page 6..8	540 (21.25)	439 (17.28)	250 (9.84)	380 (14.96)	218 (8.58)	464 (18.26)	326 (12.83)	138 (5.43)	260 (10.23)	27-50 kg (59-110 lbs)
RCCS38	mm (inches)	see tables on page 6..8	640 (25.19)	530 (20.86)	250 (9.84)	430 (16.92)	228 (8.97)	524 (20.62)	376 (14.80)	148 (5.82)	260 (10.23)	39-67 kg (86-147 lbs)
RCCS39	mm (inches)	see tables on page 6..8	1000 (39.37)	894 (35.19)	350 (13.77)	545 (21.45)	245 (9.65)	668 (26.29)	503 (19.80)	165 (6.49)	302 (11.88)	96-142 kg (211-312 lbs)
RCCS39/IR	mm (inches)	see tables on page 6..8	1050 (41.34)	944 (37.16)	350 (13.77)	677 (26.65)	266 (10.47)	944 (37.16)	625 (24.61)	193 (7.6)	342 (13.46)	138-195 kg (303-429 lbs)

Weights with smallest and biggest flanges including insulation cover and heat tracing.
Standard heating connection see next page

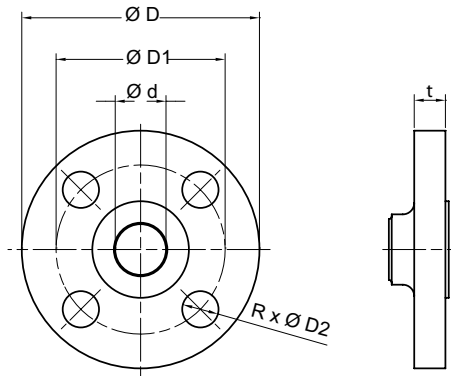
Dimensions : Detector RCCS39/XR flange type with option /HT



Dimensions in mm (inches)

Weight 290...370 kg
(639...815 lbs)

Flange dimensions general:



Heat tracing and ventilation connections:

Process connection	Standard heating connection *)
A□	ASME ½" - 150
D□	EN DN 15 PN 40
J□	JIS 10K DN15
S2 ; S4	EN DN 15 PN 40
S8	ASME ½" - 150
G9	EN DN 15 PN 40
T9	ASME ½"- 150

*) others on request

pressure rate ASME ½" class 150				pressure rate EN DN15 PN40				pressure rate JIS DN15 10K			
D	D1	D2	R	D	D1	D2	R	D	D1	D2	R
88.9	60.5	15.9	4	95	65	14	4	95	70	15	4

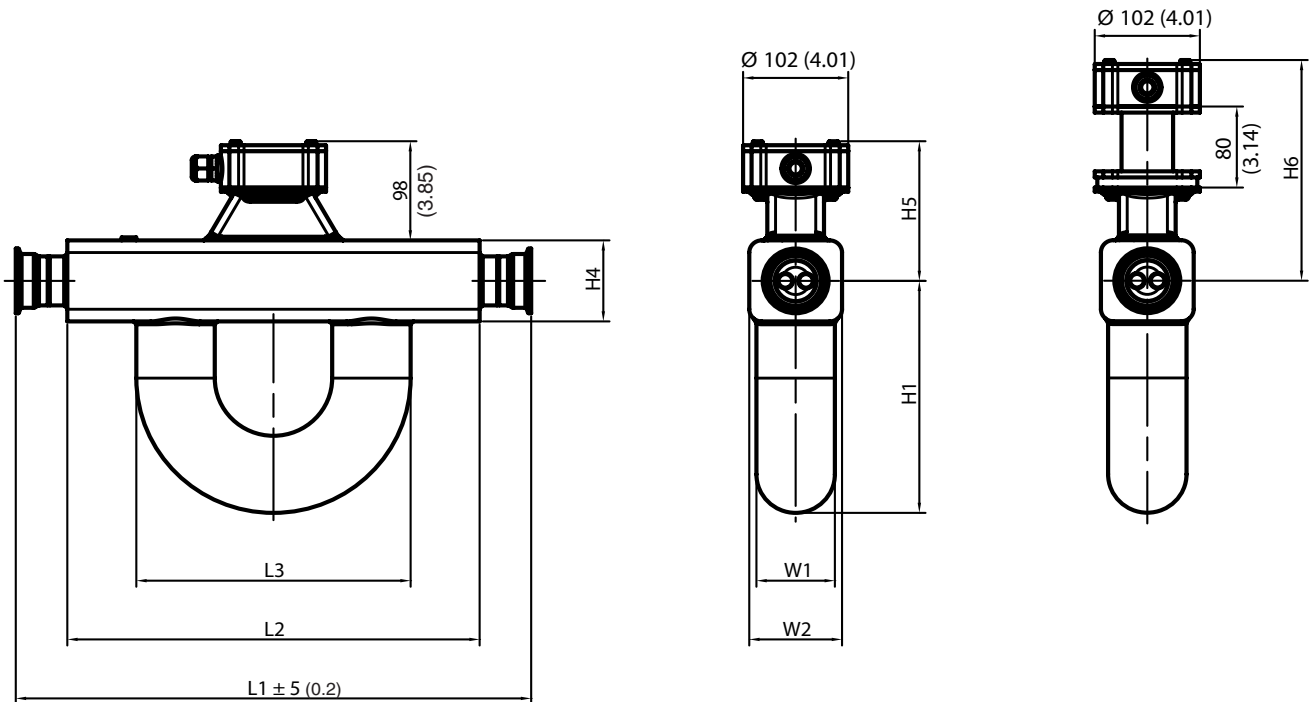
dimensions in [mm]

JIS- flange dimensions:

model code	pressure rate									pressure rate								
	JIS class 10K (J1)									JIS class 20K (J2)								
RCCS3[-]-[-]	D	D1	D2	R	t	L1	L1(HC)	d	D	D1	D2	R	t	L1	L1(HC)	d		
RCCS34	-01	95	70	15	4	12.3	370	----	15,7	95	70	15	4	14.3	370	----	15,7	
	-02	125	90	19	4	14.3	370	390	26,7	125	90	19	4	16.3	370	390	26,7	
	-04	140	105	19	4	16.3	370	390	40,7	140	105	19	4	18.3	370	390	40,7	
RCCS36	-02	125	90	19	4	14.3	500	----	26,7	125	90	19	4	16.3	500	----	26,7	
	-04	140	105	19	4	16.3	500	520	40,7	140	105	19	4	18.3	500	520	40,7	
	-05	155	120	19	4	16.3	500	520	52,7	155	120	19	8	18.3	500	520	52,7	
RCCS38	-04	140	105	19	4	16.3	600	----	40,7	140	105	19	4	18.3	600	----	40,7	
	-05	155	120	19	4	16.3	600	620	52,7	155	120	19	4	18.3	600	620	52,7	
	-08	185	150	19	8	18.3	600	620	78,2	200	160	23	8	22.3	610	620	78,2	
RCCS39	-08	185	150	19	8	18.8	1000	1020	78,2	200	160	23	8	22.8	1000	1020	78,2	
	-10	210	175	19	8	18.8	1000	1020	102,7	225	185	23	8	24.8	1000	1020	102,7	
	-12	250	210	23	8	20.8	1000	1020	128	270	225	25	8	26.8	1000	1020	128	
RCCS39/IR	-10	210	175	19	8	18.8	1100	----	102,7	225	185	23	8	24.8	1100	----	102,7	
	-12	250	210	23	8	20.8	1100	1100	128	270	225	25	8	26.8	1100	1100	128	
	-15	280	240	23	8	22.8	1100	1100	151,7	305	260	25	12	28.8	1100	1100	151,7	

dimensions in [mm]

Dimensions : Detector RCCS34, RCCS36, RCCS38, RCCS39 clamp type without option /Tx

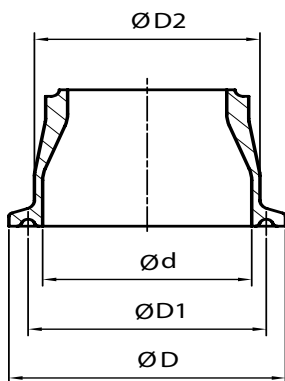


Dimensions in mm (inches)

Model		L1	L2	L3	H1	W1	W2	H4	H5	H6	Weight
RCCS34	[mm]	370	272	212	177	60	80	80	138	218	10 kg
RCCS36	[mm]	500	400	266	230	76	90	80	138	218	14 kg
RCCS38	[mm]	600	490	267	269	89	110	100	148	228	23 kg
RCCS39	[mm]	850	850	388	380	129	160	135	166	245	53 kg

Same dimensions for outer thread type acc. DIN 11851.

Clamp dimensions:



Model		DIN Clamp (S4)				Tri-Clamp (S8)			
		D	D1	D2	d	D	D1	D2	d
RCCS34	-02S□	50.4	43.4	29.1	26.1	50.4	43.4	25.4	22.1
	-04S□	50.4	43.4	41.1	38.1	50.4	43.4	38.1	34.8
RCCS36	-04S□	50.4	43.4	41.1	38.1	50.4	43.4	38.1	34.8
	-05S□	63.9	56.4	53.1	50.1	63.9	56.4	50.8	47.5
RCCS38	-05S□	63.9	56.4	53.1	50.1	63.9	56.4	50.8	47.5
	-06S□	90.9	83.4	70.1	66.1	-	-	-	-
	-08S□	-	-	-	-	90.8	83.4	76.2	72.9
RCCS39	-10S□	118.9	109.9	104.0	100.1	118.9	109.9	104.0	98.3

Dimensions : Detector RCCS34 inner thread type without option /Tx

