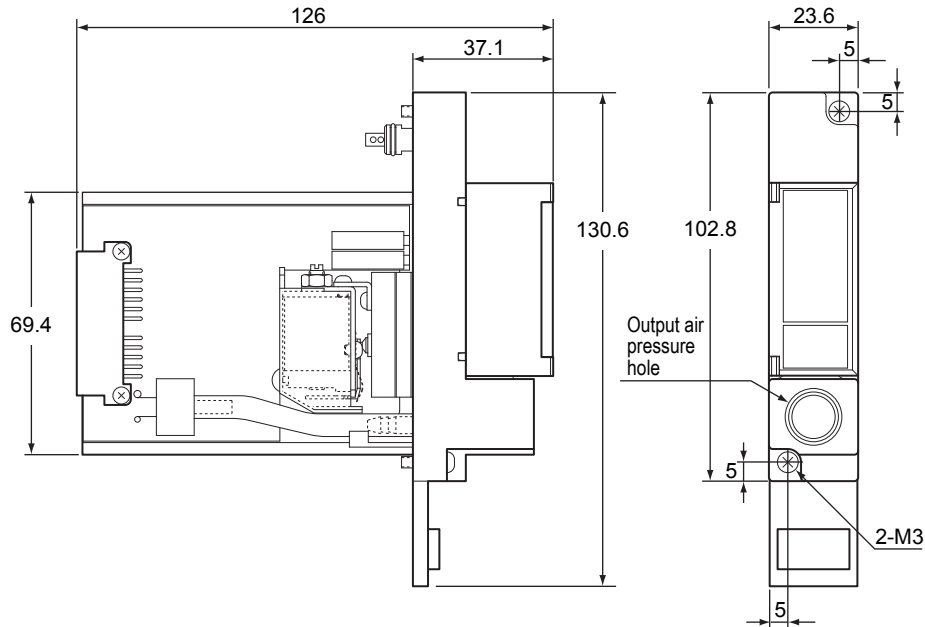


SD 77J05F10-01EN

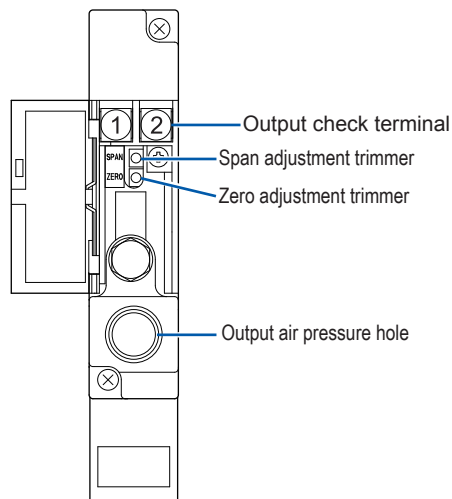
Unit: mm

External Dimensions



Normal allowable deviation = $\pm(\text{Value of JIS B 0401-1998 tolerance grade IT18})/2$

Terminal Assignments



Terminal	Signal	Connection
①	For output check (+)	M4×0.7 screw
②	For output check (-)	
	Output	Rc1/4

The 1 to 5 V DC signal proportional to the output air signal is outputted between output check terminals 1 and 2.
(Accuracy: $\pm 1\%$)