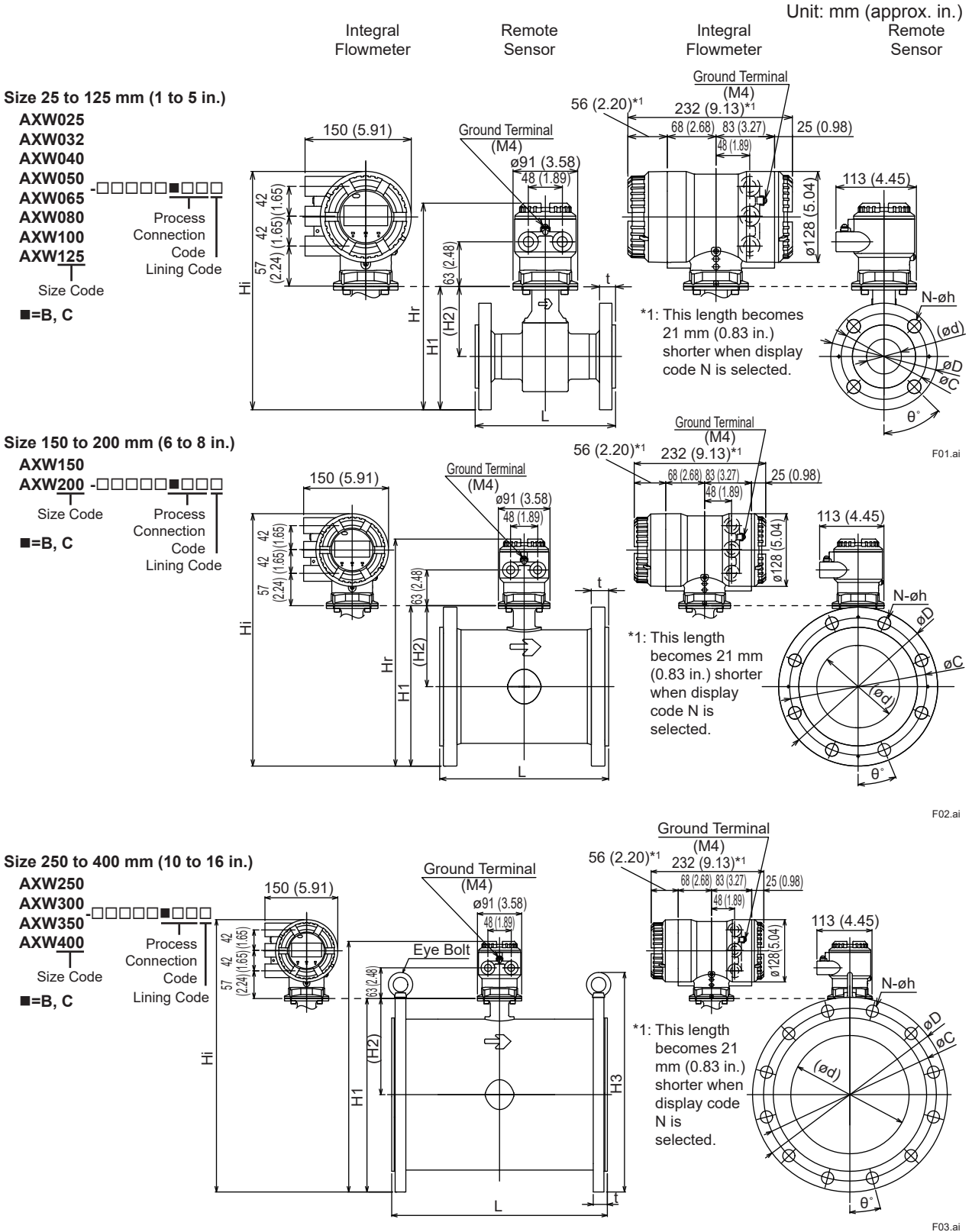


Drawings

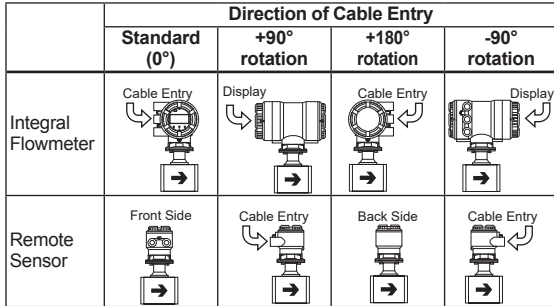
ADMAG TI Series
 AXW Magnetic Flowmeter
 [Size: 25 to 400 mm (1 to 16 in.)]
 Flange ASME Class 150



SD 01E24D02-01EN



Unless otherwise specified, difference in the dimensions are specified as : General tolerance = ± (Criteria of tolerance class IT18 in JIS B0401-1) / 2



* The direction of cable entry changes as shown left depending on the designation of the optional code RH with its rotational specification.

Unit: mm (approx. in.)

Model	Process Connection Code	BA1																							
		CA1																							
		025	025	032	032	040	040	050	050	050	065	065	080	080	100	100	100	100	125	125	125	125			
Size	(1)	(1)	(1.25)	(1.25)	(1.5)	(1.5)	(2)	(2)	(2)	(2.5)	(2.5)	(3)	(3)	(4)	(4)	(4)	(4)	(5)	(5)	(5)	(5)				
Lining Code	F	U	F	U	F	U	F	U	H,D	F	U,H,D	F	U,H,D	F	U	H	D	F	U	H	D				
Remote Sensor	Lay Length (*1)(*5) L	198 (7.78)	198 (7.78)	198 (7.78)	198 (7.78)	198 (7.78)	198 (7.78)	198 (7.78)	198 (7.78)	198 (7.78)	198 (7.78)	198 (7.78)	198 (7.78)	198 (7.78)	248 (9.74)	248 (9.74)	248 (9.74)	248 (9.74)	248 (9.74)	248 (9.74)	248 (9.74)				
	Flange Outer Diameter øD	110 (4.33)	110 (4.33)	115 (4.53)	115 (4.53)	125 (4.92)	125 (4.92)	150 (5.91)	150 (5.91)	150 (5.91)	180 (7.09)	180 (7.09)	180 (7.09)	180 (7.09)	190 (7.48)	190 (7.48)	230 (9.06)	230 (9.06)	230 (9.06)	230 (9.06)	255 (10.04)	255 (10.04)	255 (10.04)	255 (10.04)	
	Flange Thickness (incl. lining flare) t	20.2 (0.80)	18.7 (0.74)	20.8 (0.82)	19.3 (0.76)	22.4 (0.88)	20.9 (0.82)	24.0 (0.94)	22.5 (0.89)	22.5 (0.89)	27.2 (1.07)	25.7 (1.01)	28.8 (1.13)	27.3 (1.07)	28.8 (1.13)	27.3 (1.07)	27.3 (1.07)	27.3 (1.07)	28.8 (1.13)	27.3 (1.07)	27.3 (1.07)	27.3 (1.07)	27.3 (1.07)	27.3 (1.07)	27.3 (1.07)
	Lining Inner Diameter ød	26 (1.02)	24 (0.93)	31 (1.22)	29 (1.13)	39 (1.53)	37 (1.44)	52 (2.03)	49 (1.94)	50 (1.95)	63 (2.49)	61 (2.40)	75 (2.96)	73 (2.87)	100 (3.95)	97 (3.82)	98 (3.87)	96 (3.79)	125 (4.91)	121 (4.76)	123 (4.83)	121 (4.75)			
	Bolt øC	79.4 (3.13)	79.4 (3.13)	88.9 (3.50)	88.9 (3.50)	98.4 (3.87)	98.4 (3.87)	120.7 (4.75)	120.7 (4.75)	120.7 (4.75)	139.7 (5.50)	139.7 (5.50)	152.4 (6.00)	152.4 (6.00)	190.5 (7.50)	190.5 (7.50)	190.5 (7.50)	190.5 (7.50)	215.9 (8.50)	215.9 (8.50)	215.9 (8.50)	215.9 (8.50)			
	Circle Diameter	45 (1.77)	45 (1.77)	45 (1.77)	45 (1.77)	45 (1.77)	45 (1.77)	45 (1.77)	45 (1.77)	45 (1.77)	45 (1.77)	45 (1.77)	45 (1.77)	45 (1.77)	22.5 (0.89)	22.5 (0.89)	22.5 (0.89)	22.5 (0.89)	22.5 (0.89)	22.5 (0.89)	22.5 (0.89)	22.5 (0.89)	22.5 (0.89)	22.5 (0.89)	22.5 (0.89)
	Bolt Hole Interval ø°	15.9 (0.63)	15.9 (0.63)	15.9 (0.63)	15.9 (0.63)	15.9 (0.63)	15.9 (0.63)	15.9 (0.63)	19.1 (0.75)	19.1 (0.75)	19.1 (0.75)	19.1 (0.75)	19.1 (0.75)	19.1 (0.75)	19.1 (0.75)	19.1 (0.75)	19.1 (0.75)	19.1 (0.75)	19.1 (0.75)	19.1 (0.75)	19.1 (0.75)	19.1 (0.75)	19.1 (0.75)	19.1 (0.75)	19.1 (0.75)
	Bolt Hole Diameter øh	80 (3.15)	80 (3.15)	86 (3.39)	86 (3.39)	86 (3.39)	86 (3.39)	86 (3.39)	86 (3.39)	86 (3.39)	86 (3.39)	86 (3.39)	86 (3.39)	86 (3.39)	86 (3.39)	86 (3.39)	86 (3.39)	86 (3.39)	86 (3.39)	86 (3.39)	86 (3.39)	86 (3.39)	86 (3.39)	86 (3.39)	86 (3.39)
	Number of Bolt Holes N	4	4	4	4	4	4	4	4	4	4	4	4	4	8	8	8	8	8	8	8	8	8	8	8
	Height H1	135 (5.31)	135 (5.31)	144 (5.67)	144 (5.67)	149 (5.87)	149 (5.87)	174 (6.85)	174 (6.85)	174 (6.85)	198 (7.80)	198 (7.80)	209 (8.23)	209 (8.23)	239 (9.41)	239 (9.41)	239 (9.41)	239 (9.41)	266 (10.47)	266 (10.47)	266 (10.47)	266 (10.47)			
Height H2	80 (3.15)	80 (3.15)	86 (3.39)	86 (3.39)	86 (3.39)	86 (3.39)	86 (3.39)	86 (3.39)	86 (3.39)	86 (3.39)	86 (3.39)	86 (3.39)	86 (3.39)	86 (3.39)	86 (3.39)	86 (3.39)	86 (3.39)	86 (3.39)	86 (3.39)	86 (3.39)	86 (3.39)	86 (3.39)	86 (3.39)	86 (3.39)	
Maximum Height Hr	252 (9.92)	252 (9.92)	261 (10.28)	261 (10.28)	266 (10.47)	266 (10.47)	291 (11.46)	291 (11.46)	291 (11.46)	315 (12.40)	315 (12.40)	326 (12.83)	326 (12.83)	356 (14.02)	356 (14.02)	356 (14.02)	356 (14.02)	383 (15.08)	383 (15.08)	383 (15.08)	383 (15.08)				
Approx. Weight, Unit: kg (lb) *2	4.2 (9.3)	4.2 (9.3)	4.8 (10.6)	4.8 (10.6)	5.5 (12.1)	5.5 (12.1)	7.4 (16.3)	7.4 (16.3)	7.4 (16.3)	10.8 (23.8)	10.8 (23.8)	13.0 (28.7)	13.0 (28.7)	18.2 (40.1)	18.2 (40.1)	18.2 (40.1)	18.2 (40.1)	22.8 (50.3)	22.8 (50.3)	22.8 (50.3)	22.8 (50.3)				
Integral Flowmeter	Maximum Height Hi	297 (11.69)	297 (11.69)	306 (12.05)	306 (12.05)	311 (12.24)	311 (12.24)	336 (13.23)	336 (13.23)	336 (13.23)	360 (14.17)	360 (14.17)	371 (14.61)	371 (14.61)	401 (15.79)	401 (15.79)	401 (15.79)	401 (15.79)	428 (16.85)	428 (16.85)	428 (16.85)	428 (16.85)			
Approx. Weight, Unit: kg (lb) *2	6.7 (14.8)	6.7 (14.8)	7.3 (16.1)	7.3 (16.1)	8.0 (17.6)	8.0 (17.6)	9.9 (21.8)	9.9 (21.8)	9.9 (21.8)	13.7 (30.2)	13.7 (30.2)	15.5 (34.2)	15.5 (34.2)	20.7 (45.6)	20.7 (45.6)	20.7 (45.6)	20.7 (45.6)	25.4 (56.0)	25.4 (56.0)	25.4 (56.0)	25.4 (56.0)				
Grounding rings thin type (GRL, GRH) (*1)(*3)	-	+2 (+0.08)	-	+2 (+0.08)	-	+2 (+0.08)	-	+2 (+0.08)	+2 (+0.08)	-	+2 (+0.08)	-	+2 (+0.08)	-	+2 (+0.08)	-	+2 (+0.08)	-	+2 (+0.08)	-	+2 (+0.08)	-	+2 (+0.08)		
Grounding rings thick type (GRN, GRJ) (*1)(*4)	+6 (+0.24)	+6 (+0.24)	+6 (+0.24)	+6 (+0.24)	+6 (+0.24)	+6 (+0.24)	+6 (+0.24)	+6 (+0.24)	+6 (+0.24)	+6 (+0.24)	+6 (+0.24)	+6 (+0.24)	+6 (+0.24)	+6 (+0.24)	+6 (+0.24)	+6 (+0.24)	+6 (+0.24)	+6 (+0.24)	+6 (+0.24)	+6 (+0.24)	+6 (+0.24)	+6 (+0.24)	+6 (+0.24)		
Grounding rings thick type (GRN, GRJ) with gaskets (GA, GC, GD) (*1)	+10 (+0.39)	-	+10 (+0.39)	-	+10 (+0.39)	-	+10 (+0.39)	-	+10 (+0.39)	-	+10 (+0.39)	-	+10 (+0.39)	-	+10 (+0.39)	-	+10 (+0.39)	-	+10 (+0.39)	-	+10 (+0.39)	-	+10 (+0.39)		

- *1: Add the value above (which is the total of both ends) to the lay length "L" when selecting optional grounding rings with/ without gaskets. Also, the thickness of customer supplied gaskets should be added for getting the total lay length.
- *2: When submersible use or optional code DHC is selected, waterproof glands with union joints and cables are attached. When the cable length is 30-meters, add 9.5 kg (20.9 lb) to the weight in the table.
- *3: These grounding rings (GRL, GRH) are not applied to lining code F nor H but for U and D.
- *4: When applying these grounding rings (GRN, GRJ) to lining code H, gaskets supplied by customer are necessary. For the sizes in this table, recommended thickness of the gasket is 2 mm (0.08 in.) per one, bringing 4 mm (0.16 in.) per two to be additionally added for getting the total lay length.
- *5: The tolerance of the lay length "L" is as follows.
 - Size 25 to 200 mm (1 to 8 in.): 0/-3 mm

Unit: mm (approx. in.)

Model	Process Connection Code		BA1																		
			CA1																		
	Size Code		150	150	150	200	200	200	250	250	250	300	300	300	350	350	350	400	400	400	
Size		(6)	(6)	(6)	(8)	(8)	(8)	(10)	(10)	(10)	(12)	(12)	(12)	(14)	(14)	(14)	(16)	(16)	(16)		
Lining Code		F	U	H, D	F	U	H, D	F	U	H, D	F	U	H, D	F	U	H, D	F	U	H, D		
Remote Sensor	Lay Length (*1) (*5)	L	299 (11.75)	299 (11.75)	299 (11.75)	349 (13.72)	349 (13.72)	349 (13.72)	448 (17.62)	448 (17.62)	448 (17.62)	498 (19.59)	498 (19.59)	498 (19.59)	548 (21.56)	548 (21.56)	548 (21.56)	598 (23.52)	598 (23.52)	598 (23.52)	
		Flange Outer Diameter	280 (11.02)	280 (11.02)	280 (11.02)	345 (13.58)	345 (13.58)	345 (13.58)	405 (15.94)	405 (15.94)	405 (15.94)	485 (19.09)	485 (19.09)	485 (19.09)	535 (21.06)	535 (21.06)	535 (21.06)	595 (23.43)	595 (23.43)	595 (23.43)	
	Flange Thickness (incl. lining flare)	t	30.9 (1.22)	30.9 (1.22)	30.9 (1.22)	34.0 (1.34)	34.0 (1.34)	34.0 (1.34)	36.6 (1.44)	36.6 (1.44)	36.6 (1.44)	38.2 (1.50)	38.2 (1.50)	38.2 (1.50)	41.9 (1.65)	41.9 (1.65)	41.9 (1.65)	43.5 (1.71)	43.5 (1.71)	43.5 (1.71)	
		Lining Inner Diameter	149 (5.87)	145 (5.71)	147 (5.80)	200 (7.89)	194 (7.63)	198 (7.81)	248 (9.78)	242 (9.53)	247 (9.74)	300 (11.79)	292 (11.48)	299 (11.75)	330 (12.97)	323 (12.70)	330 (12.97)	381 (14.98)	373 (14.67)	381 (14.98)	
	Bolt Circle Diameter	øC	241.3 (9.50)	241.3 (9.50)	241.3 (9.50)	298.5 (11.75)	298.5 (11.75)	298.5 (11.75)	362.0 (14.25)	362.0 (14.25)	362.0 (14.25)	431.8 (17.00)	431.8 (17.00)	431.8 (17.00)	476.3 (18.75)	476.3 (18.75)	476.3 (18.75)	539.8 (21.25)	539.8 (21.25)	539.8 (21.25)	
		Bolt Hole Interval	22.5 (0.88)	22.5 (0.88)	22.5 (0.88)	22.5 (0.88)	22.5 (0.88)	22.5 (0.88)	15 (0.59)	15 (0.59)	15 (0.59)	15 (0.59)	15 (0.59)	15 (0.59)	15 (0.59)	15 (0.59)	15 (0.59)	11.25 (0.44)	11.25 (0.44)	11.25 (0.44)	
	Bolt Hole Diameter	øh	22.3 (0.88)	22.3 (0.88)	22.3 (0.88)	22.3 (0.88)	22.3 (0.88)	22.3 (0.88)	25.4 (1.00)	25.4 (1.00)	25.4 (1.00)	25.4 (1.00)	25.4 (1.00)	25.4 (1.00)	25.4 (1.00)	25.4 (1.00)	25.4 (1.00)	28.6 (1.13)	28.6 (1.13)	28.6 (1.13)	
		Number of Bolt Holes	8	8	8	8	8	8	12	12	12	12	12	12	12	12	12	16	16	16	
	Integral Flowmeter	Height	H1	283 (11.12)	283 (11.12)	283 (11.12)	340 (13.39)	340 (13.39)	340 (13.39)	401 (15.78)	401 (15.78)	401 (15.78)	465 (18.32)	465 (18.32)	465 (18.32)	512 (20.14)	512 (20.14)	512 (20.14)	569 (22.41)	569 (22.41)	569 (22.41)
			H2	143 (5.61)	143 (5.61)	143 (5.61)	168 (6.60)	168 (6.60)	168 (6.60)	198 (7.81)	198 (7.81)	198 (7.81)	223 (8.77)	223 (8.77)	223 (8.77)	244 (9.61)	244 (9.61)	244 (9.61)	272 (10.70)	272 (10.70)	272 (10.70)
H3		-	-	-	-	-	-	456 (17.95)	456 (17.95)	456 (17.95)	536 (21.10)	536 (21.10)	536 (21.10)	595 (23.43)	595 (23.43)	595 (23.43)	655 (25.79)	655 (25.79)	655 (25.79)		
Remote Sensor	Maximum Height	Hr	400 (15.74)	400 (15.74)	400 (15.74)	457 (18.01)	457 (18.01)	457 (18.01)	518 (20.40)	518 (20.40)	518 (20.40)	583 (22.94)	583 (22.94)	583 (22.94)	629 (24.76)	629 (24.76)	629 (24.76)	687 (27.03)	687 (27.03)	687 (27.03)	
		Approx. Weight, Unit: kg (lb) (*2)	30 (66.2)	29 (64.0)	29 (64.0)	46 (101.6)	46 (101.6)	46 (101.6)	74 (163.4)	73 (161.2)	73 (161.2)	102 (225.2)	101 (223.0)	100 (220.8)	128 (282.8)	126 (278.2)	126 (278.2)	161 (355.4)	160 (353.2)	158 (348.8)	
Integral Flowmeter	Maximum Height	Hi	445 (17.50)	445 (17.50)	445 (17.50)	502 (19.77)	502 (19.77)	502 (19.77)	563 (22.16)	563 (22.16)	563 (22.16)	627 (24.69)	627 (24.69)	627 (24.69)	674 (26.52)	674 (26.52)	674 (26.52)	731 (28.79)	731 (28.79)	731 (28.79)	
		Approx. Weight, Unit: kg (lb)	32 (70.6)	32 (70.6)	32 (70.6)	49 (108.2)	48 (106.0)	48 (106.0)	76 (167.8)	76 (167.8)	76 (167.8)	104 (229.6)	104 (229.6)	102 (225.2)	130 (287.0)	129 (284.8)	129 (284.8)	164 (362.0)	163 (359.8)	161 (355.4)	
Grounding rings thin type (GRL, GRH) (*1) (*3)			-	+2 (+0.08)	+2 (+0.08)	-	+2 (+0.08)	+2 (+0.08)	-	+4 (+0.16)	+4 (+0.16)	-	+4 (+0.16)	+4 (+0.16)	-	+4 (+0.16)	+4 (+0.16)	-	+4 (+0.16)	+4 (+0.16)	
Grounding rings thick type (GRN, GRJ) (*1) (*4)			+6 (+0.24)	+6 (+0.24)	+6 (+0.24)	+6 (+0.24)	+6 (+0.24)	+6 (+0.24)	+6 (+0.24)	+6 (+0.24)	+6 (+0.24)	+6 (+0.24)	+6 (+0.24)	+6 (+0.24)	+6 (+0.24)	+6 (+0.24)	+6 (+0.24)	+6 (+0.24)	+6 (+0.24)	+6 (+0.24)	

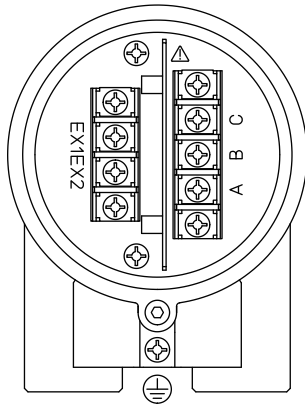
- *1: Add the value above (which is the total of both ends) to the lay length "L" when selecting optional grounding rings with/without gaskets. Also, the thickness of customer supplied gaskets should be added for getting the total lay length.
- *2: When submersible use or optional code DHC is selected, waterproof glands with union joints and cables are attached. When the cable length is 30-meters, add 9.5 kg (20.9 lb) to the weight in the table.
- *3: These grounding rings (GRL, GRH) are not applied to lining code F nor H but for U and D.
- *4: When applying these grounding rings (GRN, GRJ) to lining code F or H, gaskets supplied by customer are necessary. For the sizes in this table, recommended thickness of the gasket is 3 to 5 mm (0.12 to 0.20 in.) per one, bringing 6 to 10 mm (0.24 to 0.39 in.) per two to be additionally added for getting the total lay length.
- *5: The tolerance of the lay length "L" is as follows.
 - Size 25 to 200 mm (1 to 8 in.): 0/-3 mm
 - Size 250 to 400 mm (10 to 16 in.): 0/-5 mm

Terminal Configuration and Wiring

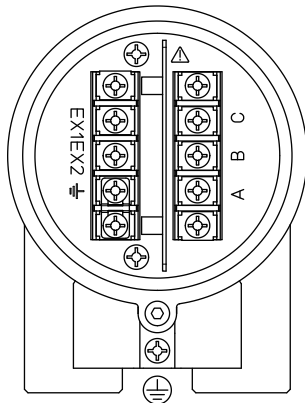
Remote Sensor:

<To be wired to Remote Transmitter>

Non Explosion Protection Use



Explosion Protection Use



Terminal Symbol	Description
A B C	Flow Signal Output
EX1 EX2	Excitation Current Input
⊕	Protective Grounding (Outside of the terminal box)
⊖	Functional Grounding

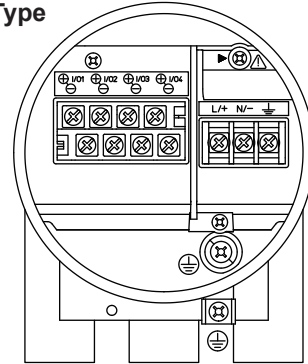
F04.ai

Note: When submersible use or optional code DHC is selected, waterproof glands with union joints and cables are attached.

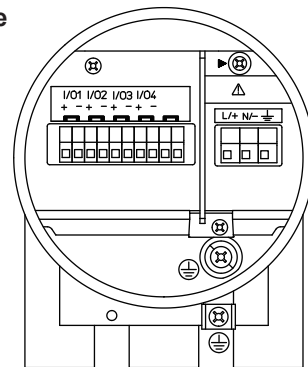
Integral Flowmeter:

<To be wired to Power Supply and I/Os>

M4 Screw Type



Clamp Type



Terminal Symbol	Description
▶	Shorting Screw (Need to be fixed for normal operation)
⊖	Functional Grounding
N/- L/+	Power Supply
I/O4 - I/O4 + I/O3 - I/O3 + I/O2 - I/O2 + I/O1 - I/O1 +	Selected Input/Output
⊕	Protective Grounding (Inside and outside of the terminal box)

F05.ai