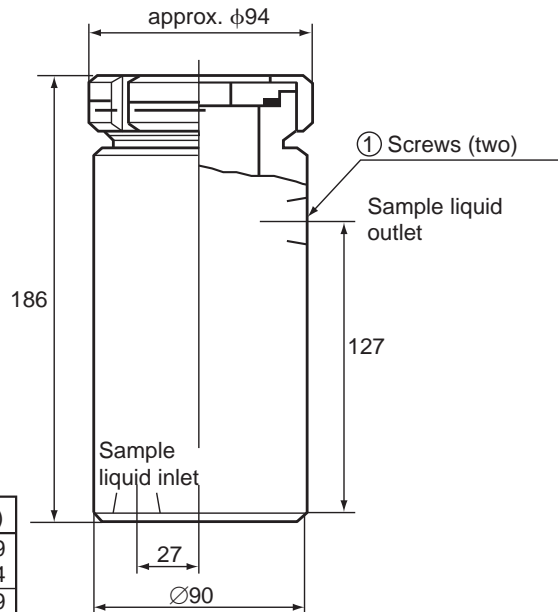


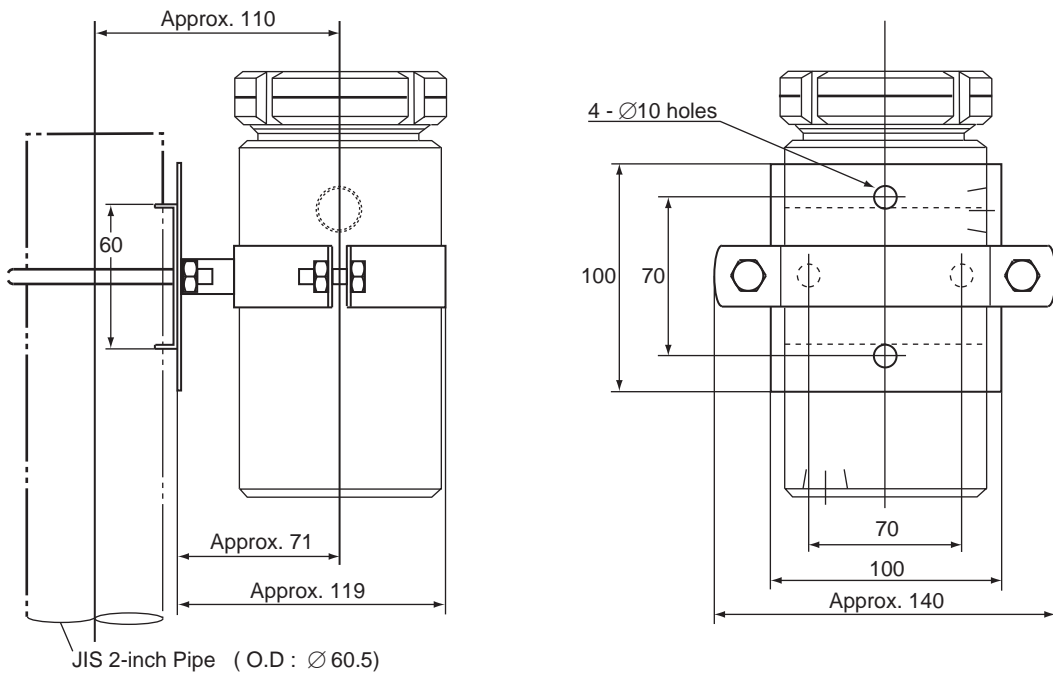
## Model ISC40FFJ- P □, ISC40FFJ- F □ Inductive Conductivity Metering System Flow-through Type Holder

Unit : mm



	Model and Code	①	Weight (kg)
<input type="checkbox"/>	ISC40FFJ - PJ	Rc 1/2	Approx. 0.9
<input type="checkbox"/>	ISC40FFJ - FJ	Rc 1/2	Approx. 1.4
<input type="checkbox"/>	ISC40FFJ - PA	1/2 NPT	Approx. 0.9
<input type="checkbox"/>	ISC40FFJ - FA	female	Approx. 1.4

Option code : / MP      Mounting Bracket      Weight : Approx. 0.5 kg



Unless otherwise specified, differences in the dimensions are specified as : General tolerance=(Criteria of tolerance class IT18 in JIS B0401-1986)/2.