

## 1. GENERAL

### 1.1 DIMENSIONS

The dimensions of the electrodes are shown in figure 1 and 2. These figures also details the electrodes construction.

#### Pt100 or Pt1000.

- Max. process temperature: approx. 150 °C.
- Short response using heat transfer compound.

### 1.2 TYPE NUMBER

The type number of a temperature compensation electrode is SM60(D)-T2 or SM60(D)-T1.

### 1.3 SPECIFICATIONS

The resistance of the electrodes at different temperatures is shown in the tables.

Tolerance:

SM60-T2 (Pt100)	SM60-T1 (Pt1000)
0.10 Ω at 0 °C	1 Ω at 0 °C
0.20 Ω at 100 °C	2 Ω at 100 °C

Speed of response at temperature jumps of

50 °C:	63% in 24 seconds
	97% in 70 seconds

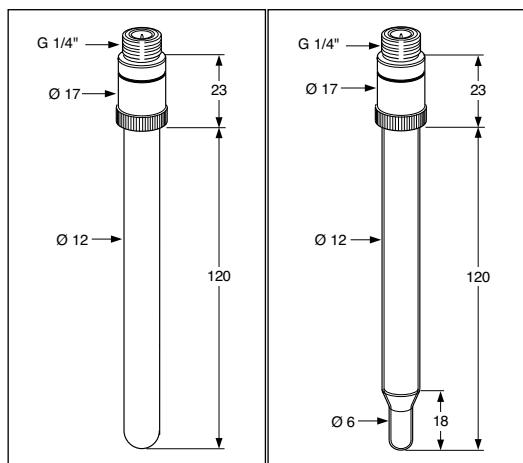


Fig. 1. SM60-T2

Fig. 2. SM60-T1

## 2. INSTALLATION

### 2.1 MOUNTING

The electrode must be connected to an electrode cable (type WU20(D)-PC..) marked with a green strip.

The electrode fits any electrode cable of Yokogawa fitted with the standard nut of which the dimensions are shown in figure 3.

The nut can be ordered under part number K1500DW.

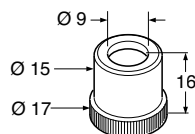


Fig. 3. K1500DW (set of 12 cable nuts).

The mounting of an electrode in an fitting should be carried out as shown in the figure 4 and 5.

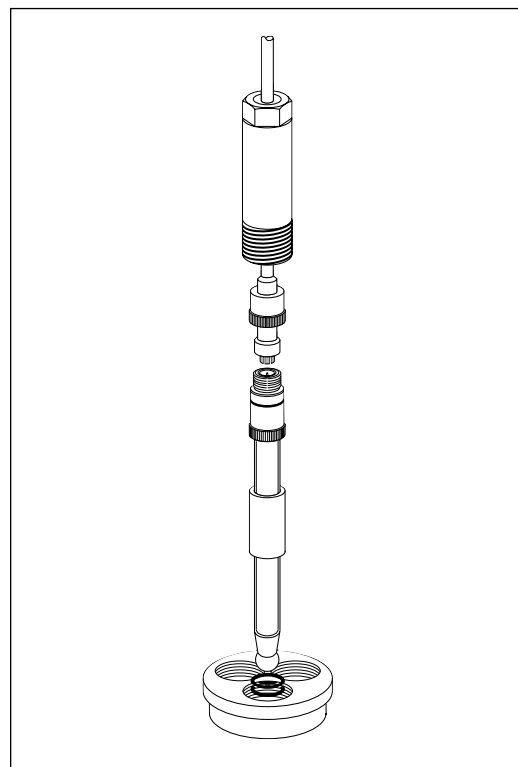


Fig. 4. Standard mounting with mounting set FP20-R12(M), FP20-S12(M)

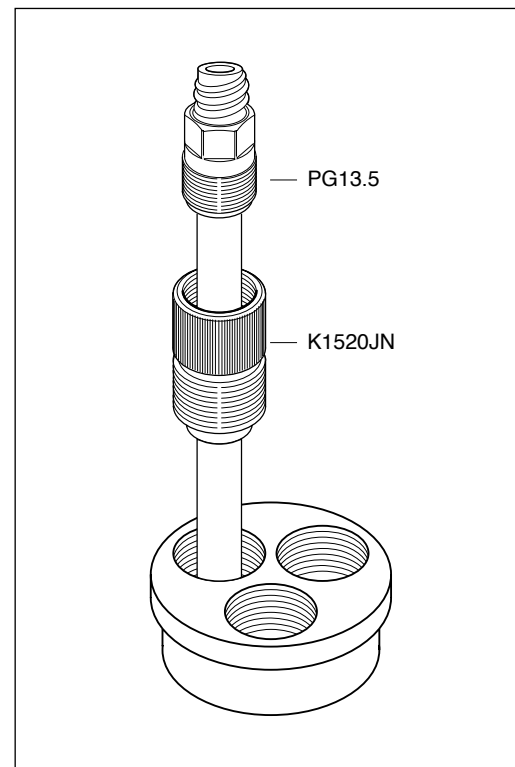


Fig. 5. Mounting PG13,5 in Yokogawa fitting using the adapter K1520JN (PVC-C) or K1500DV (PVDF)

### Pt100 (DIN)

°C	R
-25	90.15
-20	92.13
-15	94.10
-10	96.07
- 5	98.04
0	100.00
5	101.95
10	103.90
15	105.85
20	107.80
25	109.74
30	111.68
35	113.61
40	115.54
45	117.47
50	119.40
55	121.32
60	123.24
65	125.26
70	127.08
75	129.00
80	130.91
85	132.81
90	134.70
95	136.60
100	138.50
105	140.40
110	142.29
115	144.18
120	146.07
125	147.95
130	149.83
135	151.71
140	153.59
145	155.46
150	157.33
155	159.20
160	161.06
165	162.92
170	164.78
175	166.63
180	168.48
185	170.33
190	172.18
195	174.02
200	175.86

### Pt1000

°C	R
-25	901.5
-20	921.3
-15	941.0
-10	960.7
- 5	980.4
0	1000.0
5	1019.5
10	1039.0
15	1058.5
20	1078.0
25	1097.4
30	1116.8
35	1136.1
40	1155.4
45	1174.7
50	1194.0
55	1213.2
60	1232.4
65	1252.6
70	1270.8
75	1290.0
80	1309.1
85	1328.1
90	1347.0
95	1366.0
100	1385.0
105	1404.0
110	1422.9
115	1441.8
120	1460.7
125	1479.5
130	1498.3
135	1517.1
140	1535.9
145	1554.6
150	1573.3
155	1592.0
160	1610.6
165	1629.2
170	1647.8
175	1666.3
180	1684.8
185	1703.3
190	1721.8
195	1740.2
200	1758.6



---

# User Manual

---

## Directions for use Temp. Electrodes

---

**YOKOGAWA** ◆ IM 12B06J01-61E-E  
06-1511

Printed in The Netherlands,  
Subject to change without notice  
Copyright©

