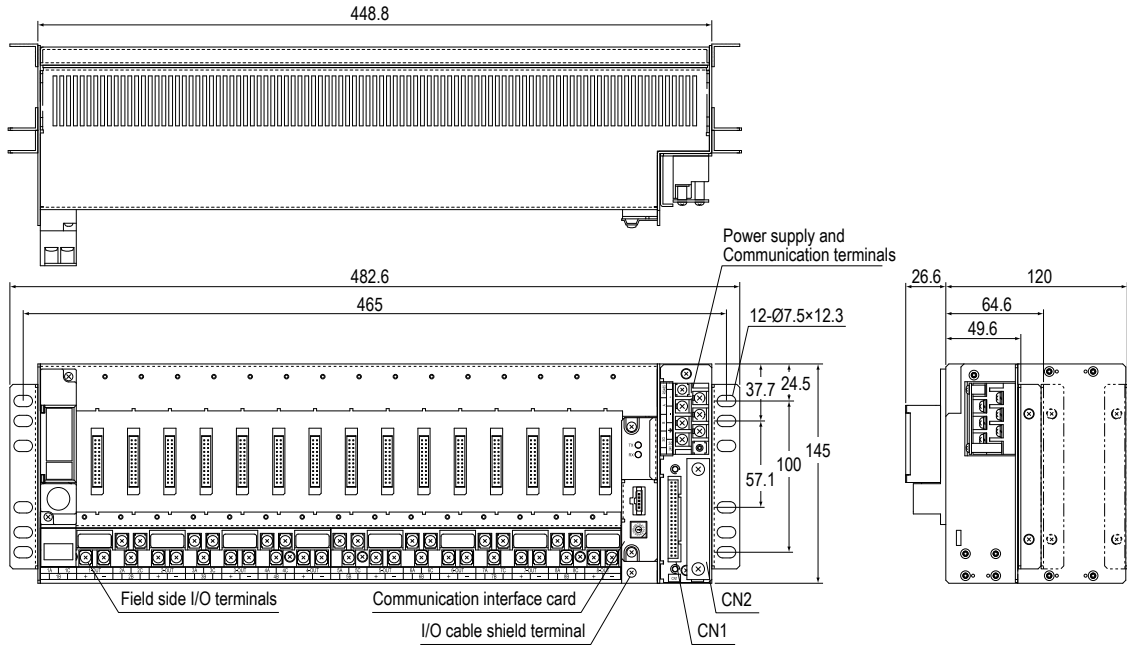


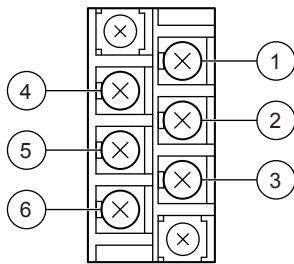
SD 77J05Y53-01E

Unit: mm

External Dimensions



Assignment of Power Supply and Communication Terminals



No.	DME-30+A		DME-32+A	
1	+	24V DC	+	24V DC
2	-		-	
3	≐	GND	≐	GND
4	/		A(-)	RS-485
5			B(+)	
6			SG	

Assignment of Input/Output Terminals

Signal Conditioner	Field side I/O Terminal Symbol			Front Terminal Symbol					
	A	B	C	1	2	3	4	AIR	
DM1	+	Not Connected	-	Not Connected	Not Connected	+	-		
DT5*B				Not Connected	Not Connected	+	-		
DR5				Not Connected	Not Connected	+	-		
DRU						+	-		
DS1				Not Connected	Not Connected	+	-		
DP1	2-wire type (Voltage contact)	+	Not Connected	-	Not Connected	Not Connected	Not Connected		
DP3	Internal power supply 2-wire type	Signal	Power supply	Not Connected			+		-
	Internal power supply 3-wire type	+	Power supply	-			Not Connected		
DH1, DH2, DH5	+	Not Connected	-	Not Connected	Not Connected	+	-		
DA1, DA2, DA5	Available for the combination with BARD 			Not Connected	Not Connected	+	-		
DA7	For 2-wire transmitter 					Not Connected			
DC0, DC7	+	Not Connected	-	Not Connected	Not Connected	Not Connected	Not Connected		
DX1 (*1)	+	Not Connected	-	Not Connected	Not Connected	Not Connected	Not Connected		
DG1	Not Connected	Not Connected	Not Connected			+	-		
DB1	Not Connected	Not Connected	Not Connected			+	-		
DD1	Not Connected	Not Connected	Not Connected			+	-		
DF1	Not Connected	Not Connected	Not Connected	+	-	Not Connected	IN		
DSK	+	Not Connected	-	NO/NC	COM	NO/NC	COM		
				For output signal check		Output 2			

- I/O screw terminal: M4 x 0.7, I/O air piping: Rc1/4 female screw, Air supply piping: Rc3/8 female screw
- In case the output 2 signal is DC current, it can be output from either "CN2" or from "Front terminal."
- (*1) 250 Ω installed type cannot be used as output card (even-numbered slot.)

CAUTION

Connect the input signal line of DG1, DB1, and DD1 to the front terminals 1 and 2 of the signal conditioner. An incorrect connection to the field side terminals of the nest may cause overheating or burning of the nest.