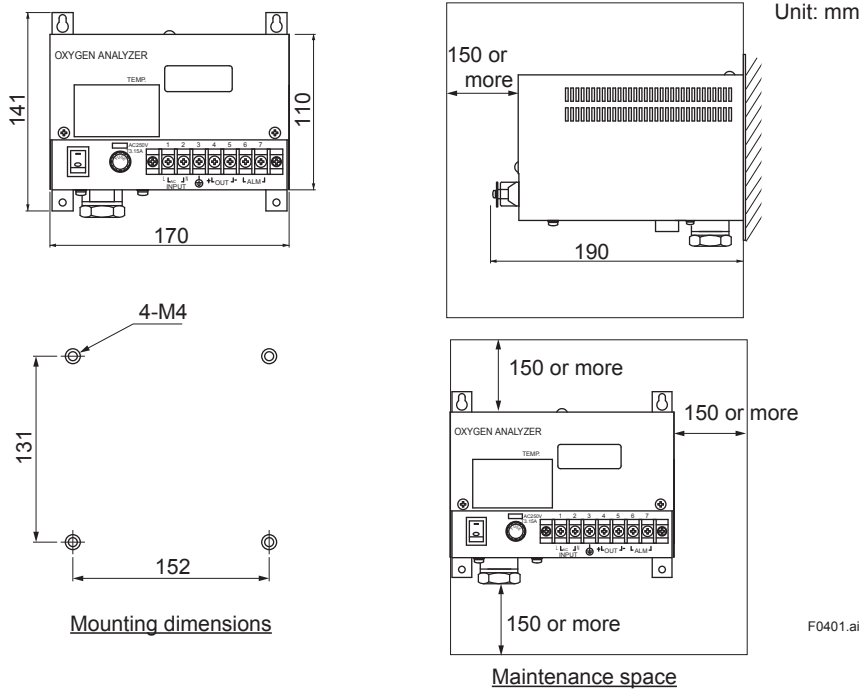


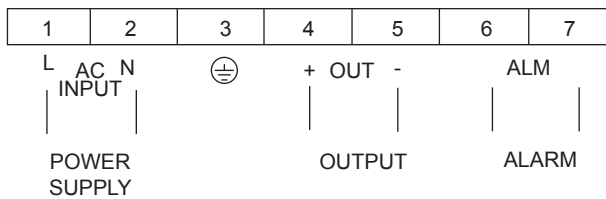
Drawings

Model ZX8D Zirconia Oxygen Analyzer, Detector



Weight: Approx. 3 kg

CONNECTION DIAGRAM



Unless otherwise specified, differences in the dimensions are specified as: General tolerance = \pm (Criteria of tolerance class IT18 in JIS B0401-1986) / 2.