

MOS-4140C

4-ch H.264/MPEG4 MiniPCle Video Capture Card with SDK

NEW



Features

- 2 channel video inputs with H.264/MPEG4 software compression
- 120/100 fps (NTSC/PAL) at up to D1 resolution for recording and display
- Mini PCIe host interface
- Windows/Linux OS supported

FCC CE 

Introduction

MOS-4140C is a Mini PCIe-bus, software compression video capture card with 2 video inputs. MOS-4140C supports H.264 baseline compression format at up to D1 resolution at real-time frame rate (30/25fps). With an easy-to-use software development kit (SDK) and flexibility to stack multiple cards, MOS-4140C is an ideal solution for various video capture applications or video surveillance.

Specifications

Video	Video Standard	Composite for NTSC/PAL
	Video Input	2 x BNC
	Compression	S/W H.264/MPEG4
	Max. Display Rate	30/25 fps (NTSC/PAL) @ D1/ch
	Max. Recording Rate	30/25 fps (NTSC/PAL) @ D1/ch
System Requirements	CPU (Display)	Intel Core 2 Duo E2200 2.2 GHz
	CPU (Recording)	Intel Core 2 Quad Q9400 2.6 GHz
	Memory	2 GB
	VGA	1024 x 768, DirectX 9.0c
	Operating System	Windows XP/XPe/Vista/7; Linux 2.6.14 or higher; 32/64 bits
Physical Characteristics	Host Interface	Mini PCIe
	Operating Temperature	-20 ~ 70° C (-4 ~ 158° F)
	Storing Temperature	-40 ~ 85° C (-40 ~ 185° F)
	Dimensions	30 x 51 mm (1.2" x 2")
	Safety	CE/FCC

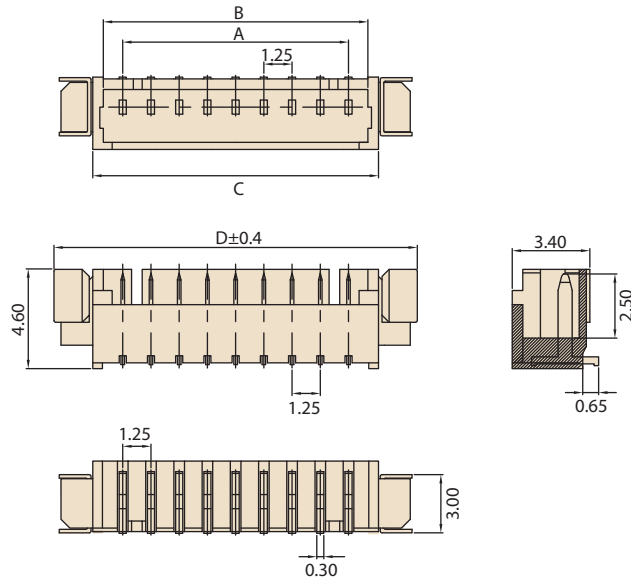
Versatile SDK Support (For Windows Only)

Advantech provides software development kit (SDK), a set of development tools that allows a software engineer to integrate video capture modules into different types of system. Functions include video recording, playback and instant preview.

- Software Library
- SDK Manual
- Sample Program

Connector Dimensions

Unit: mm



CKT.	A	B	C	D
2	1.25	3.05	4.25	7.65
3	2.50	4.30	5.50	8.90
4	3.75	5.55	6.75	10.15
5	5.00	6.80	8.00	11.40
6	6.25	8.05	9.25	12.65
7	7.50	9.30	10.50	13.90
8	8.75	10.56	11.75	15.15
9	10.00	11.80	13.00	16.40
10	11.25	13.05	14.25	17.65
11	12.50	14.30	15.50	18.90
12	13.75	15.55	16.75	20.15
13	15.00	16.80	18.00	21.40
14	16.25	18.05	19.25	22.65
15	17.50	19.30	20.50	23.90

Ordering Information

Part Number	Description
MOS-4140C-Y1201	4-ch H.264/MPEG4 MiniPCIe Video Capture Card with SDK

Packing List

Item	Amount
MOS-4140C-Y1201	1 (piece)