

General Specifications

EJX110B, EJX310B, and EJX430B
Differential Pressure and
Pressure Transmitters



GS 01C27B01-01EN

The high performance differential pressure and pressure transmitters EJX110B, EJX310B, and EJX430B feature single crystal silicon resonant sensor and are suitable to measure liquid, gas, or steam flow as well as liquid level, density, and pressure. These transmitters transmit not only process variables but also the setting parameters using wireless signal. In case of the battery powered type, the transmitters run on internal batteries, and the installation cost can be decreased since hard-wiring is not required. The communication is compliant with ISA100.11a protocol specifications.



FEATURES

- Long Life Battery Design**
 Ultra low current consumption design using two high capacity lithium-thionyl chloride batteries provide wireless operation for years.
- Security Assured Wireless Network Joining**
 Infrared communication between the devices for wireless network configuration and parameter setting.
- Quick Update Time**
 Selectable from 0.5 second to 60 minutes for measured process value to publish wirelessly.

STANDARD SPECIFICATIONS

- WIRELESS SPECIFICATIONS**
 Communication protocol: ISA100.11a protocol
 Data rate: 250 kbps
 Frequency: 2400 - 2483.5 MHz license free ISM band
 Radio security: AES 128 bit codified
 RF Transmitter power: Max. 11.6 dBm
 Antenna: +2 dBi Omni directional monopole type
 Separately sold remote antenna and antenna cables can be used.

POWER SUPPLY SPECIFICATIONS

- Battery:
 Use the dedicated battery pack.
 Rated voltage: 7.2 V
 Rated capacity: 19 Ah
- External Power Source:
 Rated voltage: 10.5 to 30 V DC
 Rated current: 36 mA

SPAN AND RANGE LIMITS

EJX110B

Measurement Span/Range	kPa	inH ₂ O/(D1)	mbar/(D3)	mmH ₂ O/(D4)	
F*	Span	0.1 to 5	0.4 to 20	1 to 50	10 to 500
	Range	-5 to 5	-20 to 20	-50 to 50	-500 to 500
L*	Span	0.1 to 10	0.4 to 40	1 to 100	10 to 1000
	Range	-10 to 10	-40 to 40	-100 to 100	-1000 to 1000
M	Span	0.5 to 100	2 to 400	5 to 1000	50 to 10000
	Range	-100 to 100	-400 to 400	-1000 to 1000	-10000 to 10000
H	Span	2.5 to 500	10 to 2000	25 to 5000	0.025 to 5 kgf/cm ²
	Range	-500 to 500	-2000 to 2000	-5000 to 5000	-5 to 5 kgf/cm ²
V	Span	0.07 to 14 MPa	10 to 2000 psi	0.7 to 140 bar	0.7 to 140 kgf/cm ²
	Range	-0.5 to 14 MPa	-71 to 2000 psi	-5 to 140 bar	-5 to 140 kgf/cm ²

*: F capsule is applicable for wetted parts material code S.
 L capsule is applicable for wetted parts material code other than S.

EJX310B

Measurement Span/Range	kPa abs	psi abs/(D1)	mbar abs (D3)	mmHg abs (D4)	
L	Span	0.5 to 10	0.15 to 2.95 inHg	5 to 100	3.8 to 75
	Range	0 to 10	0 to 2.95 inHg	0 to 100	0 to 75
M	Span	1.3 to 130	0.39 to 38 inHg	13 to 1300	9.8 to 970
	Range	0 to 130	0 to 38 inHg	0 to 1300	0 to 970
A	Span	0.0175 to 3.5 MPa	2.5 to 500	0.175 to 35 bar	0.175 to 35 kgf/cm ²
	Range	0 to 3.5 MPa	0 to 500	0 to 35 bar	0 to 35 kgf/cm ²
B	Span	0.08 to 16 MPa	12 to 2300	0.8 to 160 bar	0.8 to 160 kgf/cm ²
	Range	0 to 16 MPa	0 to 2300	0 to 160 bar	0 to 160 kgf/cm ²

EJX430B

Measurement Span/Range		MPa	psi/(D1)	bar/(D3)	kgf/cm ² /(D4)
H	Span	2.5 to 500 kPa	10 to 2000 inH ₂ O	0.025 to 5	0.025 to 5
	Range	-100 to 500 kPa	-400 to 2000 inH ₂ O	-1 to 5	-1 to 5
A	Span	0.0175 to 3.5	2.5 to 500	0.175 to 35	0.175 to 35
	Range	-0.1 to 3.5	-14.5 to 500	-1 to 35	-1 to 35
B	Span	0.08 to 16	12 to 2300	0.8 to 160	0.8 to 160
	Range	-0.1 to 16	-14.5 to 2300	-1 to 160	-1 to 160

■ **PERFORMANCE SPECIFICATIONS**

Zero-based calibrated span, linear output, wetted parts material code S and silicone oil, in the continuous measurement mode unless otherwise mentioned.

Specification Conformance

EJX series ensures specification conformance to at least $\pm 3\sigma$.

Reference Accuracy of Calibrated Span

(includes terminal-based linearity, hysteresis, and repeatability)

EJX110B

Measurement span		F
Reference accuracy	X ≤ span	±0.04% of Span
	X > span	±(0.015+0.01 URL/span)% of Span
X		2 kPa (8 inH ₂ O)
URL (upper range limit)		5 kPa (20 inH ₂ O)

Measurement span		M
Reference accuracy	X ≤ span	±0.04% of Span
	X > span	±(0.002+0.0019 URL/span)% of Span
X		5 kPa (20 inH ₂ O)
URL (upper range limit)		100 kPa (400 inH ₂ O)

Measurement span		H
Reference accuracy	X ≤ span	±0.04% of Span
	X > span	±(0.005+0.0049 URL/span)% of Span
X		70 kPa (280 inH ₂ O)
URL (upper range limit)		500 kPa (2000 inH ₂ O)

Measurement span		V
Reference accuracy	X ≤ span	±0.04% of Span
	X > span	±(0.005+0.00125 URL/span)% of Span
X		500 kPa (2000 inH ₂ O)
URL (upper range limit)		14 MPa (2000 psi)

EJX310B

Measurement span		L
Reference accuracy	X ≤ span	0.075% of Span
	X > span	(0.02+0.03 URL/span)% of Span
X		5.4 kPa abs (1.6 inHg abs)
URL (upper range limit)		10 kPa abs (2.95 inHg abs)

Measurement span		M
Reference accuracy	X ≤ span	±0.04% of Span
	X > span	±(0.01+0.005 URL/span)% of Span
X		21.4 kPa abs (6.3 inHg abs)
URL (upper range limit)		130 kPa abs (38.4 inHg abs)

Measurement span		A	B
Reference accuracy	X ≤ span	±0.04% of Span	
	X > span	±(0.005+0.0035 URL/span)% of Span	
X		0.35 MPa abs (50 psia)	1.6 MPa abs (230 psia)
URL (upper range limit)		3.5 MPa abs (500 psia)	16 MPa abs (2300 psia)

EJX430B

Measurement span		H
Reference accuracy	X ≤ span	±0.04% of Span
	X > span	±(0.005+0.0049 URL/span)% of Span
X		70 kPa (280 inH ₂ O)
URL (upper range limit)		500 kPa (2000 inH ₂ O)

Measurement span		A	B
Reference accuracy	X ≤ span	±0.04% of Span	
	X > span	±(0.005+0.0035 URL/span)% of Span	
X		0.35 MPa (50 psi)	1.6 MPa (230 psi)
URL (upper range limit)		3.5 MPa (500 psi)	16 MPa (2300 psi)

Square Root Output Accuracy (EJX110B)

The square root accuracy is a percent of flow span.

Output	Accuracy
50% or Greater	Same as reference accuracy
50% to Dropout point	Reference accuracy × 50 Square root output (%)

Ambient Temperature Effects per 28°C (50°F) Change

EJX110B

Capsule	Effect
F	±(0.055% Span+0.18% URL)
M	±(0.04% Span+0.009% URL)
H, V	±(0.04% Span+0.0125% URL)

EJX310B

Capsule	Effect
L	±(0.1% Span+0.35% URL)
M	±(0.04% Span+0.035% URL)
A, B	±(0.04% Span+0.012% URL)

EJX430B

Capsule	Effect
H	±(0.04% Span+0.0125% URL)
A, B	±(0.04% Span+0.009% URL)

• Total Probable Error (EJX110B M capsule)

±0.12% of Span @1:1 to 5:1 Rangedown
 Total probable error, known as a measure of the total performance of the transmitters under the condition of fixed line pressure.

$$\text{Total Probable Error} = \pm \sqrt{E_1^2 + E_2^2 + E_3^2}$$

- E1: Reference Accuracy of Calibrated Span
- E2: Ambient Temperature Effects per 28°C change
- E3: Static Span Effects per 6.9 MPa change

• Total Accuracy (EJX110B M capsule)

±0.12% of Span @1:1 Rangedown
 ±0.25% of Span @5:1 Rangedown
 Total accuracy is a comprehensive measure of transmitter total performance, covering all major factors in actual installation, that cause errors in measurement.
 As a standard measure, YOKOGAWA uses this to evaluate transmitter performance.

$$\text{Total Accuracy} = \pm \sqrt{E_1^2 + E_2^2 + (E_3 + E_4)^2 + E_5^2}$$

- E1: Reference Accuracy of Calibrated Span
- E2: Ambient Temperature Effects per 28°C change
- E3: Static Span Effects per 6.9 MPa change
- E4: Static Zero Effects per 6.9 MPa change
- E5: Overpressure Effects upto overpressure 25 MPa

Not only a day-to-day changes in temperature can affect the measurement and lead to unnoticed errors; fluctuation of line pressure, incorrect operation of three/five valve manifold leading to over-pressure events, and other phenomena can have the similar result. Total Accuracy factors in such changes and errors and provides much comprehensive and practical determination of how a transmitter will perform under actual plant operation.

Static Pressure Effects per 6.9 MPa (1000 psi) Change (EJX110B)

Span Effects

F, M, H, and V capsules

±0.075% of span

Effect on Zero

Capsule	Effect
F	±0.1% URL
M	±0.02% URL
H, V	±0.028% URL

Overpressure Effects (EJX110B)

Overpressure condition: up to maximum working pressure

M, H, and V capsules

±0.03% of URL

Stability (All normal operating condition, including overpressure effects)

EJX110B (M, H, and V capsules) and EJX430B

±0.1% of URL per 10 years

Battery Characteristic

Battery pack with long life lithium-thionyl chloride batteries. With the intrinsically safe type, the battery pack is replaceable in hazardous area.

Typical battery life is 10 years at 30 seconds update time or 5 years at 10 seconds update time in the following conditions.*

- Ambient temperature: 23±2°C
- Device role: IO mode
- LCD display: off

* Environmental condition such as vibration may affect the battery life.

Vibration Effects

Less than 0.1% of URL when tested per the requirements of IEC60770-1 field or pipeline with high vibration level (10-60 Hz, 0.21 mm displacement/60-2000 Hz 3 g)

Mounting Position Effects

EJX110B and EJX430B

Rotation in diaphragm plane has no effect. Tilting up to 90 degree will cause zero shift up to 0.4 kPa (1.6 inH₂O) which can be corrected by the zero adjustment.

EJX310B

Tilting up to 90 degree will cause zero shift up to 0.5 kPa (2.0 inH₂O) which can be corrected by the zero adjustment.

Response Time

EJX110B (Differential pressure)

150 ms for Wetted Parts material code S except for Measurement span code F. 210 ms for Wetted Parts Material Code H, M, T, A, D, and B or Measurement span code F.

EJX310B

150 ms

EJX430B

150 ms

210 ms for H capsule with Wetted Parts Material Code H, M, T, A, D, and B.

Includes dead time of 100 ms (nominal)

Static Pressure Signal Range and Accuracy (EJX110B)

(Includes terminal-based linearity, hysteresis, and repeatability)

Range

Upper Range Value and Lower Range Value of the static pressure can be set in the range between 0 and Maximum Working Pressure (MWP). The upper range value must be greater than the lower range value. Minimum setting span is 0.5 MPa (73 psi). Measuring either the pressure of high pressure side or low pressure side is user-selectable.

Accuracy

Absolute Pressure

1 MPa or higher: ±0.2% of span

Less than 1 MPa: ±0.2%×(1 MPa/span) of span

Gauge Pressure Reference

Gauge pressure reference is 1013 hPa (1 atm)

Note : Gauge pressure variable is based on the above fixed reference and thus subject to be affected by the change of atmospheric pressure.

Minimum Pressure at Calibration* (EJX310B)

L capsule: 130 Pa abs (1 mmHg abs)
 M, A, and B capsules: 2.7 kPa abs (20 mmHg abs)
 * If one or two of the calibration points are smaller than the above value, the above pressure is used for testing.
 In case all of the calibration points are greater than the limit, only the pressure of upper range value (URV) is applied for testing.
 Specifying option code /S1 with M or A capsule will lower the limit to 130 Pa abs.
 /S1 is recommended for M capsule when the specified upper range value (URV) is not exceeding 3.4 kPa abs.

FUNCTIONAL SPECIFICATIONS

Output

Wireless (ISA100.11a protocol) 2.4 GHz signal.
 Output mode, linear or square root, is selectable (EJX110B).

Update Time

Measurement mode	Differential pressure	Pressure
Continuous	100 ms	100 ms
Intermittent	0.5 to 3600 s selectable	0.5 to 3600 s selectable

The transmitter shifts to the continuous mode when the update time is set to 0.5 second.

Zero Adjustment Limits

Zero can be fully elevated or suppressed, within the lower and upper range limits of the capsule.

External Zero Adjustment

External zero is continuously adjustable with 0.01% incremental resolution of span.

Integral Indicator (LCD display)

5-digit numerical display, 6-digit unit display and bar graph.
 The indicator is configurable to display one or up to three of the following variables periodically;
 Differential pressure, static pressure, temperature.
 See also "Factory Setting."

Burst Pressure Limits

69 MPa (10,000 psi) for wetted parts material S except for Measurement span F.
 47 MPa (6,800 psi) for wetted parts material other than S or Measurement span F.

Self Diagnostics

Capsule failure, amplifier failure, configuration error, battery alarm, wireless communication alarm and over-range error for process variables.

Software Download Function

Software download function permits to update wireless field device software via ISA100.11a wireless communication.

Battery Pack

2x primary lithium-thionyl chloride batteries with battery case (batteries sold separately)

NORMAL OPERATING CONDITION

(Optional features or approval codes may affect limits.)

Ambient Temperature Limits

-40 to 85°C (-40 to 185°F)
 -30 to 80°C (-22 to 176°F) LCD visible range

Process Temperature Limits

-40 to 120°C (-40 to 248°F)
 - Except EJX310B L capsule
 -40 to 100°C (-40 to 212°F)
 - EJX310B L capsule

Ambient Humidity Limits

0 to 100% RH

Working Pressure Limits (Silicone oil)

Maximum Pressure Limits

EJX110B	
Capsule	Pressure
F, L	16 MPa (2300 psi)
M, H, V	25 MPa (3600 psi)*

* 16 MPa for wetted parts material code H, M, T, A, D, and B.

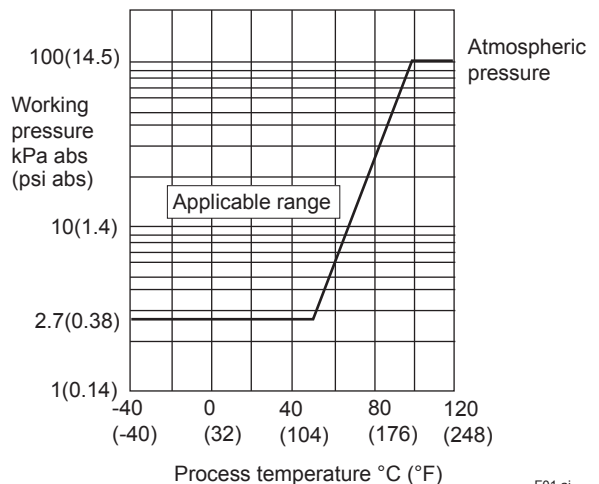
EJX310B	
Capsule	Pressure
L	10 kPa abs (2.95 inHg abs)
M	130 kPa abs (38 inHg abs)
A	3.5 MPa abs (500 psia)
B	16 MPa abs (2300 psia)

EJX430B	
Capsule	Pressure
H	500 kPa (2000 inH ₂ O)
A	3.5 MPa (500 psi)
B	16 MPa (2300 psi)

Minimum Pressure Limit

See graph below

EJX110B and EJX430B



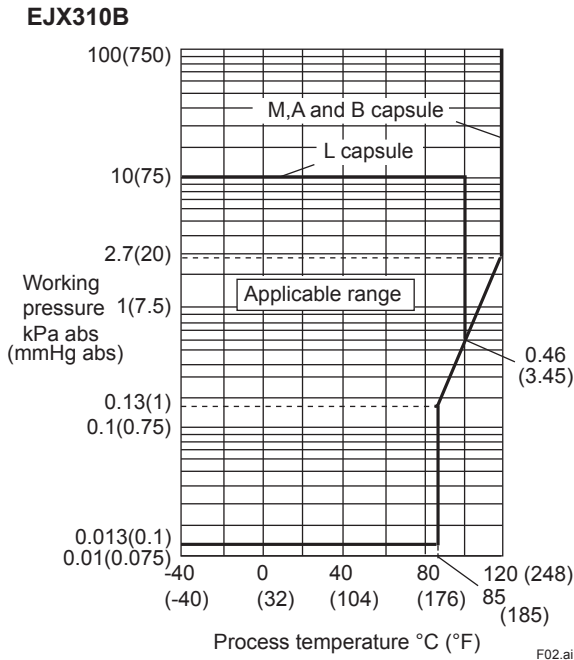


Figure 1. Working Pressure and Process Temperature

Maximum Over Pressure

EJX310B

Capsule	Pressure
L, M	500 kPa abs (72 psia)
A	16 MPa abs (2300 psia)
B	25 MPa abs (3600 psia)

EJX430B

Capsule	Pressure
H, A	16 MPa (2300 psi)
B	25 MPa (3600 psi)*

* 24 MPa for wetted parts material H, M, T, A, D, and B.

REGULATORY COMPLIANCE STATEMENTS

This device contains the wireless module which satisfies the following standards.

- * Please confirm that an installation region fulfills an applicable standard. If additional regulatory information and approvals are required, contact a Yokogawa representative.

EMC Conformity Standards

EN61326-1 Class A, Table 2 (For use in industrial locations), EN61326-2-3

Radio Equipment Directive (RE)

EN 300 328, EN 301 489-1, EN 301 489-17, EN61010-1, EN61010-2-030, EN62311

- Indoor/Outdoor use

European Pressure Equipment Directive

2014/68/EU
Sound Engineering Practice (for all capsules)

With option code /PE3 (for EJX110B M, H, and V capsules and wetted parts material code S.)
Category III, Module H, Type of Equipment: Pressure Accessory-Vessel, Type of Fluid: Liquid and Gas, Group of Fluid: 1 and 2

EU RoHS Directive

EN IEC 63000

Safety Requirement Standards

- EN61010-1, EN61010-2-030
- Installation category: I (Anticipated transient overvoltage 330 V)
- Pollution degree: 2
- Indoor/Outdoor use

Regulation Conformity of the Wireless Module

- FCC Approval
- ISED Approval

PHYSICAL SPECIFICATIONS

Wetted Parts Materials

Diaphragm, Cover Flange, Process Connector, Capsule Gasket, and Vent/Drain Plug
Refer to "MODEL AND SUFFIX CODES."

Process Connector Gasket

PTFE Teflon
Fluorinated rubber for option code N2 and N3

Non-wetted Parts Materials

Bolting

B7 carbon steel, 316L SST, or 660 SST

Housing

Low copper cast aluminum alloy

Coating of housing

[for aluminum housing]
Polyester resin powder coating
Mint-green paint (Munsell 5.6BG 3.3/2.9 or its equivalent)
[for option code /P□ or /X2]
Epoxy and polyurethane resin solvent coating

Degrees of Protection

IP66/IP67, Type 4X

Cover O-rings

Buna-N

Name plate and tag

316 SST tag plate wired onto transmitter

Fill Fluid

Silicone, fluorinated oil (optional)

Weight

- 4.9 kg (10.8 lb)*
- Wetted parts material code: S (except for Measurement span code F)
- 5.8 kg (12.8 lb)*
- Wetted parts material code: H, M, T, A, B, D or Measurement span code: F
- * The weight does not include that of battery pack, mounting bracket and process connector. Add 0.3kg for the external powered type.

Connections

Refer to "MODEL AND SUFFIX CODES."
Process connection of cover flange: IEC61518

< Related Instruments >

- Field Wireless System: Refer to GS 01W01A01-01EN
- Field Wireless Management Station YFGW410: GS 01W02D01-01EN
- Field Wireless Access Point YFGW510: GS 01W02E01-01EN
- Field Wireless Access Point YFGW520: GS 01W02E02-01EN
- Field Wireless Media Converter YFGW610: GS 01W02D02-01EN

■ MODEL AND SUFFIX CODES

Model EJX110B

Model	Suffix Codes	Description
EJX110B	Differential pressure transmitter
Output signal	-1	Wireless communication (ISA100.11a protocol); successor of code -L
Measurement span (capsule)	F	0.1 to 5 kPa (0.4 to 20 inH ₂ O) (For wetted parts material code S)
	L	0.1 to 10 kPa (0.4 to 40 inH ₂ O) (For wetted parts material code M, H, T, A, D and B)
	M	0.5 to 100 kPa (2 to 400 inH ₂ O)
	H	2.5 to 500 kPa (10 to 2000 inH ₂ O)
	V	0.07 to 14 MPa (10 to 2000 psi)
Wetted parts material*1	<input type="checkbox"/>	Refer to "Wetted Parts Materials" Table.
Process connections	0	without process connector (Rc1/4 female on the cover flanges)
	1	with Rc1/4 female process connector
	2	with Rc1/2 female process connector
	3	with 1/4 NPT female process connector
	4	with 1/2 NPT female process connector
	5	without process connector (1/4 NPT female on the cover flanges)
Bolts and nuts materia	J	B7 carbon steel
	G	316L SST
	C	660 SST
Installation	-7	Vertical piping, left side high pressure, and process connection downside
	-8	Horizontal piping and right side high pressure
	-9	Horizontal piping and left side high pressure
	-B	Bottom Process Connection, left side high pressure*2
	-U	Universal flange*3
Amplifier housing	8	Cast aluminum alloy with detachable antenna (2 dBi)*5
	9	Cast aluminum alloy without antenna (N connector)*4*5
Electrical connection	J	No electrical connection, battery powered type (battery case only; battery cells not included)
	0	G1/2 female, one electrical connection without blind plugs, external powered type
	2	1/2 NPT female, two electrical connections without blind plugs, external powered type
	4	M20 female, two electrical connections without blind plugs, external powered type
	5	G1/2 female, two electrical connections and a blind plug, external powered type*6
	7	1/2 NPT female, two electrical connections and a blind plug, external powered type*6
	9	M20 female, two electrical connections and a blind plug, external powered type*6
	A	G1/2 female, two electrical connections and a 316 SST blind plug, external powered type
	C	1/2 NPT female, two electrical connections and a 316 SST blind plug, external powered type
	D	M20 female, two electrical connections and a 316 SST blind plug, external powered type
Integral indicator	D	Digital indicator
Mounting bracket	B	304 SST 2-inch pipe mounting, flat type (for horizontal piping)
	D	304 SST or SCS13A 2-inch pipe mounting, L type (for vertical piping)
	K	316 SST or SCS14A 2-inch pipe mounting, L type (for vertical piping)
	M	316 SST or SCS14A 2-inch pipe mounting (for bottom process connection type)
	N	None
Optional codes		/ <input type="checkbox"/> Optional specification

The "▶" marks indicate the most typical selection for each specification.

*1: ⚠ Users must consider the characteristics of selected wetted parts material and the influence of process fluids. The use of inappropriate materials can result in the leakage of corrosive process fluids and cause injury to personnel and/or damage to plant facilities. It is also possible that the diaphragm itself can be damaged and that material from the broken diaphragm and the fill fluid can contaminate the user's process fluids.

Be very careful with highly corrosive process fluids such as hydrochloric acid, sulfuric acid, hydrogen sulfide, sodium hypochlorite, and high-temperature steam (150°C [302°F] or above). Contact Yokogawa for detailed information of the wetted parts material.

*2: Applicable for wetted parts material code S.

*3: Applicable for wetted parts material code S.

*4: Order the antenna separately from accessory option.

*5: Remote antenna cables can be attached. Order separately from accessory option.

*6: Material of a blind plug; aluminum alloy for code 5 and 9, and 304 SST for code 7.

Table. Wetted Parts Materials

Wetted parts material code	Cover flange and process connector	Capsule	Capsule gasket	Vent/Drain plug
S #	ASTM CF-8M *1*5	Hastelloy C-276 *2 (Diaphragm) F316L SST, 316L SST (Others)	Teflon-coated 316L SST	316 SST
H #	ASTM CF-8M *1*5	Hastelloy C-276 *2	PTFE Teflon	316 SST
M #	ASTM CF-8M *1*5	Monel	PTFE Teflon	316 SST
T	ASTM CF-8M *1*5	Tantalum	PTFE Teflon	316 SST
A #	Hastelloy C-276 equivalent *3	Hastelloy C-276 *2	PTFE Teflon	Hastelloy C-276 *2
D	Hastelloy C-276 equivalent *3	Tantalum	PTFE Teflon	Hastelloy C-276 *2
B #	Monel equivalent *4	Monel	PTFE Teflon	Monel

- *1: Cast version of 316 SST. Equivalent to SCS14A.
 - *2: Hastelloy C-276 or ASTM N10276.
 - *3: Indicated material is equivalent to ASTM CW-12MW.
 - *4: Indicated material is equivalent to ASTM M35-2.
 - *5: Intergranular corrosion test passed according to ASTM A262 Practice E.
- The # marks indicate the construction materials conform to NACE material recommendations per MR0175/ISO15156. Please refer to the latest standards for details. Selected materials also conform to NACE MR0103.

Model EJX310B

Model	Suffix Codes	Description
EJX310B	Absolute pressure transmitter
Output signal	-1	Wireless communication (ISA100.11a protocol); successor of code -L
Measurement span (capsule)	L M A B	0.5 to 10 kPa abs (0.15 to 2.95 inHg abs) 1.3 to 130 kPa abs (0.39 to 38 inHg abs) 0.0175 to 3.5 MPa abs (2.5 to 500 psia) 0.08 to 16 MPa abs (12 to 2300 psia)
Wetted parts material*1	S	Refer to "Wetted Parts Materials" Table.
Process connections	0 1 2 3 4 5	without process connector (Rc1/4 female on the cover flanges) with Rc1/4 female process connector with Rc1/2 female process connector with 1/4 NPT female process connector with 1/2 NPT female process connector without process connector (1/4 NPT female on the cover flanges)
Bolts and nuts materia	J G C	B7 carbon steel 316L SST 660 SST
Installation	-3 -7 -8 -9 -B -U	Vertical piping, right side high pressure, and process connection down side Vertical piping, left side high pressure, and process connection down side Horizontal piping and right side high pressure Horizontal piping and left side high pressure Bottom Process Connection, left side high pressure Universal flange
Amplifier housing	8 9	Cast aluminum alloy with detachable antenna (2 dBi)*3 Cast aluminum alloy without antenna (N connector)*2*3
Electrical connection	J 0 2 4 5 7 9 A C D	No electrical connection, battery powered type (battery case only; battery cells not included) G1/2 female, one electrical connection without blind plugs, external powered type 1/2 NPT female, two electrical connections without blind plugs, external powered type M20 female, two electrical connections without blind plugs, external powered type G1/2 female, two electrical connections and a blind plug, external powered type*4 1/2 NPT female, two electrical connections and a blind plug, external powered type*4 M20 female, two electrical connections and a blind plug, external powered type*4 G1/2 female, two electrical connections and a 316 SST blind plug, external powered type 1/2 NPT female, two electrical connections and a 316 SST blind plug, external powered type M20 female, two electrical connections and a 316 SST blind plug, external powered type
Integral indicator	D	Digital indicator
Mounting bracket	B D K M N	304 SST 2-inch pipe mounting, flat type (for horizontal piping) 304 SST or SCS13A 2-inch pipe mounting, L type (for vertical piping) 316 SST or SCS14A 2-inch pipe mounting, L type (for vertical piping) 316 SST or SCS14A 2-inch pipe mounting (for bottom process connection type) None
Optional codes		/□ Optional specification

The "►" marks indicate the most typical selection for each specification.

- *1: Δ Users must consider the characteristics of selected wetted parts material and influence of process fluids. Specifying inappropriate materials has the potential to cause serious damage to human body and plant facilities resulted from an unexpected leak of the corrosive process fluids.
- *2: Order the antenna separately from accessory option.
- *3: Remote antenna cables can be attached. Order separately from accessory option.
- *4: Material of a blind plug; aluminum alloy for code 5 and 9, and 304 SST for code 7.

Table. Wetted Parts Materials

Wetted parts material code	Cover flange and process connector	Capsule	Capsule gasket	Vent/Drain plug
S #	ASTM CF-8M *1*3	Hastelloy C-276 *2 (Diaphragm) F316L SST, 316L SST (Others)	Teflon-coated 316L SST	316 SST

- *1: Cast version of 316 SST. Equivalent to SCS14A.
 - *2: Hastelloy C-276 or ASTM N10276.
 - *3: Intergranular corrosion test passed according to ASTM A262 Practice E.
- The # marks indicate the construction materials conform to NACE material recommendations per MR0175/ISO15156. Please refer to the latest standards for details. Selected materials also conform to NACE MR0103.

Model EJX430B

Model	Suffix Codes	Description
EJX430B	Gauge pressure transmitter
Output signal	-1	Wireless communication (ISA100.11a protocol); successor of code -L
Measurement span (capsule)	H	2.5 to 500 kPa (10 to 2000 inH ₂ O)
	A	0.0175 to 3.5 MPa (2.5 to 500 psi)
	B	0.08 to 16 MPa (12 to 2300 psi)
Wetted parts material*1	<input type="checkbox"/>	Refer to "Wetted Parts Materials" Table.
Process connections	0	without process connector (Rc1/4 female on the cover flanges)
	1	with Rc1/4 female process connector
	2	with Rc1/2 female process connector
	3	with 1/4 NPT female process connector
	4	with 1/2 NPT female process connector
	5	without process connector (1/4 NPT female on the cover flanges)
Bolts and nuts materia	J	B7 carbon steel
	G	316L SST
	C	660 SST
Installation	-3	Vertical piping, right side high pressure, and process connection down side
	-7	Vertical piping, left side high pressure, and process connection down side
	-8	Horizontal piping and right side high pressure
	-9	Horizontal piping and left side high pressure
	-B	Bottom Process Connection, left side high pressure*2
	-U	Universal flange*2
Amplifier housing	8	Cast aluminum alloy with detachable antenna (2 dBi)*4
	9	Cast aluminum alloy without antenna (N connector)*3*4
Electrical connection	J	No electrical connection, battery powered type (battery case only; battery cells not included)
	0	G1/2 female, one electrical connection without blind plugs, external powered type
	2	1/2 NPT female, two electrical connections without blind plugs, external powered type
	4	M20 female, two electrical connections without blind plugs, external powered type
	5	G1/2 female, two electrical connections and a blind plug, external powered type*5
	7	1/2 NPT female, two electrical connections and a blind plug, external powered type*5
	9	M20 female, two electrical connections and a blind plug, external powered type*5
	A	G1/2 female, two electrical connections and a 316 SST blind plug, external powered type
	C	1/2 NPT female, two electrical connections and a 316 SST blind plug, external powered type
	D	M20 female, two electrical connections and a 316 SST blind plug, external powered type
Integral indicator	D	Digital indicator
Mounting bracket	B	304 SST 2-inch pipe mounting, flat type (for horizontal piping)
	D	304 SST or SCS13A 2-inch pipe mounting, L type (for vertical piping)
	K	316 SST or SCS14A 2-inch pipe mounting, L type (for vertical piping)
	M	316 SST or SCS14A 2-inch pipe mounting (for bottom process connection type)
	N	None
Optional Codes	<input type="checkbox"/>	/Optional specification

The "►" marks indicate the most typical selection for each specification.

- *1: Users must consider the characteristics of selected wetted parts material and the influence of process fluids. The use of inappropriate materials can result in the leakage of corrosive process fluids and cause injury to personnel and/or damage to plant facilities. It is also possible that the diaphragm itself can be damaged and that material from the broken diaphragm and the fill fluid can contaminate the user's process fluids.
Be very careful with highly corrosive process fluids such as hydrochloric acid, sulfuric acid, hydrogen sulfide, sodium hypochlorite, and high-temperature steam (150°C [302°F] or above). Contact Yokogawa for detailed information of the wetted parts material.
- *2: Applicable for Wetted parts material code S.
- *3: Order the antenna separately from accessory option.
- *4: Remote antenna cables can be attached. Order separately from accessory option.
- *5: Material of a blind plug; aluminum alloy for code 5 and 9, and 304 SST for code 7.

Table. Wetted Parts Materials

Wetted parts material code	Cover flange and process connector	Capsule	Capsule gasket	Vent/Drain plug
S #	ASTM CF-8M *1*5	Hastelloy C-276 *2 (Diaphragm) F316L SST, 316L SST (Others)	Teflon-coated 316L SST	316 SST
H #	ASTM CF-8M *1*5	Hastelloy C-276 *2	PTFE Teflon	316 SST
M #	ASTM CF-8M *1*5	Monel	PTFE Teflon	316 SST
T	ASTM CF-8M *1*5	Tantalum	PTFE Teflon	316 SST
A #	Hastelloy C-276 equivalent *3	Hastelloy C-276 *2	PTFE Teflon	Hastelloy C-276 *2
D	Hastelloy C-276 equivalent *3	Tantalum	PTFE Teflon	Hastelloy C-276 *2
B #	Monel equivalent *4	Monel	PTFE Teflon	Monel

- *1: Cast version of 316 SST. Equivalent to SCS14A.
 - *2: Hastelloy C-276 or ASTM N10276.
 - *3: Indicated material is equivalent to ASTM CW-12MW.
 - *4: Indicated material is equivalent to ASTM M35-2.
 - *5: Intergranular corrosion test passed according to ASTM A262 Practice E.
- The # marks indicate the construction materials conform to NACE material recommendations per MR0175/ISO15156. Please refer to the latest standards for details. Selected materials also conform to NACE MR0103.

■ OPTIONAL SPECIFICATIONS (For Explosion Protected type)

Please select appropriate equipment in accordance with the laws and regulations of the relevant country/region, when it is used in a location where explosive atmospheres may be present.

Item	Description	Code
Factory Mutual (FM)	FM Intrinsically safe Approval Applicable Standard: Class 3600:2011, Class 3610:2015, Class 3611:2016, Class 3810:2005, ANSI/UL-60079-0-2013, ANSI/UL-60079-11-2014, NEMA-250:2003 Intrinsically Safe for Class I, Division 1, Groups A, B, C & D, Class II, Division 1, Groups E, F & G and Class III, Division 1, Class I, Zone 0, in Hazardous Locations, AEx ia IIC Nonincendive for Class I, Division 2, Groups A, B, C & D, Class II, Division 2, Groups F & G and Class III, Division 1, Class I, Zone 2, Group IIC, in Hazardous Locations Enclosure: Type 4X, Temp. Class: T4, Amb. Temp.: -50 to 70°C (-58 to 158°F)	FS17*1
ATEX	ATEX Intrinsically safe Approval Applicable Standard: EN IEC 60079-0, EN 60079-11, EN 60079-28 Certificate: KEMA 10ATEX0164 X II 1 G Ex ia op is IIC T4 Ga Degree of protection: IP66/IP67 Process temperature: -50°C ≤ Tp ≤ +120°C (-58°F ≤ Tp ≤ +248°F) Ambient temperature: -50°C ≤ Ta ≤ +70°C (-58°F ≤ Ta ≤ +158°F)	KS27*1
Canadian Standards Association (CSA)	CSA Intrinsically safe Approval No. CSA10CA2325443X Applicable standard: CAN/CSA-C22.2 No.94, C22.2 No.213, CAN/CSA-C22.2 No.61010-1, CAN/CSA-C22.2 No.60079-0, CAN/CSA-C22.2 No.60079-11, CAN/CSA-C22.2 No.60529 Ex ia IIC T4 Ga Intrinsically Safe for Class I, Division 1, Groups A, B, C & D, Class II, Division 1, Groups E, F & G, Class III, Division 1. Nonincendive for Class I, Division 2, Groups A, B, C & D, Class II, Division 2, Groups F & G, Class III, Division 1 Enclosure: IP66/IP67 and Type 4X Temperature Code: T4 Maximum Process Temp.(Tp):120°C (248°F) Amb. Temp.(Tamb): -50 to 70°C (-58 to 158°F)	CS17*1
IECEX	IECEX Intrinsically safe Approval Applicable Standard: IEC 60079-0, IEC 60079-11, IEC 60079-28 Certificate: IECEX KEM 10.0074 X Ex ia op is IIC T4 Ga Enclosure: IP66/IP67 Process temperature: -50°C ≤ Tp ≤ +120°C (-58°F ≤ Tp ≤ +248°F) Ambient temperature: -50°C ≤ Ta ≤ +70°C (-58°F ≤ Ta ≤ +158°F)	SS27*1

*1: Only applicable for selecting Electrical connection code J.

OPTIONAL SPECIFICATIONS

Item		Description	Code	
Painting	Color change	Amplifier cover only	P□	
	Coating change	Anti-corrosion coating *1	X2	
Oil-prohibited use*2		Degrease cleansing treatment	K1	
		Degrease cleansing treatment and with fluorinated oilfilled capsule. Operating temperature -20 to 80°C (-4 to 176°F)	K2	
Oil-prohibited use with dehydrating treatment*2		Degrease cleansing treatment and dehydrating treatment	K5	
		Degrease cleansing treatment and dehydrating treatment with fluorinated oilfilled capsule. Operating temperature -20 to 80°C (-4 to 176°F)	K6	
Capsule fill fluid		Fluorinated oil filled in capsule Operating temperature -20 to 80°C (-4 to 176°F)	K3	
Calibration units*3	P calibration (psi unit)	(See Table for Span and Range Limits.)	D1	
	bar calibration (bar unit)		D3	
	M calibration (kgf/cm ² unit)		D4	
Long vent*4		Total length: 119 mm (standard: 34 mm); Total length when combining with option code K1, K2, K5, and K6: 130 mm. Material: 316 SST	U1	
Gold-plated capsule gasket*5		Gold-plated 316L SST capsule gasket. Without drain and vent plugs.	GS	
Gold-plated diaphragm*6		Surface of isolating diaphragms are gold plated, effective for hydrogen permeation.	A1	
130 Pa abs calibration*7		Minimum input puresure at calibration testing: 130 Pa abs (1 mmHg abs)	S1	
Body option*8		Without drain and vent plugs.	N1	
		N1 and Process connection, based on IEC61518 with female thread on both sides of cover flange, with blind kidney flanges on back.	N2	
		N2 and Material certificate for cover flange, diaphragm, capsule body, and blind kidney flange.	N3	
European Pressure Directive*9		PED 2014/68/EU Category III, Module H, Type of Equipment: Pressure Accessory-Vessel, Type of Fluid: Liquid and Gas, Group of Fluid: 1 and 2.	PE3	
Material certificate*10		Cover flange*11	M01	
		Cover flange, Process connector*12	M11	
Pressure test/ Leak test certificate		Nitrogen(N ₂) Gas*18 Retention time: one minute	Test Pressure: 16 MPa (2300 psi)*13	T12
			Test Pressure: 25 MPa (3600 psi)*14	T13
			Test Pressure: 3.5 MPa (500 psi)*15	T01
			Test Pressure: 500 kPa (2000 inH ₂ O)*16	T11
			Test Pressure: 50 kPa (200 inH ₂ O)*17	T04
Calibration certificate		Text, Traceability	L4	
		Text, Traceability, Primary standards list	L5	
		Text, Traceability, Primary standards list, Calibration equipment list	L6	
		Text, Traceability, Primary standards list, Calibration equipment list, Calibration equipment certificate	L9	

- *1: Not applicable with color change option.
- *2: Applicable for Wetted parts material code S, H, M, and T.
- *3: The unit of MWP (Max. working pressure) on the name plate of the housing is the same unit as specified by Option code D1, D3, and D4.
- *4: Applicable for vertical impulse piping type (Installation code -7) and Wetted parts material code S, H, M, and T.
- *5: Applicable for wetted parts material code S; process connection code 0 and 5; and installation code -8 and -9. Not applicable for option code U1, N2, N3 and M11. No PTFE is used for wetted parts.
- *6: Applicable for wetted parts material code S. Overpressure effects for EJX110B M, H, and V capsules: ±0.06% of URL.
- *7: Applicable only for EJX310B M and A capsules whose upper range value is set as smaller than 53.3 kPa abs.
- *8: Applicable for Wetted parts material code S, H, M, and T; Process connection code 3, 4, and 5; Installation code 9; and Mounting bracket code N. Process connection faces on the other side of zero adjustment screw.
- *9: Applicable for M, H and V capsules of EJX110B with wetted parts material code S.
- *10: Material traceability certification, per EN 10204 3.1B.
- *11: Applicable for Process connections code 0 and 5.
- *12: Applicable for Process connections code 1, 2, 3, and 4.
- *13: Applicable for Capsule code F of EJX110B, Capsule code B of EJX430B and EJX310B, and all the capsules of EJX110B with wetted parts maerial code H, M, T, A, D, and B.
- *14: Applicable for Capsule code M, H, and V of EJX110B with wetted parts material code S.
- *15: Applicable for Capsule code A of EJX430B and EJX310B.
- *16: Applicable for Capsule code H of EJX430B.
- *17: Applicable for Capsule code L and M of EJX310B.
- *18: Pure nitrogen gas is used for oil-prohibited use (Option code K1, K2, K5, and K6).

■ OPTIONAL ACCESSORIES

Product	Part number	Specification
Battery pack assembly	F9915NQ*1	Battery case, Lithium-thionyl chloride batteries 2 pieces
Batteries*2	F9915NR	Lithium-thionyl chloride batteries, 2 pieces
Battery case	F9915NK*3	Battery case only
Remote antenna cable	F9915KU	3 m with mounting bracket
	F9915KV	13 m (3 m+10 m), with a surge protective device and mounting bracket
Antenna	F9915KW	2 dBi standard antenna
	F9915KY	6 dBi high gain antenna*4*5

*1: If you need F9915MA, please purchase F9915NQ. F9915NQ is a set of F9915MA and instruction manual.

*2: Alternatively, Tadiran SL-2780/S, TL-5930/S or VITZROCELL SB-D02 batteries can be purchased from your local distributor.

*3: If you need F9915NS, please purchase F9915NK. F9915NK is a set of F9915NS and instruction manual.

*4: Use of high gain antenna is limited by local regulation of radio and telecommunication law. Consult Yokogawa for details.

*5: F9915KY can not connect directly to the transmitter. Remote antenna cable is required to use F9915KY.

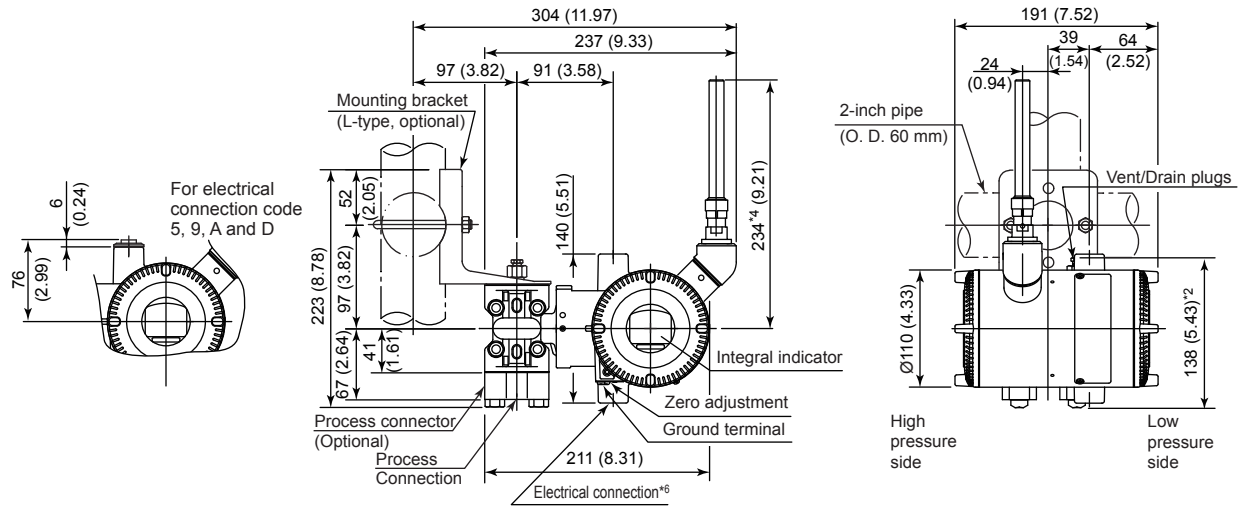
■ DIMENSIONS

Unit: mm (approx. inch)

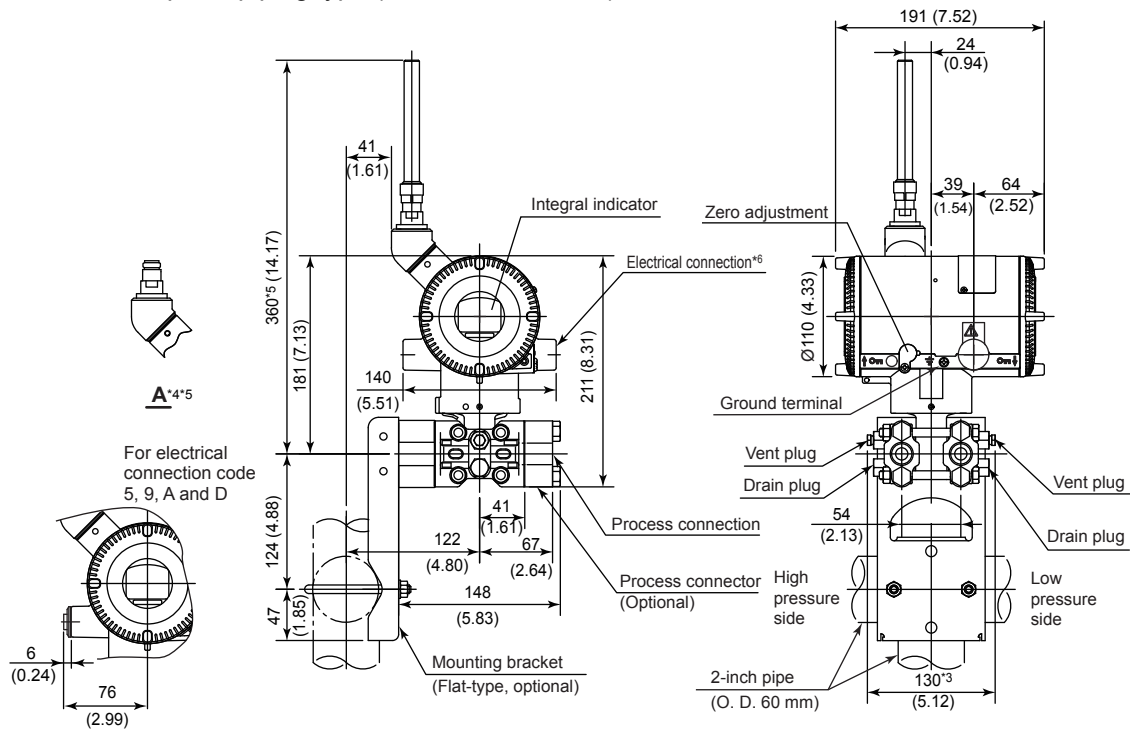
[EJX110B]

Wetted parts material code: S (except for Measurement span code F)

● Vertical impulse piping type (Installation code -7)



● Horizontal impulse piping type (Installation code -9) *1



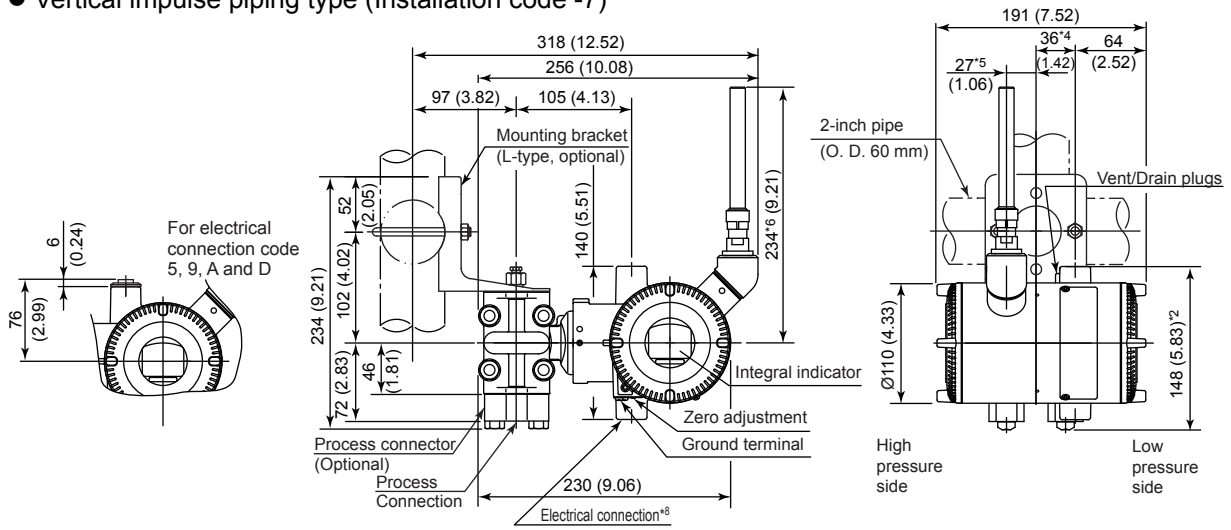
*1: When installation code -8 is selected, high and low pressure side on above figure are reversed. (i.e. High pressure side is on the right side.)
 *2: When option code K1, K2, K5, or K6 is selected, add 15 mm (0.59 inch) to the value in the figure.
 *3: When option code K1, K2, K5, or K6 is selected, add 30 mm (1.18 inch) to the value in the figure.
 *4: When amplifier housing code 9 is selected, the value is 114 mm (4.49 inch). In this case, the figure is shown as A.
 *5: When amplifier housing code 9 is selected, the value is 240 mm (9.45 inch). In this case, the figure is shown as A.
 *6: Applicable for the external powered type.
 *7: When electrical connection code 7 or C is selected, a blind plug is protruded upto 8 mm from the electrical connection.

F03.ai

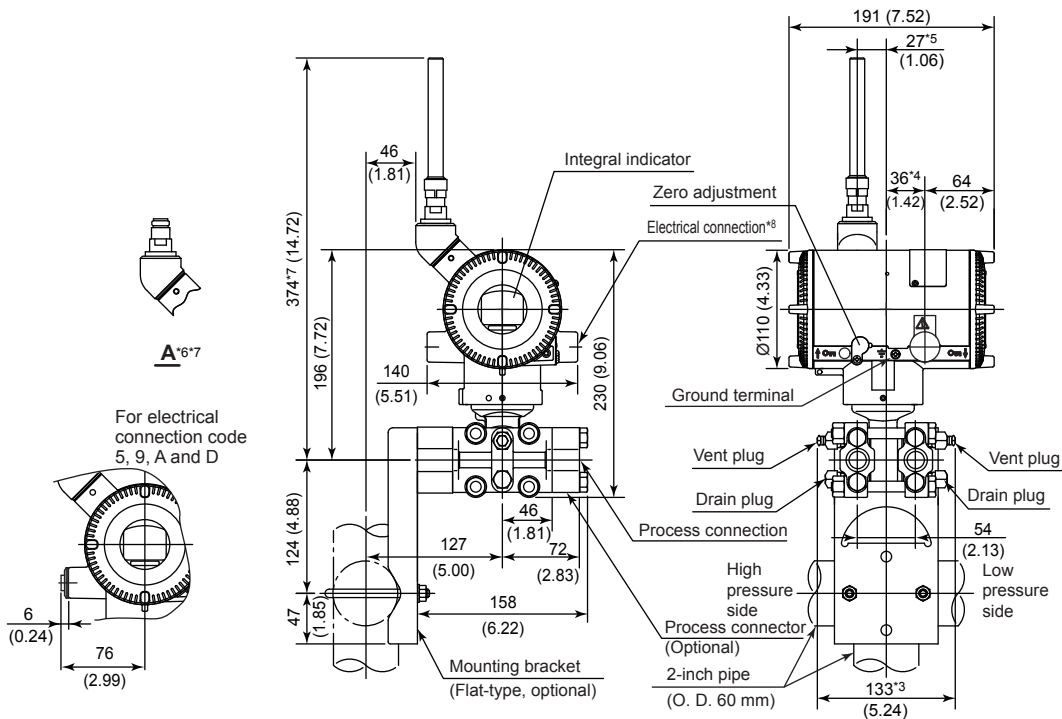
Unit: mm (approx. inch)

Wetted parts material code H, M, T, A, B, and D or Measurement span code F

● Vertical impulse piping type (Installation code -7)



● Horizontal impulse piping type (Installation code -9) *1

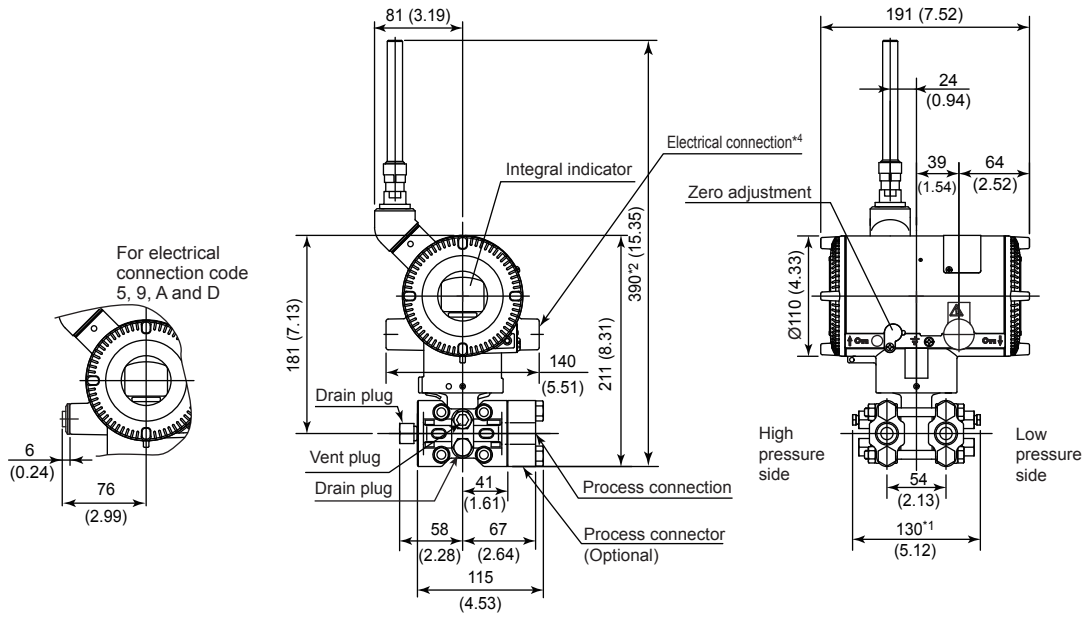


- *1: When installation code -8 is selected, high and low pressure side on above figure are reversed. (i.e. High pressure side is on the right side.)
- *2: When option code K1, K2, K5, or K6 is selected, add 15 mm (0.59 inch) to the value in the figure.
- *3: When option code K1, K2, K5, or K6 is selected, add 30 mm (1.18 inch) to the value in the figure.
- *4: 42 mm (1.65 inch) for right side high pressure.
- *5: 21 mm (0.83 inch) for right side high pressure.
- *6: When amplifier housing code 9 is selected, the value is 114 mm (4.49 inch). In this case, the figure is shown as A.
- *7: When amplifier housing code 9 is selected, the value is 254 mm (10.00 inch). In this case, the figure is shown as A.
- *8: Applicable for the external powered type.
- *9: When electrical connection code 7 or C is selected, a blind plug is protruded upto 8 mm from the electrical connection.

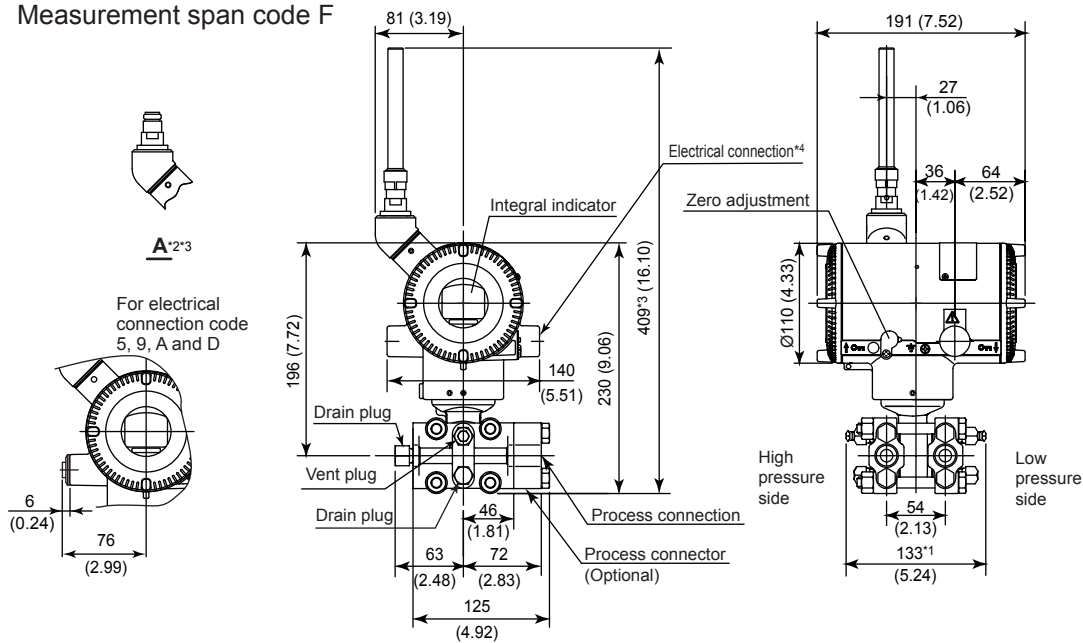
F04.ai

Unit: mm (approx. inch)

● Universal flange type (Installation code -U)
Measurement span code M, H and V



Measurement span code F

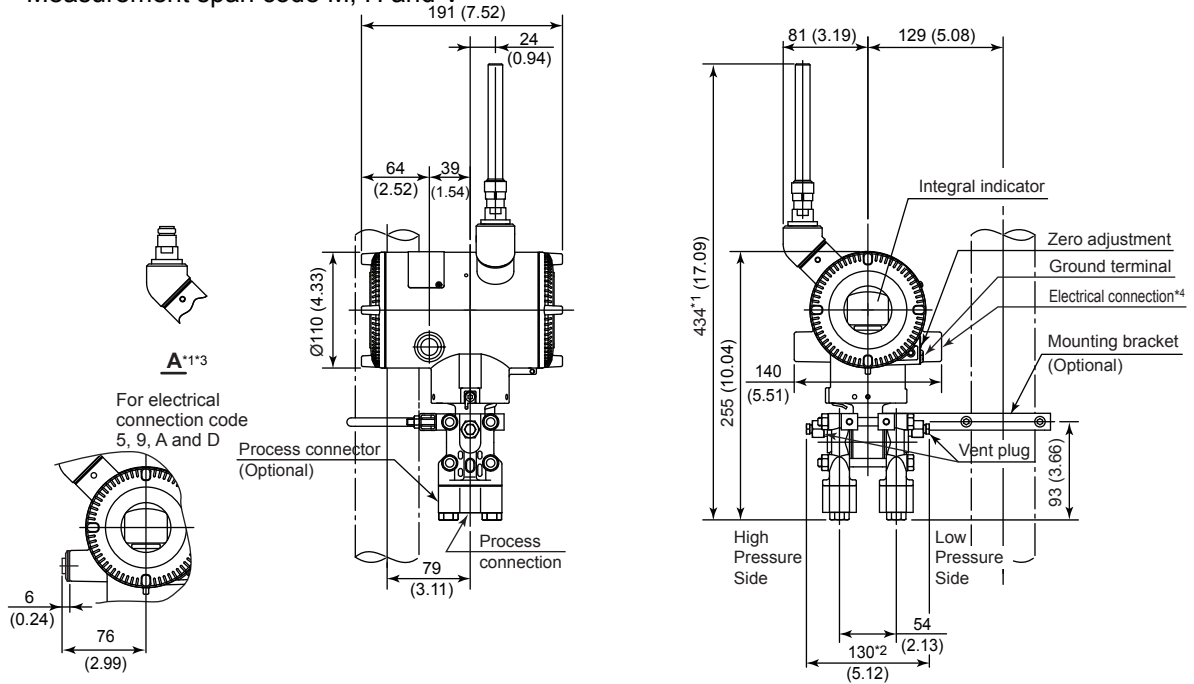


*1: When option code K1, K2, K5, or K6 is selected, add 30 mm (1.18 inch) to the value in the figure.
 *2: When amplifier housing code 9 is selected, the value is 270 mm (10.63 inch). In this case, the figure is shown as A.
 *3: When amplifier housing code 9 is selected, the value is 289 mm (11.38 inch). In this case, the figure is shown as A.
 *4: Applicable for the external powered type.
 *5: When electrical connection code 7 or C is selected, a blind plug is protruded upto 8 mm from the electrical connection.

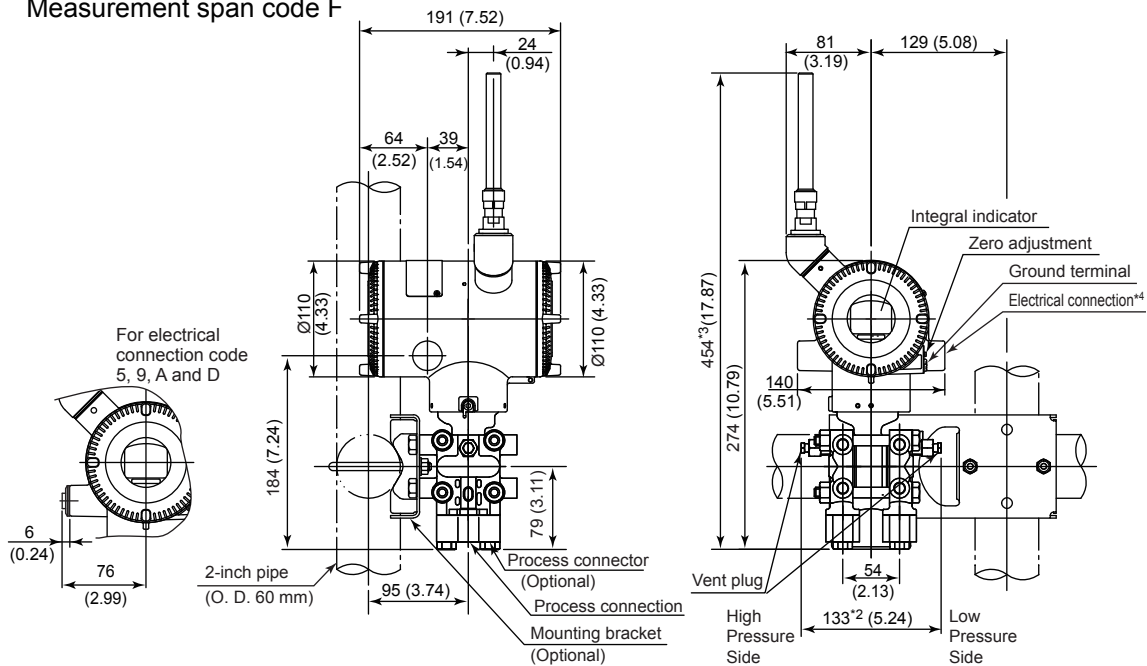
F05-01.ai

Unit: mm (approx. inch)

● Bottom process connection type (Installation code -B)
Measurement span code M, H and V



Measurement span code F



*1: When amplifier housing code 9 is selected, the value is 314 mm (12.36 inch). In this case, the figure is shown as A.
 *2: When option code K1, K2, K5 or K6 is selected, add 30 mm (1.18 inch) to the value in the figure.
 *3: When amplifier housing code 9 is selected, the value is 334 mm (13.15 inch). In this case, the figure is shown as A.
 *4: Applicable for the external powered type.
 *5: When electrical connection code 7 or C is selected, a blind plug is protruded up to 8 mm from the electrical connection.

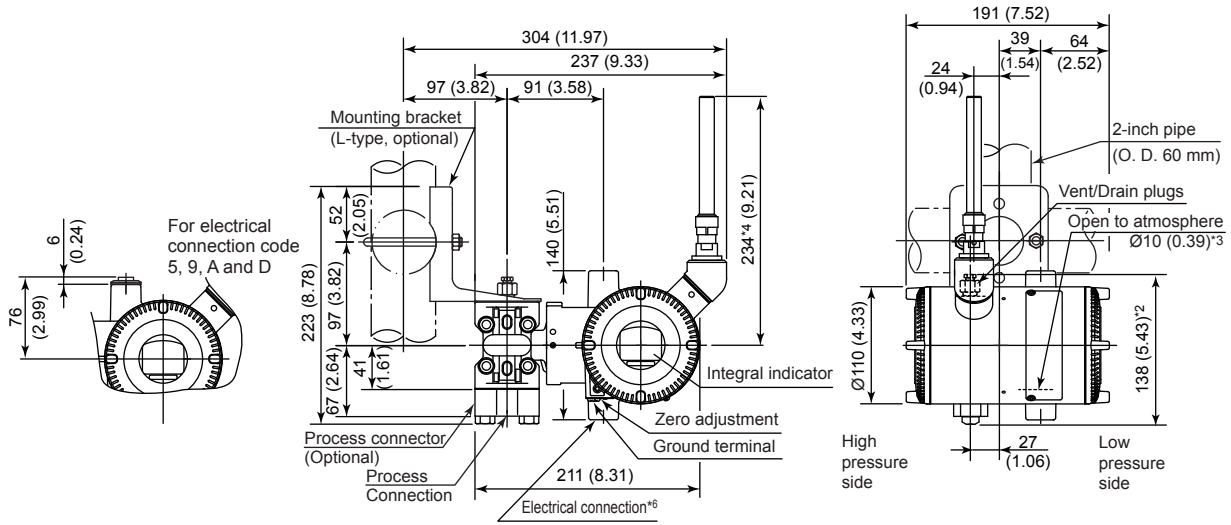
F05-02.ai

Unit: mm (approx. inch)

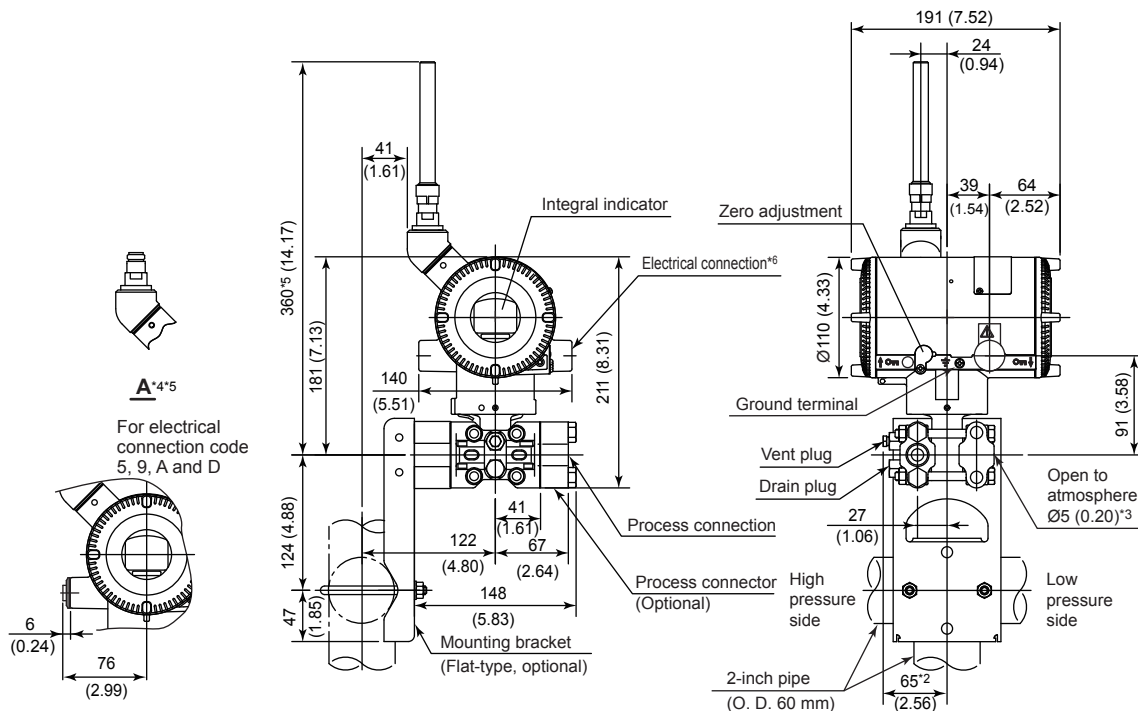
[EJX310B and EJX430B]

Wetted parts material code: S

● Vertical impulse piping type (Installation code -7)*¹



● Horizontal impulse piping type (Installation code -9)*¹



*1: When installation code -3 and -8 is selected, high and low pressure side on above figure are reversed. (i.e. High pressure side is on the right side.)

*2: When option code K1, K2, K5, or K6 is selected, add 15 mm (0.59 inch) to the value in the figure.

*3: Applicable for EJX430B.

*4: When amplifier housing code 9 is selected, the value is 114 mm (4.49 inch). In this case, the figure is shown as A.

*5: When amplifier housing code 9 is selected, the value is 240 mm (9.45 inch). In this case, the figure is shown as A.

*6: Applicable for the external powered type.

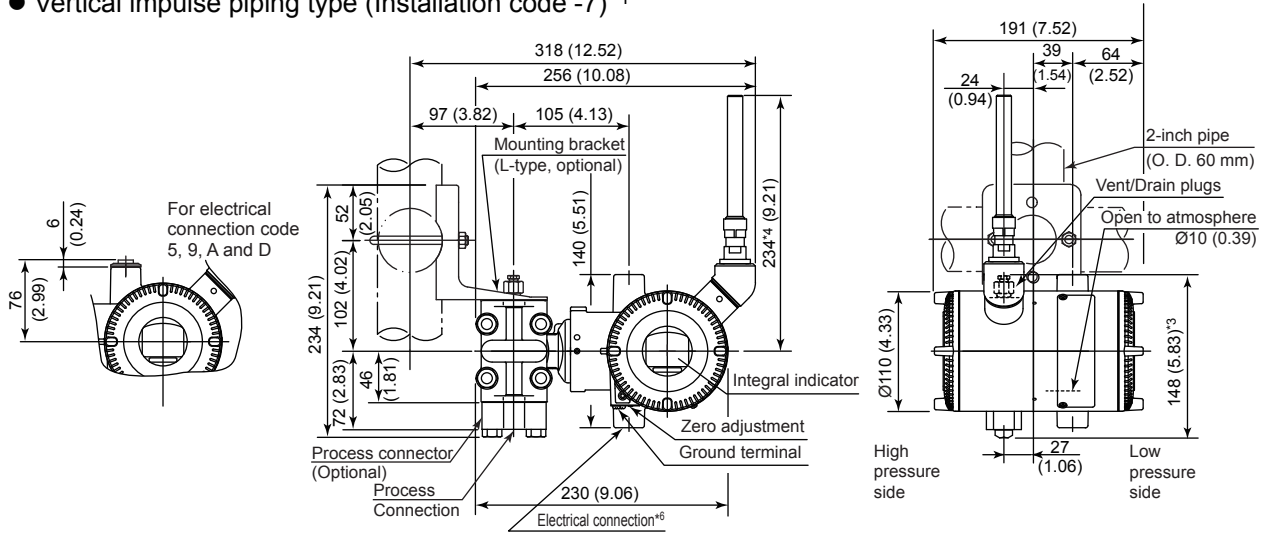
*7: When electrical connection code 7 or C is selected, a blind plug is protruded upto 8 mm from the electrical connection.

F06.ai

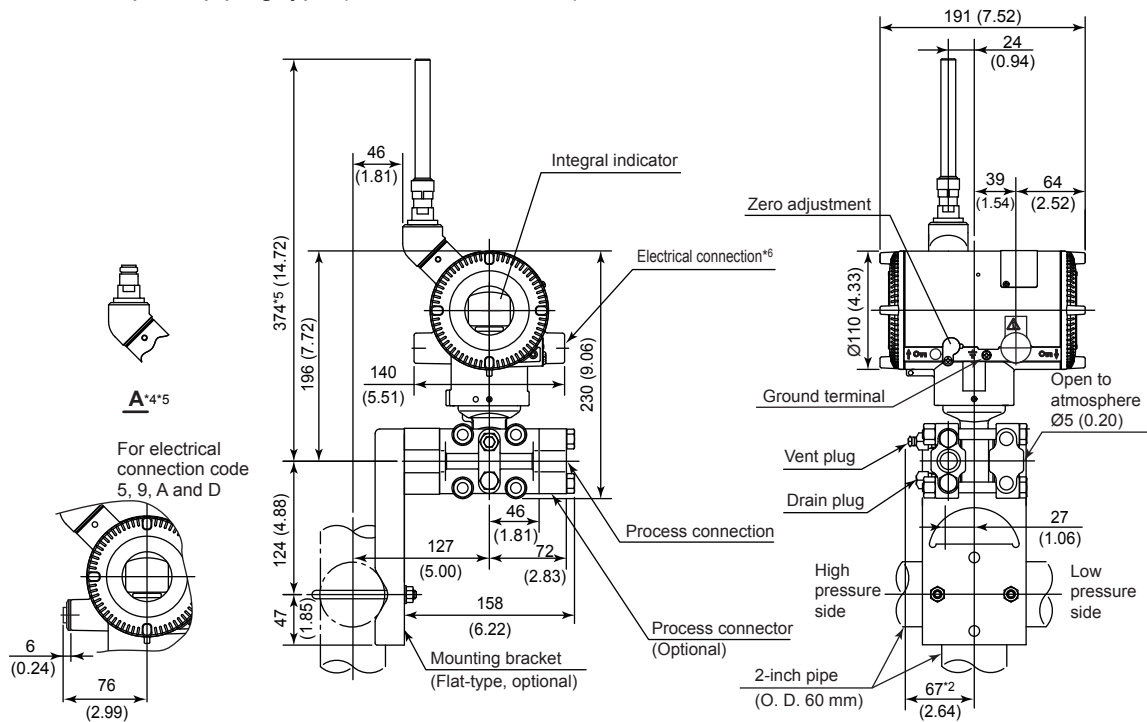
Unit: mm (approx. inch)

Wetted parts material code: H, M, T, A, B, and D*3

● Vertical impulse piping type (Installation code -7) *1



● Horizontal impulse piping type (Installation code -9) *1

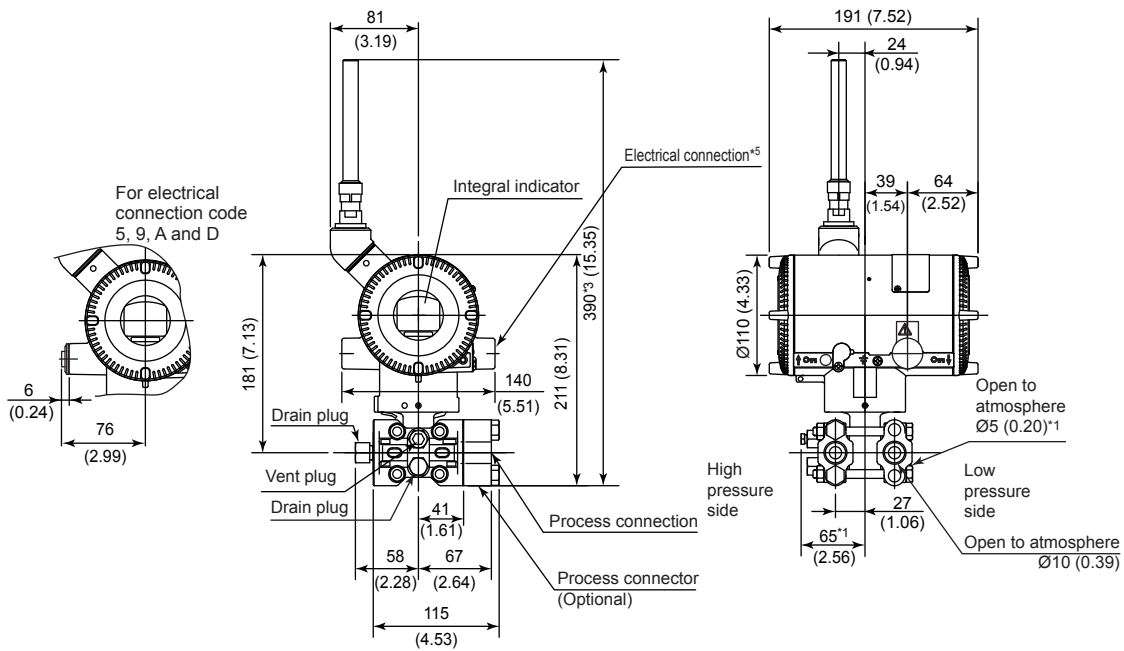


*1: When installation code -3 and -8 is selected, high and low pressure side on above figure are reversed. (i.e. High pressure side is on the right side.)
 *2: When option code K1, K2, K5, or K6 is selected, add 15 mm (0.59 inch) to the value in the figure.
 *3: Applicable for EJX430B.
 *4: When amplifier housing code 9 is selected, the value is 114 mm (4.49 inch). In this case, the figure is shown as A.
 *5: When amplifier housing code 9 is selected, the value is 254 mm (10.00 inch). In this case, the figure is shown as A.
 *6: Applicable for the external powered type.
 *7: When electrical connection code 7 or C is selected, a blind plug is protruded upto 8 mm from the electrical connection.

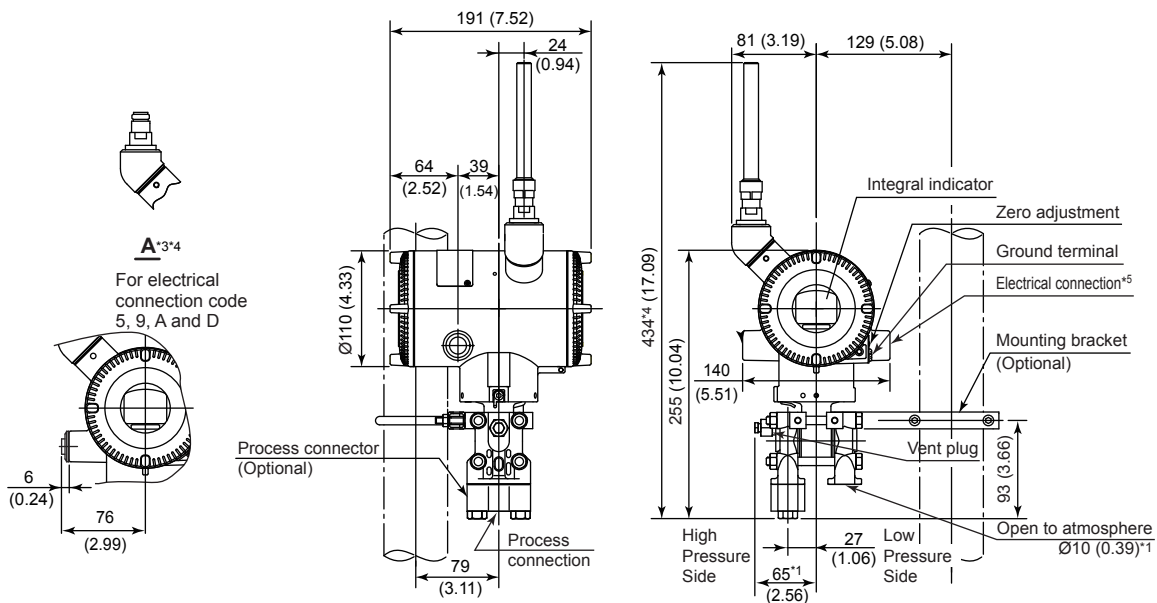
F07.ai

Unit: mm (approx. inch)

● Universal flange type (Installation code -U)



● Bottom process connection type (Installation code -B)



*1: Applicable for EJX430B.
 *2: When option code K1, K2, K5, or K6 is selected, add 15 mm (0.59 inch) to the value in the figure.
 *3: When amplifier housing code 9 is selected, the value is 270 mm (10.63 inch). In this case, the figure is shown as A.
 *4: When amplifier housing code 9 is selected, the value is 314 mm (12.36 inch). In this case, the figure is shown as A.
 *5: Applicable for the external powered type.
 *6: When electrical connection code 7 or C is selected, a blind plug is protruded upto 8 mm from the electrical connection.

F08.ai

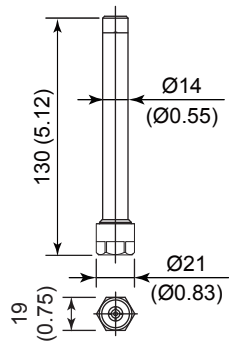
● Antenna/Cable

Unit: mm (approx. inch)

□ Non-directional antenna

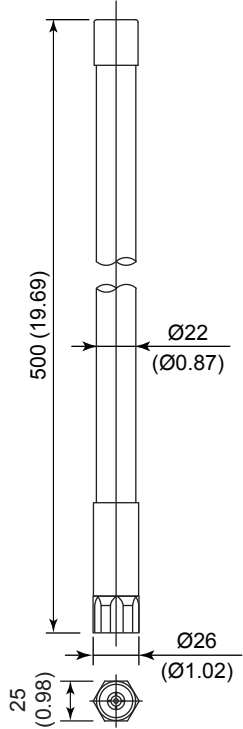
• Gain: 2 dBi

Part number: F9915KW



• Gain: 6 dBi

Part number: F9915KY

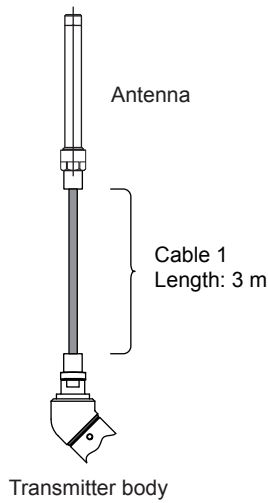


□ Antenna cable

• Sheath diameter: 11.2 mm

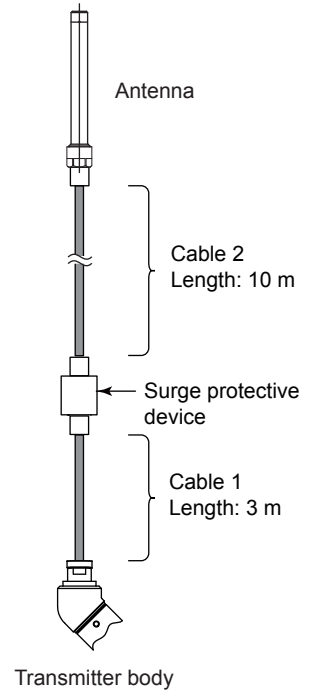
< Without a surge protective device >

Part number: F9915KU

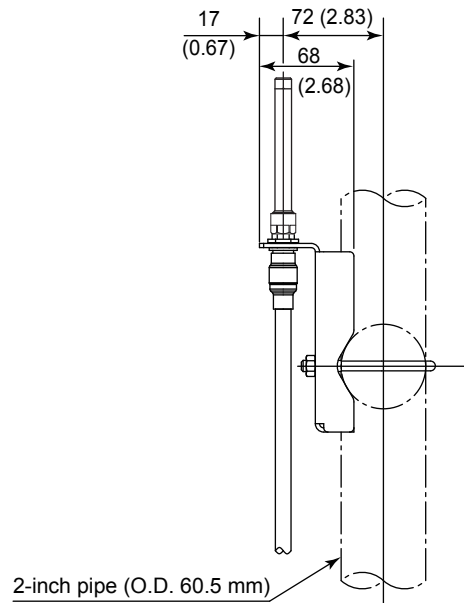
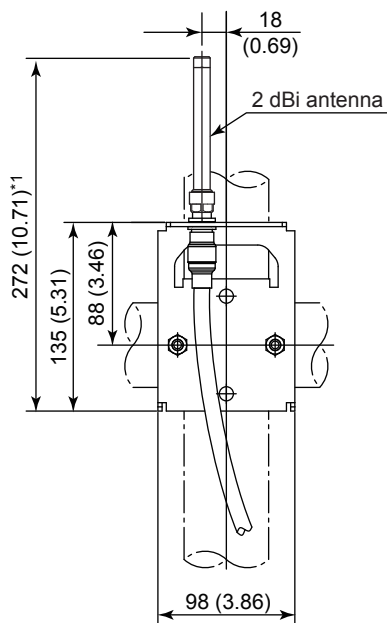


< With a surge protective device >

Part number: F9915KV



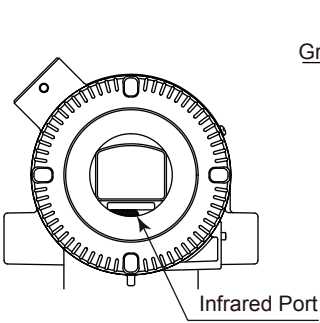
● Antenna mounting bracket



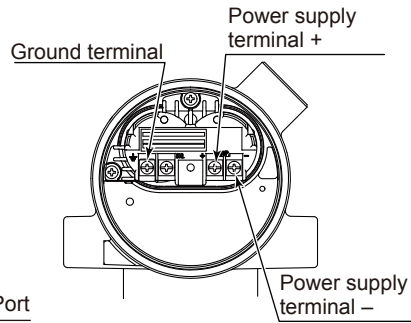
*1: When 6 dBi antenna is selected, the value is 642 mm (25.28 inch).

F09.ai

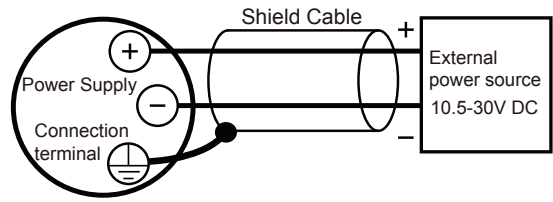
● Infrared Configuration



● Terminal Configuration for the External Powered type



● Terminal Wiring Example for the External Power Source Terminal



Use shield cables if it is affected by electrical noise.

F10.ai

< Ordering Information >

Specify the following when ordering

1. Model, suffix codes, and option codes
2. Calibration range and unit
 - 1) Range
Calibration range can be specified with range value specifications up to 5 digits for low or high range limits within the range of -32000 to 32000. When reverse range is designated, specify Lower Range Value (LRV) as greater than Upper Range Value (URV). When Square root Output mode in EJX110B is specified, LRV must be "0 (zero)".
 - 2) Unit
Specify only one unit from Table A.

Table A. Available Range Unit

EJX110B, EJX430B	mmH ₂ O, mmH ₂ O (68°F), mmAq, mmWG, mmHg, Pa, hPa, kPa, MPa, mbar, bar, gf/cm ² , kgf/cm ² , inH ₂ O, inH ₂ O (68°F), inHg, ftH ₂ O, ftH ₂ O (68°F) or psi.
EJX310B	torr, Pa abs, hPa abs, kPa abs, MPa abs, mbar abs, bar abs, mmH ₂ O abs, mmH ₂ O abs (68°F), mmHg abs, gf/cm ² abs, kgf/cm ² abs, inH ₂ O abs, inH ₂ O abs (68°F), inHg abs, ftH ₂ O abs, ftH ₂ O abs (68°F), atm, or psia.

3. Output mode
For choices, refer to Table B.
- For EJX110B, select either Linear or Square root. Specify the same mode as that of Display mode.
- For EJX310B and EJX430B, select Linear.
4. Display setting (SCALE)
 - 1) Display scale and unit
Specify either "0 to 100 %" or "Desired Range and Unit" for engineering unit scale:
- When "Desired Range and Unit" is specified, scale range can be specified with range limit specifications up to 5 digits for low or high range limits within the range of -32000 to 32000. Unit display consists of 6-digit, therefore, if the specified scaling unit excluding "/" is longer than 6-characters, the first 6 characters will be displayed on the unit display. When Square root Output mode in EJX110B is specified, LRV must be "0 (zero)".
 - 2) Display mode
For choices, refer to Table B.
- For EJX110B, select either Linear or Square root. Specify the same mode as that of Display mode.
- For EJX310B and EJX430B, select Linear.

Table B. Output mode and display mode

Output mode / Display mode	LINEAR	SQUARE ROOT
LINEAR	●	—
SQUARE ROOT	—	●: EJX110B —: EJX310B and EJX430B

●: Applicable, —: Not applicable

5. Tag Number (if required)
Engraving on the tag plate can be specified by a combination of uppercase letters, lowercase letters, numbers, "-" (hyphen), "_" (underscore)". Factory setting is blank unless otherwise specified. The specified letters are written on TAG_Name (16 letters) in the amplifier memory.
6. Software tag (if required)
Specify this software tag when tag number which is different from the tag number specified in the "Tag Number" is required. The tag number specified in "Software tag" will be entered on "TAG_NAME" (up to 16 letters) in the amplifier memory.
7. Network ID (if required)
Specify the number from 2 to 65535. When not specified, it will use 1 as the default.

< Factory Setting >

Tag No.	Blank unless otherwise specified in order
Software tag	Blank unless otherwise specified in order
Network ID	'1' unless otherwise specified in order.
Static pressure display range (For EJX110B only)	'0 to 25 MPa' for M and H capsule with wetted parts material S, and, '0 to 16 MPa' for L capsule with wetted parts material S and all capsules with wetted parts material other than S, absolute value. Measuring high pressure side.

< Reference >

1. *DPHarp* **EJX**™ is a registered trademark of Yokogawa Electric Corporation.
 2. Teflon; Trademark of E.I. DuPont de Nemours & Co.
 3. Hastelloy; Trademark of Haynes International Inc.
- Other company names and product names used in this material are registered trademarks or trademarks of their respective owners.

<Information on EU WEEE Directive>

EU WEEE (Waste Electrical and Electronic Equipment) Directive is only valid in the EU.

This instrument is intended to be sold and used only as a part of equipment which is excluded from WEEE Directive, such as large-scale stationary industrial tools, a large-scale fixed installation and so on, and, therefore, subjected to the exclusion from the scope of the WEEE Directive. The instrument should be disposed of in accordance with local and national legislation/regulations.