

# FPC Gateway



FPC Gateway



Optional E200 Outdoor Enclosure with Sub-panel for mounting FPC Gateway

The FPC Gateway is an external, high performance, Building Management System communication gateway. The FPC Gateway provides an instant interface, enabling the KEP flow computers to communicate with multiple BMS protocols, including:

- BACnet MS/TP
- BACnet IP
- Modbus TCP
- Metasys N2
- AB DF1
- AB EtherNet/IP
- LonWorks

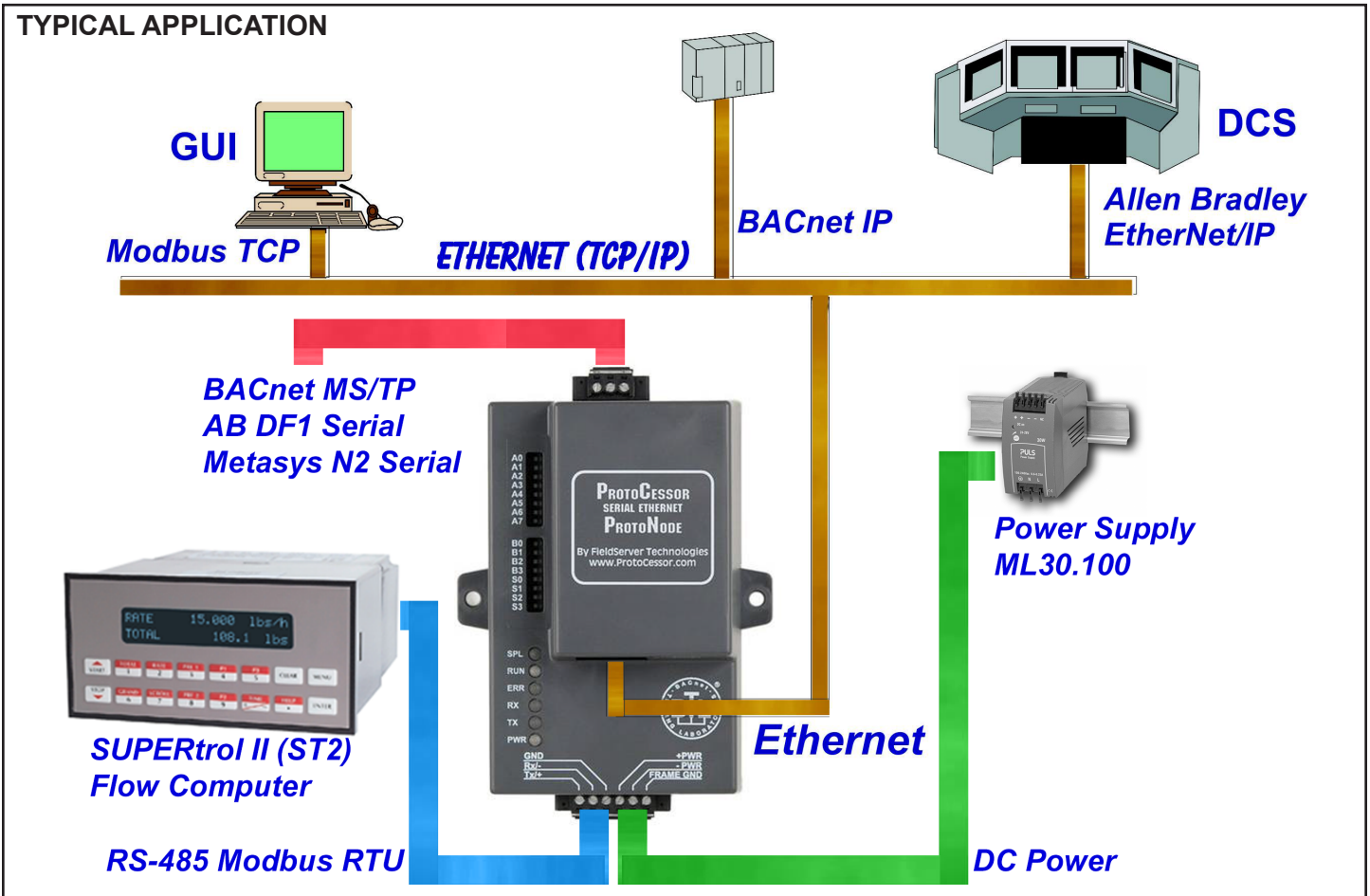
Kessler-Ellis Products pre-programs the FPC Gateway to provide an easy, Turnkey solution with no configuration files to download in the field. By staging and configuring packaged systems before delivery, KEP provides plug-and-play simplicity for installers.

The FPC Gateway is the instant answer for BAS applications, providing easy access to the protocols needed to meet your customer's interoperability needs.

The FPC Gateway offers a pre-tested, single source solution to your needs for a BMS protocol gateway.

- A single FPC Gateway supports installations with multiple ST2 Flow Computers.
- Supports BACnet Change of Value (COV) to provide immediate data communication while reducing the traffic over a BACnet network.
- Supports BACnet Virtual Nodes allowing multiple flow computers connected to a single FPC Gateway to be seen as separate controllers on the various field networks.
- BTL Marked and LonMark Certified.

**TYPICAL APPLICATION**



**SPECIFICATIONS**

**Power Requirements**

- Power: 9-30 VDC or 12-24 VAC
- Current draw @ 12V
- FPC-N34 @ 12V = 240 mA
- FPC-N35 @ 12V = 250 mA

**Environmental**

- Operating Temp.: -40°F to 167°F (-40°C to 75°C)
- Relative Humidity: 5-90% RH, non-condensing

**Warranty:**

Two years against manufacturing defects

**Approvals**

- BACnet Testing Labs (BTL) B-ASC
- LonMark 3.4 Certified - FPC-N35 Series
- TUV approved to UL 916 standard and CSA C22-2
- RoHS Compliant
- CE Certified & FCC Approved

**BACnet Support**

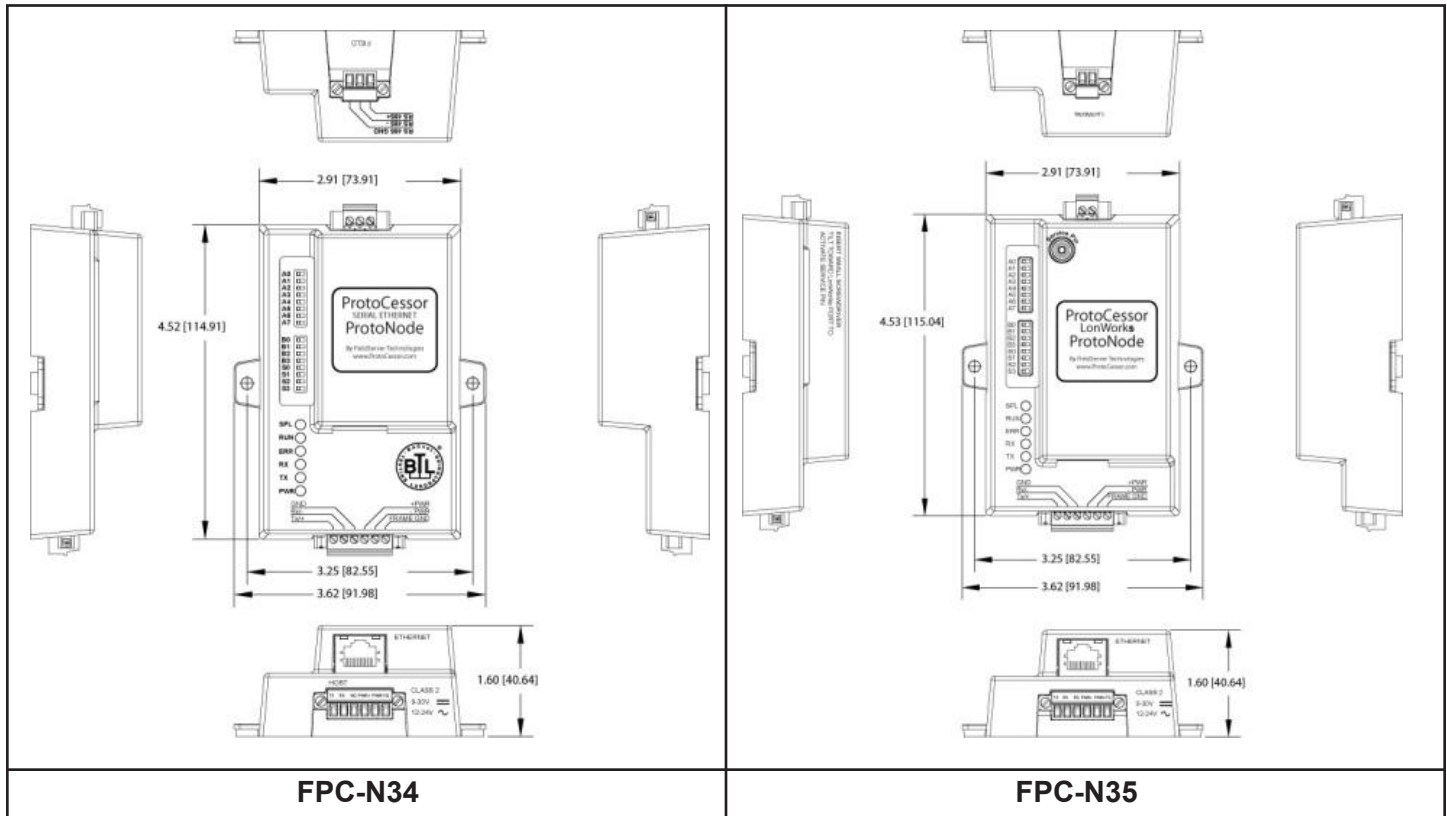
- Alarm & Event notification
- BACnet Virtual Nodes
- BACnet COV's
- DIP switches for setting MAC Address and Baud Rate on the RS-485 Field protocol.

**LonMark Certification on the FPC-N35**

- SPID: 80:00:95:46:00:84:04:07

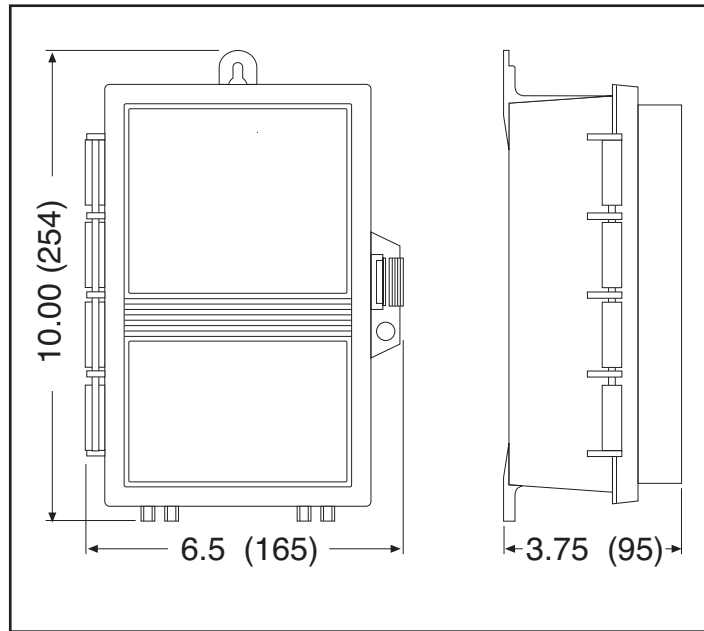


## DIMENSIONS



**FPC-N34**

**FPC-N35**



**E200-0-SP-A OPTIONAL ENCLOSURE**

## ORDERING INFORMATION

**Example:** FPC-N34-0804 BAC/IP

**Series:** \_\_\_\_\_

**FPC-N34-0804** = ST2 Gateway for Modbus RTU to BACnet IP,  
BACnet MS/TP, Modbus TCP/IP,  
Metasys N2, AB DF1, AB EtherNet/IP

**FPC-N35-0059** = ST2 Gateway for Modbus RTU to LonWorks

**FPC-N34-0794** = ES762ST2 Gateway for Modbus RTU to  
BACnet IP, BACnet MS/TP, Modbus TCP/IP,  
Metasys N2, AB DF1, AB EtherNet/IP

**FPC-N35-0794** = ES762ST2 Gateway for Modbus RTU to  
LonWorks

**Protocol:** \_\_\_\_\_

**BAC/IP** = BACnet IP

**BACMS/TP** = BACnet MS/TP

**MOD/IP** = Modbus TCP/IP

**METASYS/N2** = Metasys N2

**ABDF1** = AB DF1

**ABETH/IP** = AB EtherNet/IP

**LONWORKS** = LonWorks

### OPTIONS

**SPA39179** Din rail mounting clip

**E200-0-SP-A** E200 Outdoor Enclosure with FPC  
mounted on sub panel

**ML30.100** 24V Power Supply

