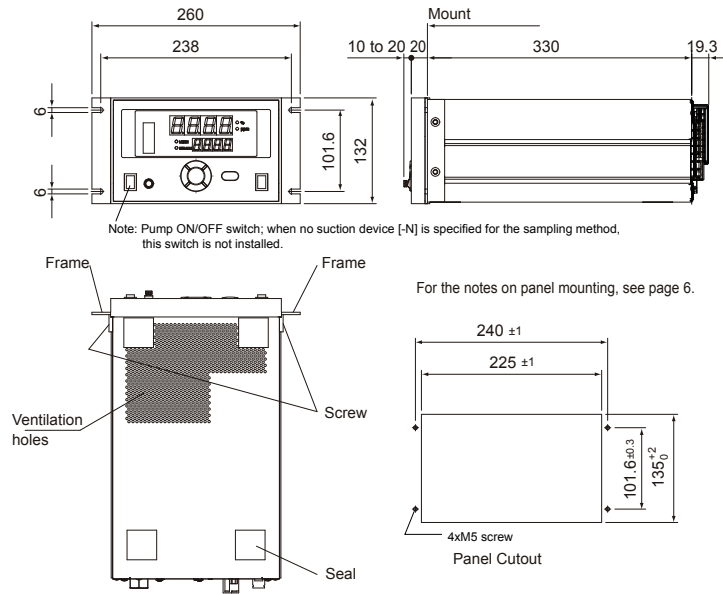


Drawings

Model OX400 Low Concentration Zirconia Oxygen Analyzer [Style: S2]

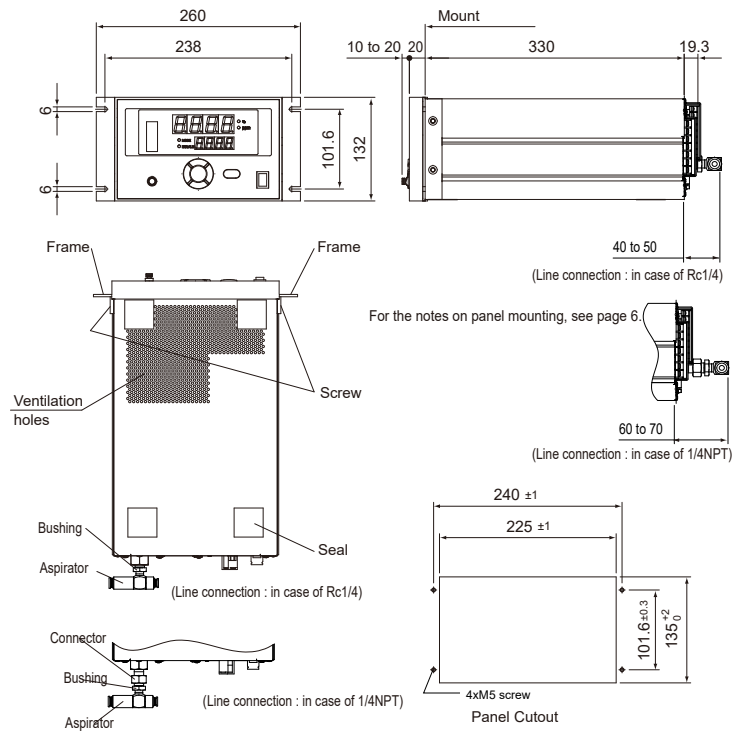
Unit: mm

□ Panel mount type with built-in pump or no suction device (OX400-□-□□-□-□/□/□)



Weight: Approx. 5 kg

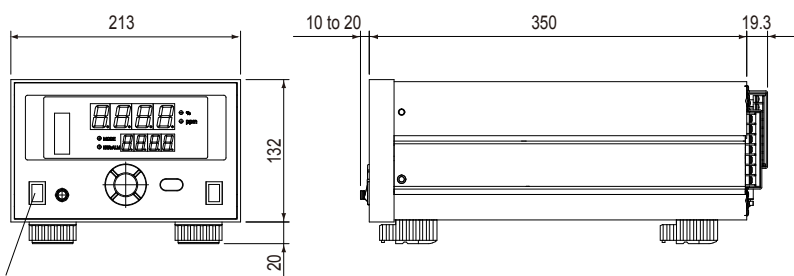
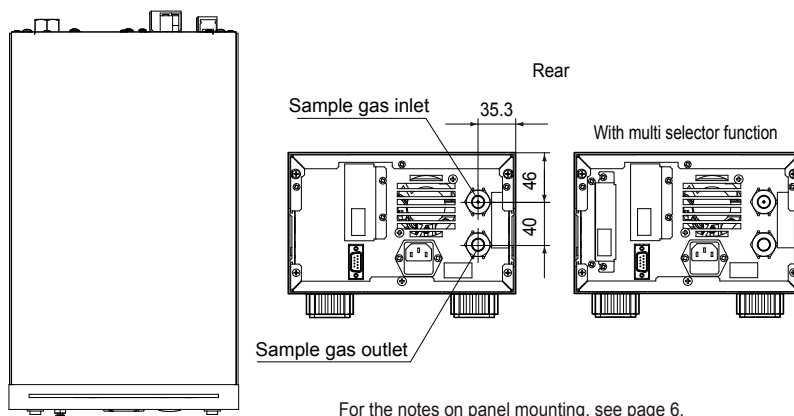
□ Panel mount type with aspirator (OX400-□-A□-□-□/□/□)



Weight: Approx. 5 kg

Unless otherwise specified, differences in the dimensions are specified as: General tolerance = \pm (Criteria of tolerance class IT18 in JIS B0401-1998)/2.

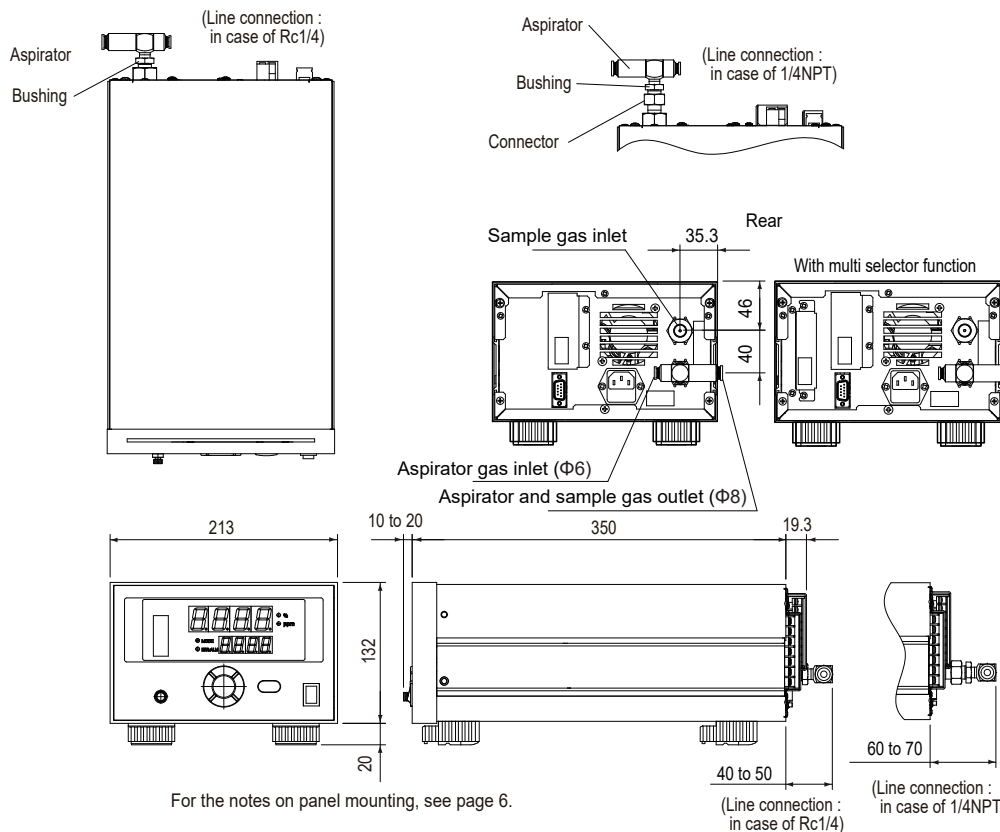
Desktop type with built-in pump or no suction device (OX400-□-□□-□-□)



Note: Pump ON/OFF switch; when no suction device [-N] is specified for the sampling method, this switch is not installed.

Weight: Approx. 5 kg

Desktop type with aspirator (OX400-□-A□-□-□)



Weight: Approx. 5 kg

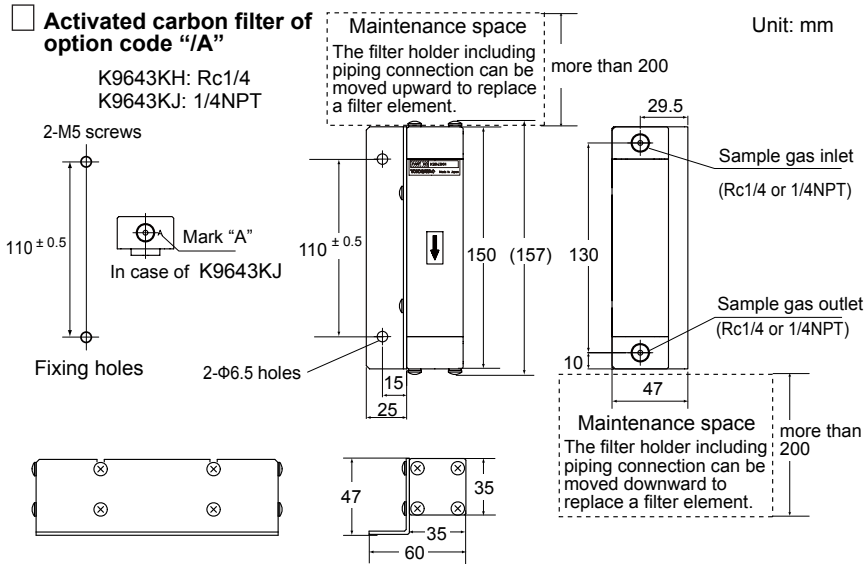
Unless otherwise specified, differences in the dimensions are specified as: General tolerance = ±(Criteria of tolerance class IT18 in JIS B0401-1998)/2.

Notes on panel mounting

1. Make sure the bottom supports do not block the ventilation outlet on the bottom panel of the measuring instrument.
2. Maintain at least 100 mm of free space around the measuring instrument in order to ensure adequate ventilation.
3. Make sure the panel is at least 2 mm thick.

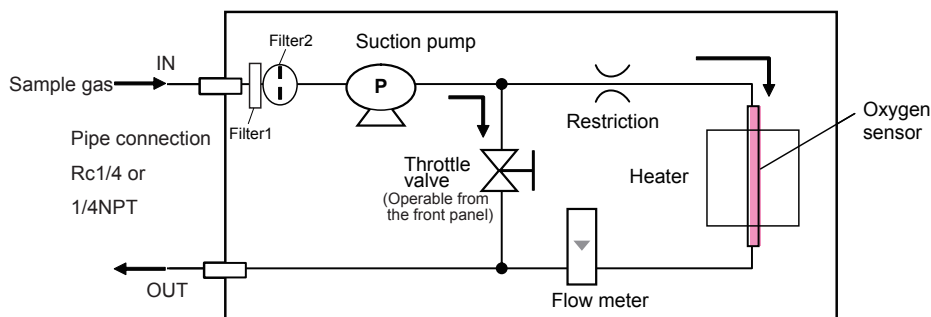
Notes on desktop type installation

1. Hot air is discharged from the air outlet on the rear panel of the OX400. Maintain at least 100 mm of free space around the OX400 to ensure adequate ventilation.

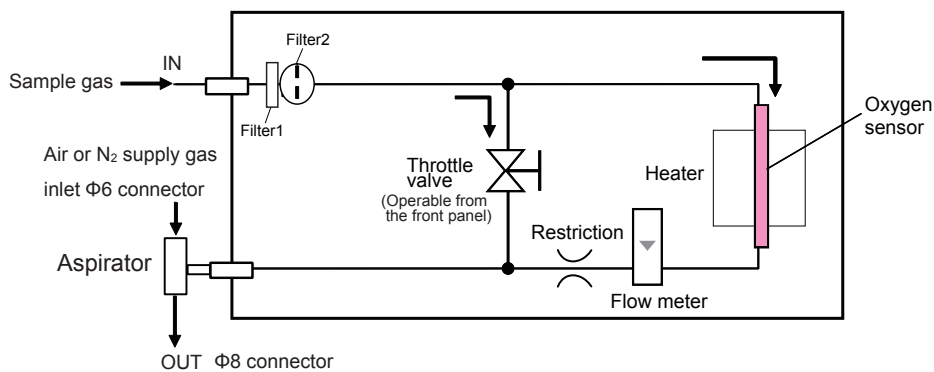


■ Piping diagram

Built-in pump (Sampling method [-P])



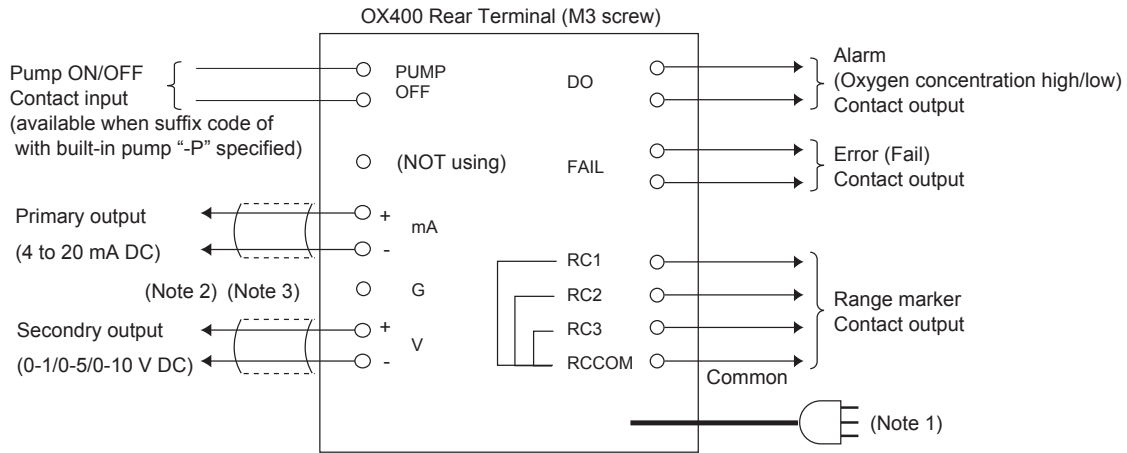
With aspirator (Sampling method [-A])



Note: If no suction device [-N] is specified, the aspirator is removed from this diagram.

Unless otherwise specified, differences in the dimensions are specified as: General tolerance = ±(Criteria of tolerance class IT18 in JIS B0401-1998)/2.

■ Wiring Diagram



Note 1: Use the earthing contact of power cord to ground to earth.
Use the supplied power cord only.

Note 2: Ground the measurement output signal line shield on the receiving side.

The G-terminal is connected to a ground pin. Use this if the line shield cannot be grounded on the receiving side.
Be very careful not to ground the line at two points.

Note 3: The signal output and contact input cable must be no longer than 30 m for CE marking. RS232 cable must be no longer than 3 m.

□ The following terminals are added for the multi-selector “/MS” option.

The customer needs to supply a switching device and carry out the necessary wiring.

