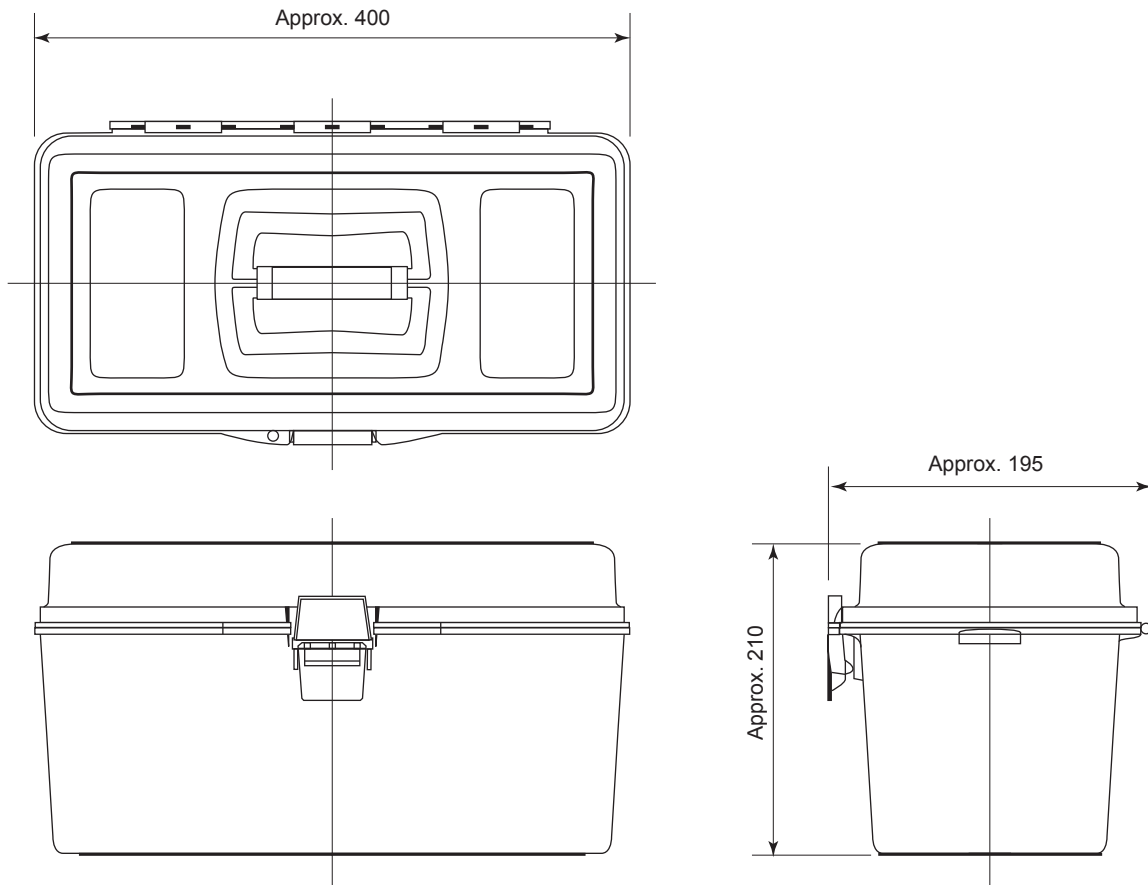


Unit : mm



Weight : Approx. 4.5 kg

Unless otherwise specified, differences in the dimensions are specified as: General tolerance =  $\pm$ (Criteria of tolerance class IT18 in JIS B0401-1998)/2.