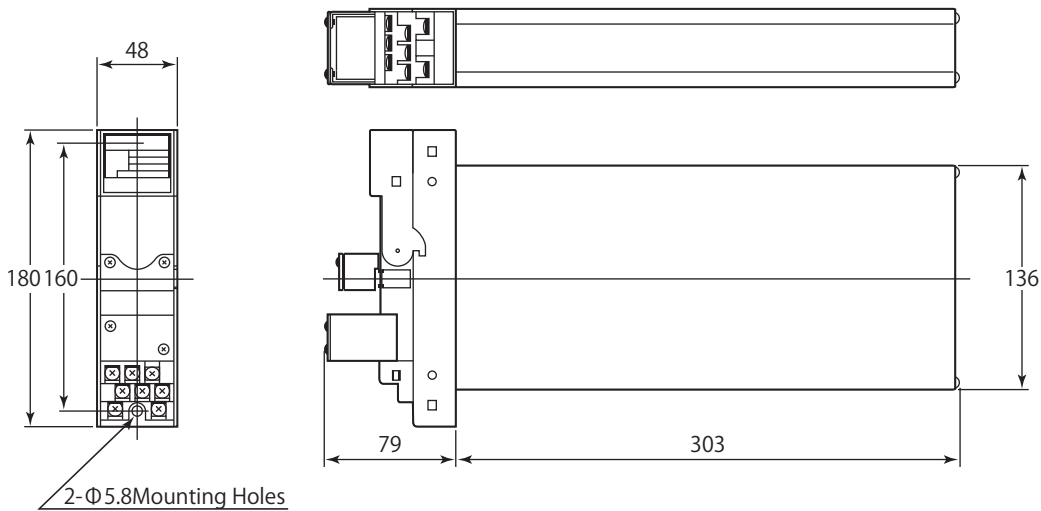


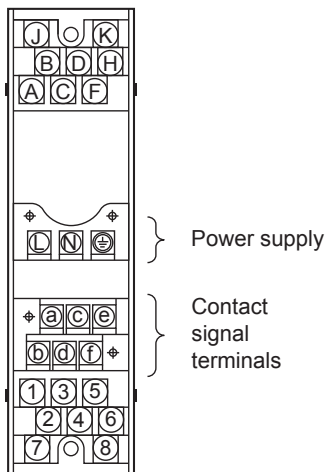
# Drawings

PH201G-A□ \*A / TB  
Distributor \*B

Unit : mm



Terminal configuration



Terminal symbol	Signal name
A	+
B	-
C	OUT1(1 to 5V DC)
D	CMN(Common)
F	OUT2 (1 to 5V DC)
H	CMN(Common)
J	CMN (For safety barrier)
K	(Not used)
1	} (Not used)
2	
3	
4	
5	
6	
7	
8	
a,b	Contact signals HOLD (hold) FAIL (failure) WASH (cleaning)
c,d	
e,f	
L,N	Power supply (AC or DC, either polarity)
⊥	Grounding

(Note) Terminal symbol mark of "a" to "f" for contact signals are not printed.

Weight : Approx. 1.7kg

Unless otherwise specified, differences in the dimensions are specified as: General tolerance = ±(Criteria of tolerance class IT18 in JIS B0401-1998)/2.