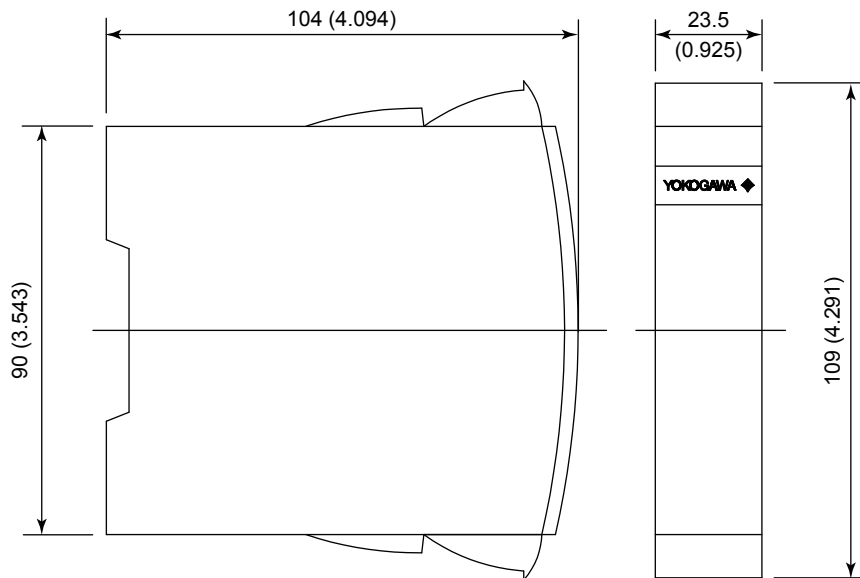


SD 01C50C05-01EN

Unit: mm (approx. inch)



• Wiring Diagram

