

Drawings

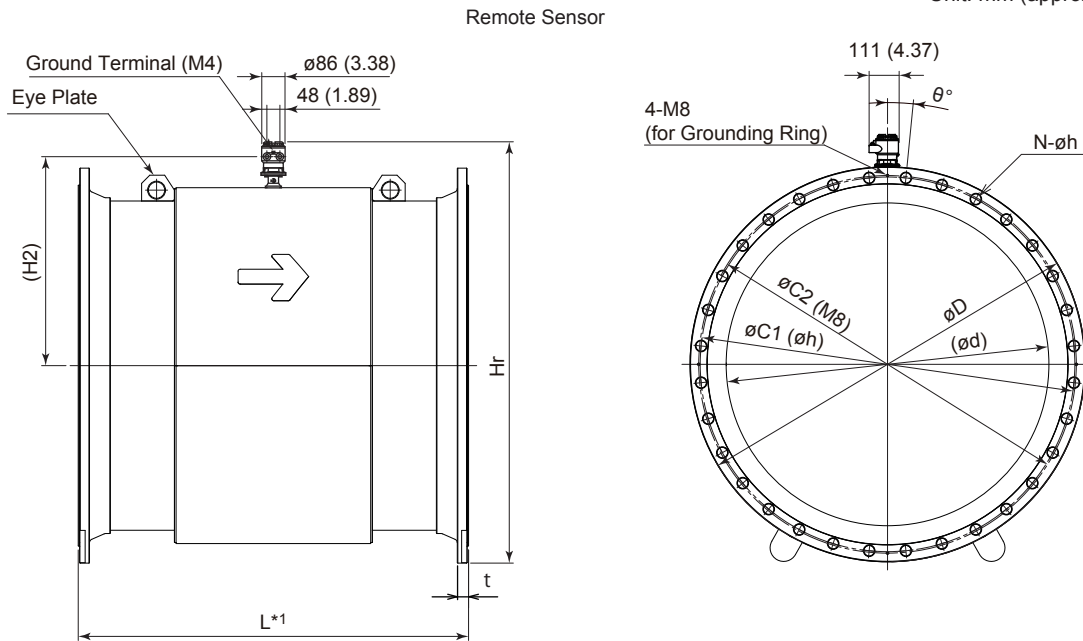
ADMAG TI Series
 AXW Magnetic Flowmeter
 [Size: 1100 to 1800 mm (44 to 72 in.)]
 Flange JIS F12 (Process Connection Code CG1)
 Grounding Ring (Optional Code GR2)



SD 01E25D12-06EN

[Style: S2]

Unit: mm (approx. inch)



*1: When selecting grounding rings (optional code GR2), gaskets are integrated.
 The thickness of grounding rings (optional code GR2) (25 mm per one, including integrated gasket) are not included in "L" here.

F01.ai

	Direction of Cable Entry			
	Standard (0°)	+90° rotation Optional Code RA	+180° rotation Optional Code RB	-90° rotation Optional Code RC
Remote Sensor	Front side 	Cable Entry 	Back side 	Cable Entry

* The direction of cable entry changes as shown left depending on the designation of the optional code RA, RB, or RC.

Unless otherwise specified, difference in the dimensions are specified as : General tolerance = ± (Criteria of tolerance class IT18 in JIS B0401-1) / 2

Model code:AXW - - CG1N -

Unit: mm (approx. in.)

Process Connection Code	CG1						
Flange Type	JIS G3443-2 F12						
Size Code	11L	12L	13L	15L	16L	18L	
Size	1100 (44)	1200 (48)	1350 (54)	1500 (60)	1600 (64)	1800 (72)	
Lining Code	U						
Lay Length L	1320 (51.97)	1440 (56.69)	1620 (63.78)	1800 (70.87)	1920 (75.59)	2160 (85.04)	
Flange Outer Diameter ϕ D	1366 (53.78)	1470 (57.87)	1642 (64.65)	1800 (70.87)	1915 (75.39)	2115 (83.27)	
Flange Thickness (*1) (incl. lining flare)	Lining U	49 (1.93)	51 (2.01)	53 (2.09)	56 (2.20)	63 (2.48)	65 (2.56)
Bolt Circle Diameter ϕ C1	1283 (50.51)	1387 (54.61)	1552 (61.10)	1710 (67.32)	1820 (71.65)	2020 (79.53)	
Grounding Ring Inner Diameter ϕ d	Lining U	1071 (42.17)	1172 (46.14)	1322 (52.05)	1469 (57.83)	1565 (61.61)	1759 (69.25)
Bolt Hole Pitch Half Angle θ	7.5°	6.4°	6.4°	5.6°	5°	4.1°	
Bolt Hole Diameter ϕ h	33 (1.30)	33 (1.30)	39 (1.54)	39 (1.54)	39 (1.54)	39 (1.54)	
Number of Bolt Holes N	24	28	28	32	36	44	
Height H2	712 (28.03)	763 (30.02)	840 (33.05)	913 (35.94)	961 (37.83)	1060 (41.73)	
Height Hr	1449 (57.03)	1551 (61.06)	1714 (67.48)	1867 (73.48)	1972 (77.64)	2171 (85.47)	
Inner Diameter of Eye Plate	60 (2.36)	60 (2.36)	70 (2.76)	70 (2.76)	70 (2.76)	80 (3.15)	
Remote Sensor, Approx. Weight, Unit: kg (lb) (*2)	910 (2006)	1060 (2337)	1430 (3153)	1770 (3902)	2090 (4608)	2890 (6371)	

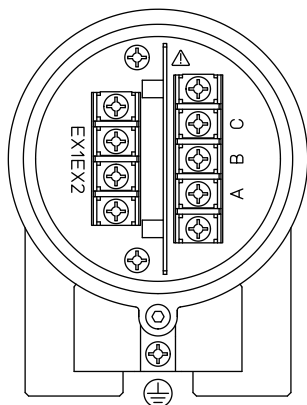
*1: The tolerance of the flange thickness "t" is as follows.

• Size 1100 to 1800 mm (44 to 72 in.): +5/-0 mm (+0.20/-0 in.)

*2: When submersible type or optional code DHC is selected, waterproof glands with union joints and cables are attached. When the cable length is 30-meters, add 9.5 kg (20.9 lb) to the weight in the table.

Terminal Configuration and Wiring**Remote Sensor:**

<To be wired to Remote Transmitter>



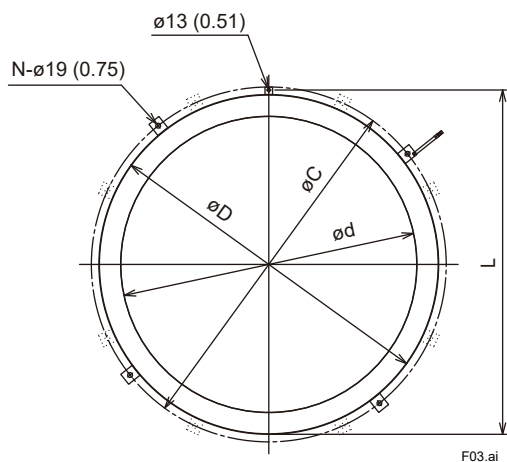
Terminal Symbol	Description
A B C	Flow Signal Output
EX1 EX2	Excitation Current Input
	Protective Grounding (Outside of the terminal box)

F02.ai

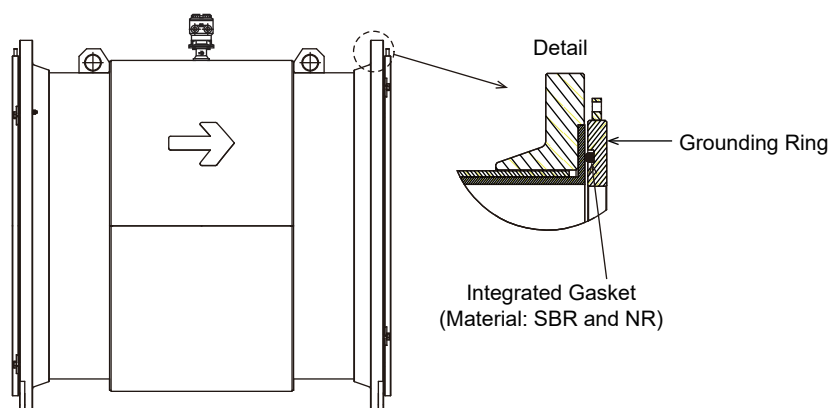
Note: When submersible use or optional code DHC is selected, waterproof glands with union joints and cables are attached.

● Grounding Ring (Optional Code GR2) for size 1100 to 1800 mm (44 to 72 in.)

Unit: mm (approx. inch)



Process Connection Code	CG1					
Flange Type	JIS G3443-2 F12					
Size Code	11L	12L	13L	15L	16L	18L
Size	1100 (44)	1200 (48)	1350 (54)	1500 (60)	1600 (64)	1800 (72)
Lining Code	U					
Ring Outer Diameter ϕD	1242 (48.90)	1346 (52.99)	1502 (59.13)	1658 (65.28)	1764 (69.45)	1972 (77.64)
Ring Inner Diameter ϕd	1071 (42.17)	1172 (46.14)	1322 (52.05)	1469 (57.83)	1565 (61.61)	1759 (69.25)
Bolt Circle Diameter ϕC	1302 (51.26)	1406 (55.35)	1562 (61.50)	1718 (67.64)	1824 (71.81)	2032 (80.00)
Length L	1260 (49.61)	1364 (53.70)	1520 (59.84)	1676 (65.98)	1782 (70.16)	1990 (78.35)
Number of Bolt Holes N	4	4	4	4	4	8
Thickness	25 (0.98)					
Approx. Weight, Unit: kg (lb)	59.3 (131)	65.7 (145)	75.8 (167)	88.3 (195)	92.4 (204)	114.2 (252)

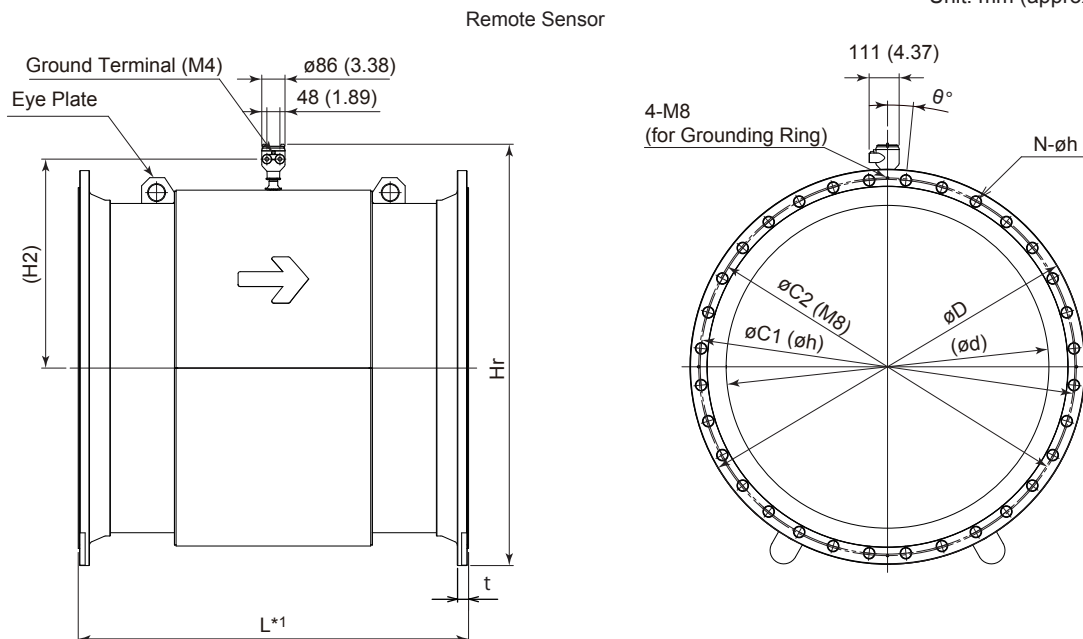


Reference Drawing: Remote Sensor with Grounding Rings

F04.ai

Flange JIS F12 (Process Connection Code CG1) [Style: S1]

Unit: mm (approx. inch)



*1: When selecting grounding rings (optional code GR2), gaskets are integrated.
The thickness of grounding rings (optional code GR2) (25 mm per one, including integrated gasket) are not included in "L" here.

F05.ai

	Direction of Cable Entry			
	Standard (0°)	+90° rotation Optional Code RA	+180° rotation Optional Code RB	-90° rotation Optional Code RC
Remote Sensor	Front Side 	Cable Entry 	Back Side 	Cable Entry

* The direction of cable entry changes as shown left depending on the designation of the optional code RA, RB, or RC.

Unless otherwise specified, difference in the dimensions are specified as : General tolerance = ± (Criteria of tolerance class IT18 in JIS B0401-1) / 2

Model code:AXW - - CG1N -

Unit: mm (approx. in.)

Process Connection Code	CG1						
Flange Type	JIS G3443-2 F12						
Size Code	11L	12L	13L	15L	16L	18L	
Size	1100 (44)	1200 (48)	1350 (54)	1500 (60)	1600 (64)	1800 (72)	
Lining Code	U						
Lay Length L	1320 (51.97)	1440 (56.69)	1620 (63.78)	1800 (70.87)	1920 (75.59)	2160 (85.04)	
Flange Outer Diameter ϕD	1366 (53.78)	1470 (57.87)	1642 (64.65)	1800 (70.87)	1915 (75.39)	2115 (83.27)	
Flange Thickness (*1) (incl. lining flare)	Lining U	49 (1.93)	51 (2.01)	53 (2.09)	56 (2.20)	63 (2.48)	65 (2.56)
Bolt Circle Diameter $\phi C1$	1283 (50.51)	1387 (54.61)	1552 (61.10)	1710 (67.32)	1820 (71.65)	2020 (79.53)	
Grounding Ring Inner Diameter ϕd	Lining U	1071 (42.17)	1172 (46.14)	1322 (52.05)	1469 (57.83)	1565 (61.61)	1759 (69.25)
Bolt Hole Pitch Half Angle θ	7.5°	6.4°	6.4°	5.6°	5°	4.1°	
Bolt Hole Diameter ϕh	33 (1.30)	33 (1.30)	39 (1.54)	39 (1.54)	39 (1.54)	39 (1.54)	
Number of Bolt Holes N	24	28	28	32	36	44	
Remote Sensor, Height H2	720 (28.35)	770 (30.31)	873 (34.37)	921 (36.26)	969 (38.15)	1068 (42.05)	
Remote Sensor, Maximum Height Hr	1457 (57.36)	1560 (61.42)	1723 (67.83)	1875 (73.82)	1981 (77.99)	2180 (85.83)	
Inner Diameter of Eye Plate	60 (2.36)	60 (2.36)	70 (2.76)	70 (2.76)	70 (2.76)	80 (3.15)	
Remote Sensor, Approx. Weight, Unit: kg (lb) (*2)	910 (2006)	1060 (2337)	1430 (3153)	1770 (3902)	2090 (4608)	2890 (6371)	

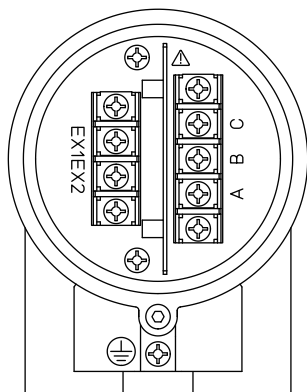
*1: The tolerance of the flange thickness "t" is as follows.

• Size 1100 to 1800 mm (44 to 72 in.): +5/-0 mm (+0.20/-0 in.)

*2: When submersible type or optional code DHC is selected, waterproof glands with union joints and cables are attached. When the cable length is 30-meters, add 9.5 kg (20.9 lb) to the weight in the table.

Terminal Configuration and Wiring**Remote Sensor:**

<To be wired to Remote Transmitter>



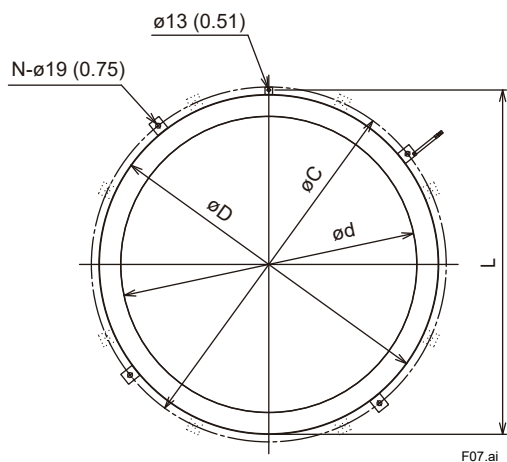
Terminal Symbol	Description
A B C	Flow Signal Output
EX1 EX2	Excitation Current Input
	Protective Grounding (Outside of the terminal box)

F06.ai

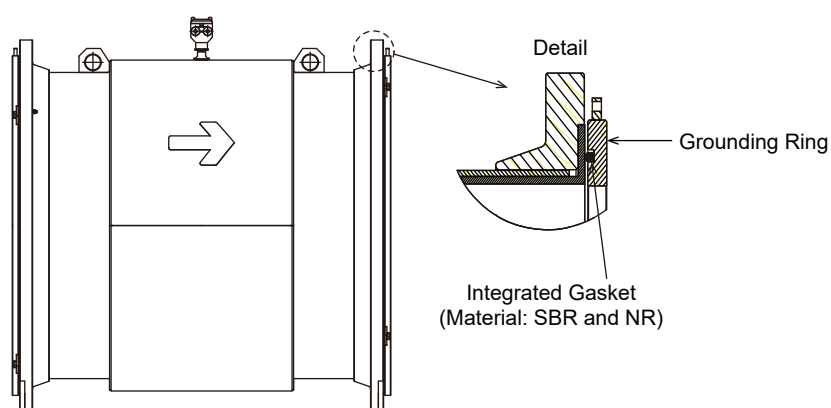
Note: When submersible use or optional code DHC is selected, waterproof glands with union joints and cables are attached.

● Grounding Ring (Optional Code GR2) for size 1100 to 1800 mm (44 to 72 in.) [Style: S1]

Unit: mm (approx. inch)



Process Connection Code	CG1					
Flange Type	JIS G3443-2 F12					
Size Code	11L	12L	13L	15L	16L	18L
Size	1100 (44)	1200 (48)	1350 (54)	1500 (60)	1600 (64)	1800 (72)
Lining Code	U					
Ring Outer Diameter $\varnothing D$	1242 (48.90)	1346 (52.99)	1502 (59.13)	1658 (65.28)	1764 (69.45)	1972 (77.64)
Ring Inner Diameter $\varnothing d$	1071 (42.17)	1172 (46.14)	1322 (52.05)	1469 (57.83)	1565 (61.61)	1759 (69.25)
Bolt Circle Diameter $\varnothing C$	1302 (51.26)	1406 (55.35)	1562 (61.50)	1718 (67.64)	1824 (71.81)	2032 (80.00)
Length L	1260 (49.61)	1364 (53.70)	1520 (59.84)	1676 (65.98)	1782 (70.16)	1990 (78.35)
Number of Bolt Holes N	4	4	4	4	4	8
Thickness	25 (0.98)					
Approx. Weight, Unit: kg (lb)	59.3 (131)	65.7 (145)	75.8 (167)	88.3 (195)	92.4 (204)	114.2 (252)



Reference Drawing: Remote Sensor with Grounding Rings

F08.ai