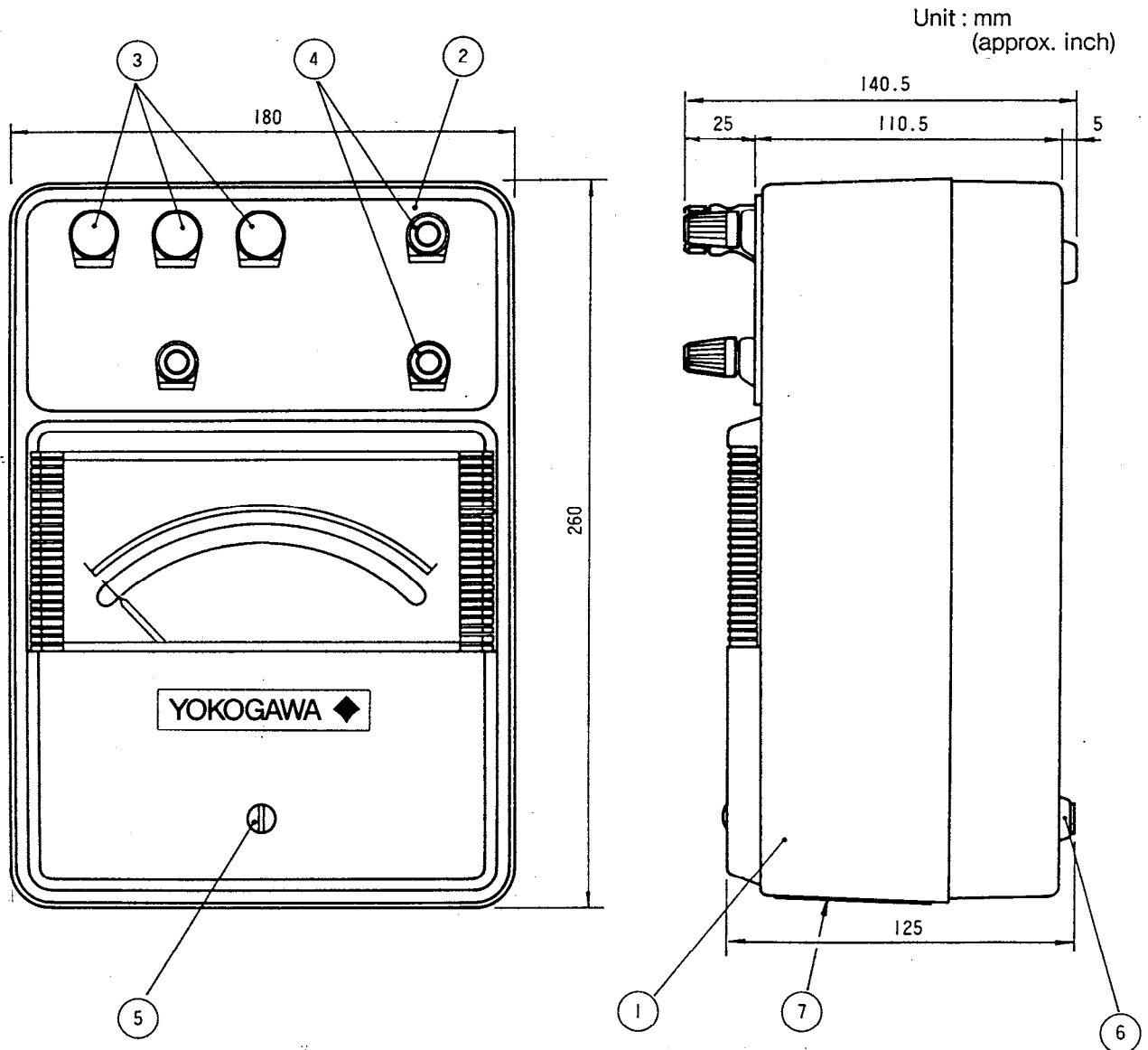


# Drawings

## 2041 01 to 03, 11 to 13, 21, 22, 60 Portable AC Wattmeter (1 Phase)



No.	Name
①	Case
②	Terminal board
③	Current terminal
④	Volt Terminal
⑤	Zero adjuster
⑥	Leg
⑦	Name plate

Unless otherwise specified here, all dimensions should be applied tolerance of  $\pm 3\%$  ( $\pm 0.3\text{mm}$  in case less than 10 mm.).

WEIGHT APPROX. kg