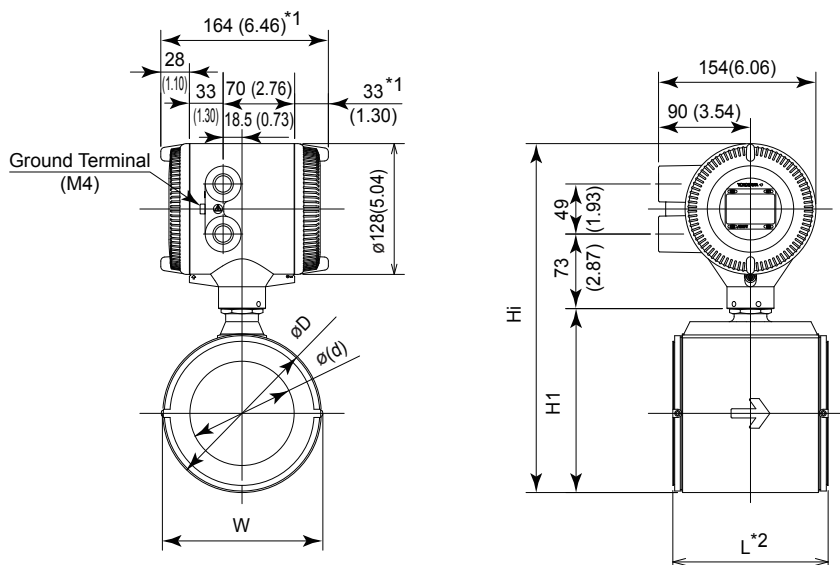


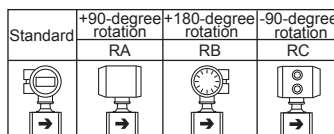
Unit: mm (approx. inch)



AXR080 G - □ 1 A □ 1 □ - A □ □ 1
AXR100 C

Size code		080	100
Size		80 (3)	100 (4)
Lining code		A	A
Face-to-face length	L*2	120 (4.72)	150 (5.91)
Outside dia.	øD	129 (5.08)	155 (6.10)
Inter diameter of Grounding ring	ød	77 (3.03)	102 (4.02)
Width	W	129 (5.08)	155 (6.10)
Height	H1	157 (6.18)	183 (7.20)
Max. Height	Hi	319 (12.54)	345 (13.56)
Weight kg (lb)		5.8 (12.8)	8.1 (17.9)

* When option code RA, RB, or RC is selected, the direction of electrical connection change as below.



*1: When indicator code N is selected, subtract 5 mm (0.2 inch) from the value in the figure.
*2: Depending on the selection of grounding ring code and optional code, add the following value to "L" (face-to-face length).

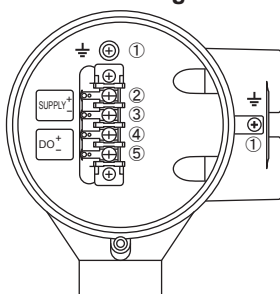
Grounding Ring Code	S, L, H	P, T	N	
	None	+0	+26 (1.02)	-2 (0.08)
Optional Code	GA, GC, GD (Special Gaskets)	+8 (0.31)	+30 (1.18)	-

General-purpose Use/Explosion Proof Type except TIIS
/TIIS Explosion Proof Type (Style:S1):

TIIS Explosion Proof Type (Style:S2):

Terminal configuration

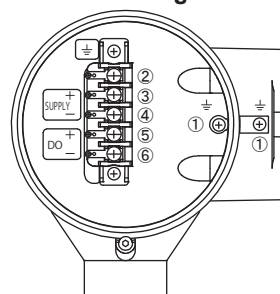
Terminal wiring



No.	Terminal Symbols	Description
①		Functional grounding
②	SUPPLY+	Power supply and current output
③	SUPPLY-	
④	DO+	Digital output (One output can be selected from pulse, alarm or status outputs.)
⑤		

Terminal configuration

Terminal wiring



No.	Terminal Symbols	Description
①		Functional grounding
②		Class A grounding
③	SUPPLY+	Power supply and current output
④		
⑤	DO+	Digital output (One output can be selected from pulse, alarm or status outputs.)
⑥		

Unless otherwise specified, difference in the dimensions are specified as : General tolerance = ± (Criteria of tolerance class IT18 in JIS B0401) / 2