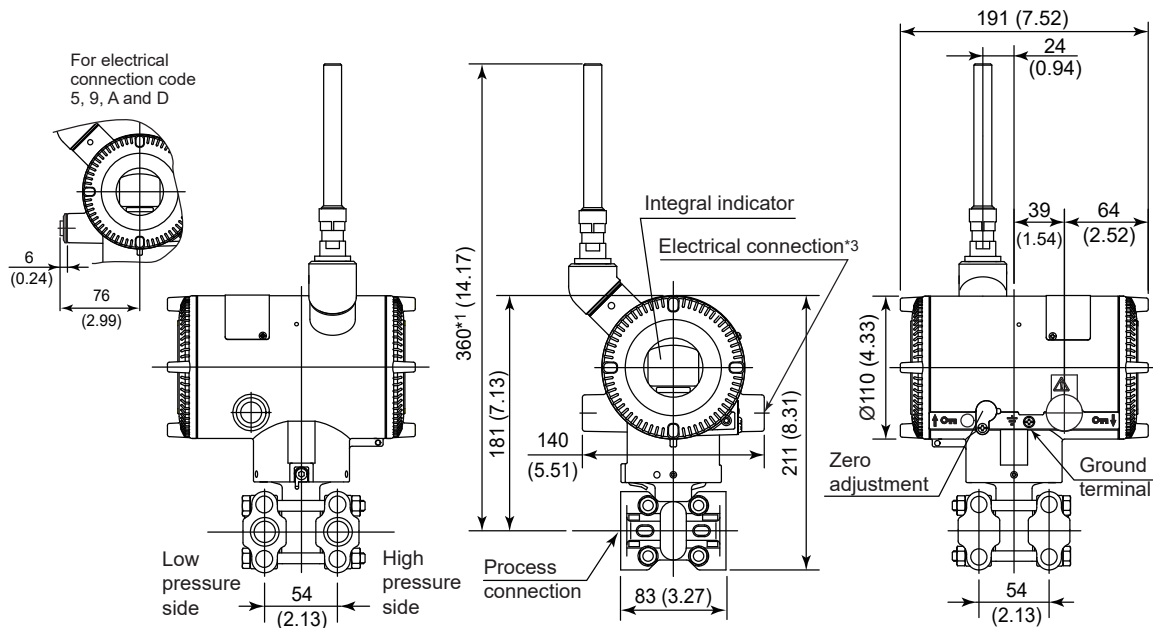


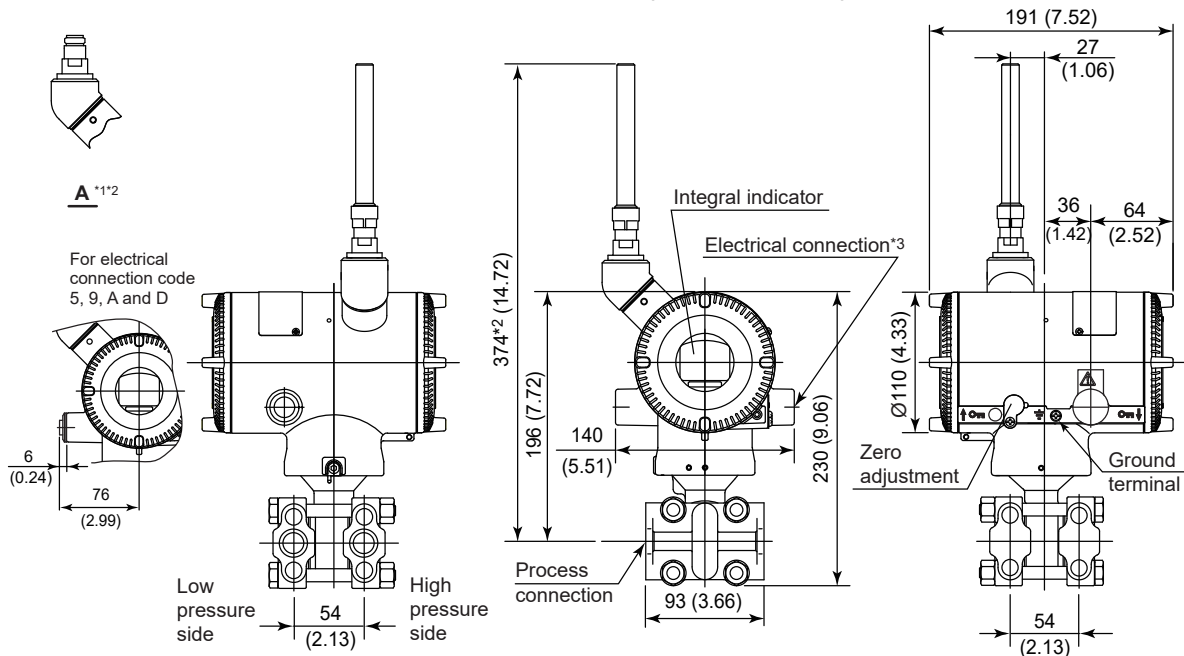
SD 01C27B10-01EN

Unit: mm (approx. inch)

- Wetted Parts Material Code S, except for Measurement Span Code F and Option Code /HD, /HD2

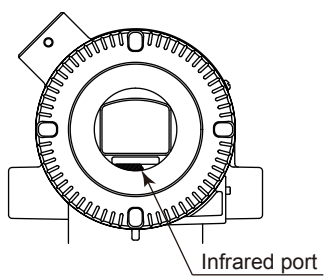


- Wetted Parts Material Code: H, M, T, Measurement Span Code F or Option Code /HD, /HD2



- *1: When amplifier housing code 9 is selected, the value is 240 mm (9.45 inch). In this case, the figure is shown as A.
- *2: When amplifier housing code 9 is selected, the value is 254 mm (10.00 inch). In this case, the figure is shown as A.
- *3: Applicable for the external powered type.
- *4: When electrical connection code 7 or C is selected, a blind plug is protruded upto 8 mm (0.31 inch) from the electrical connection.

- Infrared Configuration



- Terminal Configuration for the External Powered type

