

Drawings

AXF025, AXF040, AXF050, AXF080, AXF100 AXF Integral Flowmeter/Remote Flowtube AXF Standard (Wafer) Ceramics Lining

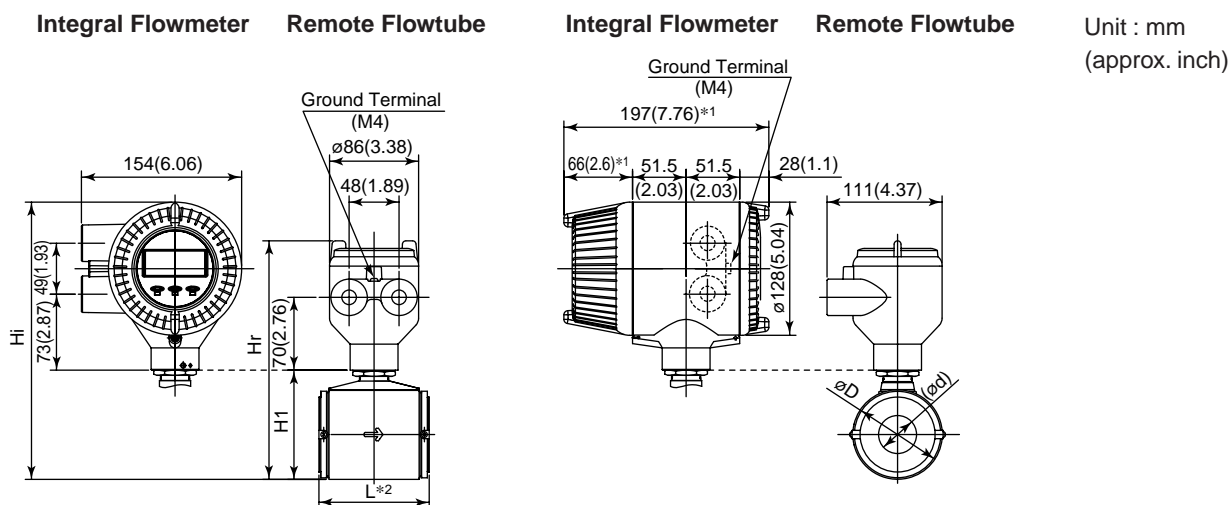


Fig05E.EPS

*No infra-red switches are furnished for Fieldbus communication type.

Model code:

AXF025 D^{*4}
 AXF040 E 1
 AXF050 G — F 2 C E 1 □ — A □ □ 1
 AXF080 C G N
 AXF100 N
 P

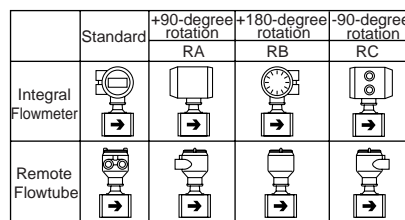
*4: D, E, F, G ; Integral Flowmeter, N, P: Remote Flowtube

Model	Size code		025	040	050	080	100
	Size		25(1)	40(1.5)	50(2)	80(3)	100(4)
	Lining code		C	C	C	C	C
Remote Flowtube	Face-to-face length	L ^{*2}	93(3.66)	106(4.17)	120(4.72)	160(6.30)	180(7.09)
	Outside dia.	∅D	67.5(2.66)	86(3.39)	99(3.90)	129(5.08)	155(6.10)
Integral Flowmeter	Inner diameter of Grounding ring	∅d	27(1.06)	40(1.57)	52(2.05)	81(3.19)	98(3.86)
	Height	H1	92(3.62)	111(4.37)	129(5.08)	159(6.26)	184(7.24)
Remote Flowtube	Max. Height	Hr	216(8.50)	235(9.25)	253(9.96)	283(11.14)	308(12.13)
	Weight	kg (lb)	2.3(5.1)	3.2(7.0)	4.1(9.0)	6.8(15.0)	9.6(21.1)
Integral Flowmeter	Max. Height	Hi	254(9.98)	273(10.73)	291(11.44)	321(12.64)	346(13.62)
	Weight	kg (lb)	4.0(8.8)	4.9(10.8)	5.8(12.7)	8.5(18.8)	11.3(24.9)

TD03E.EPS

Lining code : C; Ceramics

* When option code RA, RB, or RC is selected, the direction of electrical connection change as below.



F19-1E.EPS

*1: When indicator code N is selected, subtract 12mm(0.47inch) from the value in the figure. In case of explosion proof type with indicator, add 5 mm (0.2 inch) to it.

*2: Depending on the selection of grounding ring code and optional code, add the following value to L(face-to-face length).

Grounding Ring Code	S, L, H, V	P, T	N
L(Face-to-face length)	+0	+22(0.87)	-6(0.24)

Unless otherwise specified, difference in the dimensions are specified as : General tolerance = ± (Criteria of tolerance class IT18 in JIS B0401) / 2

Integral Flowmeter

BRAIN/HART Communication Type

Terminal configuration

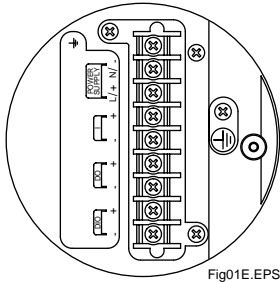


Fig01E.EPS

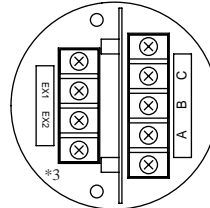
Terminal wiring

Terminal Symbols	Description
	Functional grounding
N/- L/+	Power supply
I+ I-	Current output 4 to 20mA DC
DO+ DO-	Pulse output/Alarm output/ Status output
DIO+ DIO-	Alarm output/Status output Status input
	Protective grounding (Outside of the terminal)

Fig01-2E.EPS

Remote Flowtube

Terminal configuration



*3: In case of explosion proof type, (functional grounding terminal) is added.

Fig02E.EPS

Terminal wiring

Terminal Symbols	Description
A B C	Flow signal output
EX1 EX2	Excitation current input
	Protective grounding (Outside of the terminal)

FOUNDATION Fieldbus/PROFIBUS PA Communication type

Terminal configuration

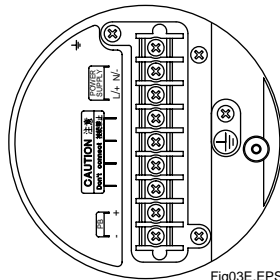


Fig03E.EPS

Terminal wiring

Terminal Symbols	Description
	Functional grounding
N/- L/+	Power supply
FB+ FB-	Fieldbus communication signal
	Protective grounding (Outside of the terminal)

Fig01-3E.EPS