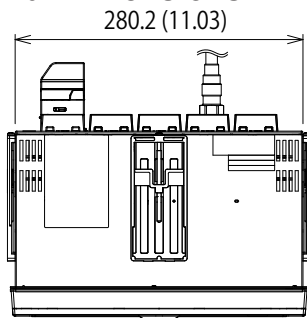


SD 04L51B11-01EN

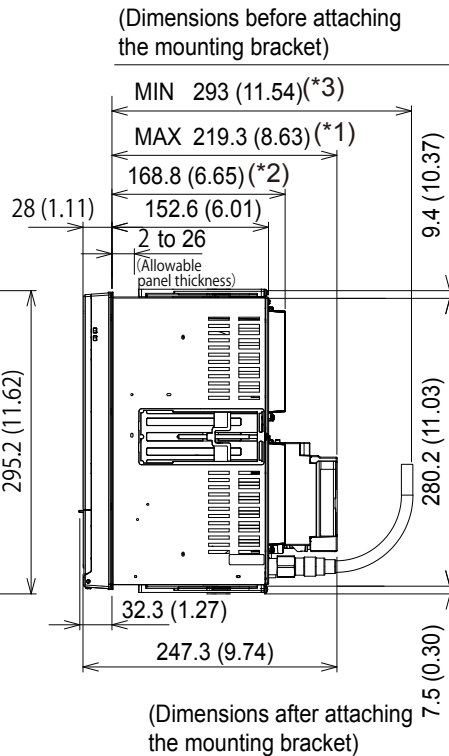
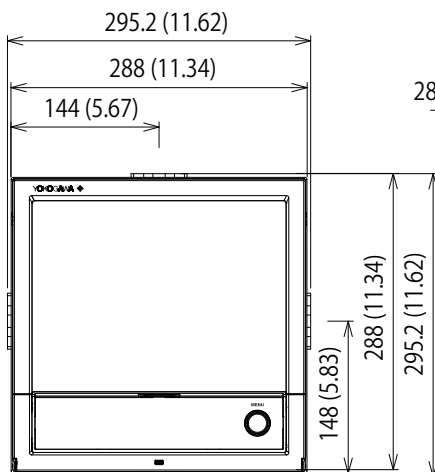
Unit: mm  
(approx. inch)

### [ Main Unit ]

#### External Dimensions

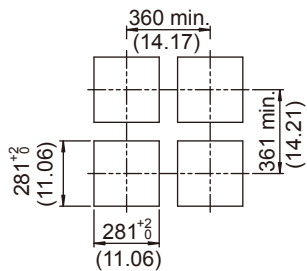


Unless otherwise specified, tolerance is  $\pm 3\%$  (however, tolerance is  $\pm 0.3$  mm when below 10 mm).



- \*1: With module
- \*2: Without module
- \*3: When fixing cable

#### Panel Cutout Dimensions



#### Arrangement of the Terminals

