

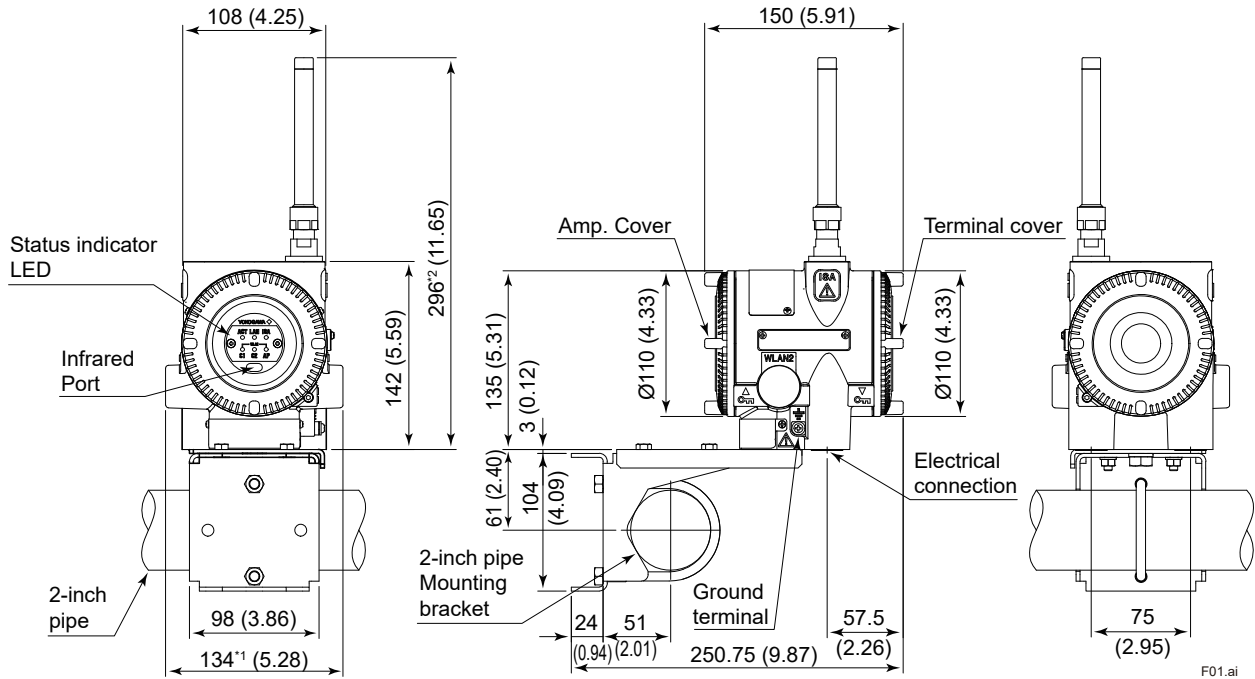
Drawings

YFGW510 Field Wireless Access Point

SD 01W02E01-01EN

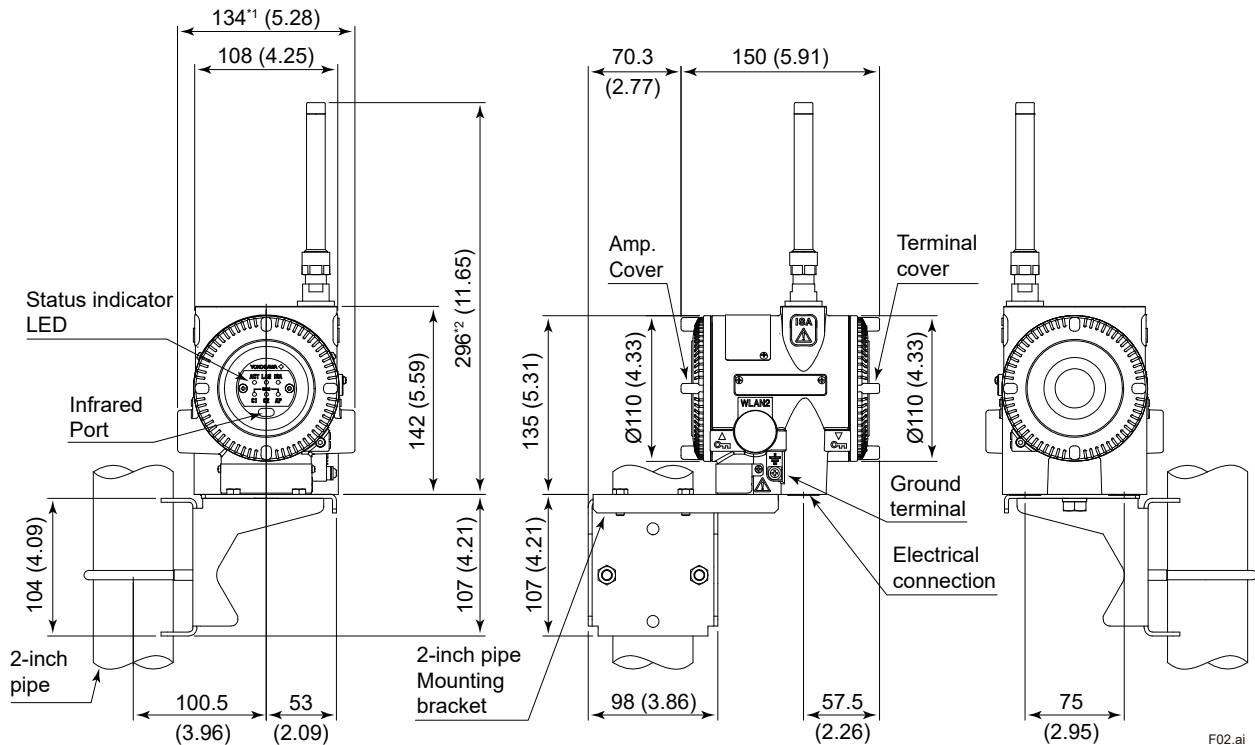
■ 2-inch pipe mounting (for horizontal piping)

Unit: mm (approx. inch)



F01.ai

■ 2-inch pipe mounting (for vertical piping)

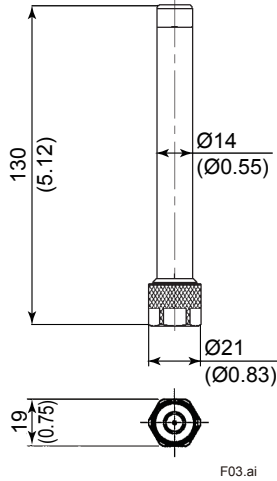


F02.ai

- *1: In the case of selecting 3, 4, and A in Wireless LAN antenna (1): 167 mm
In the case of selecting 3, 4, and A in Wireless LAN antenna (1) or (2): 204 mm
- *2: In the case of ISA100.11a antenna code 1.

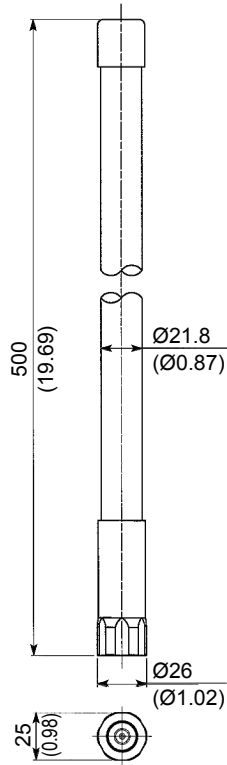
■ Antenna

- Standard Antenna (F9915KW)
Directional: Non-directional
Gain: 2 dBi



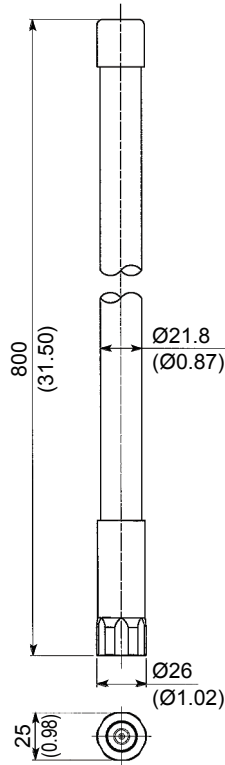
F03.ai

- High gain antenna (F9915KY)
Directional: Non-directional
Gain: 6 dBi



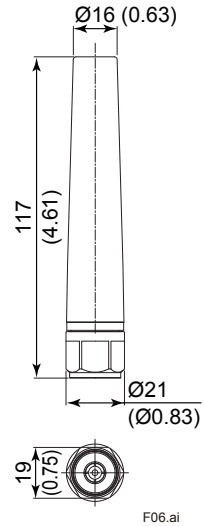
F04.ai

- High gain antenna (F9195VG)
Directional: Non-directional
Gain: 9 dBi



F05.ai

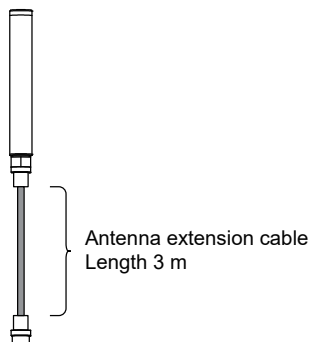
- Standard Antenna (F9195VA)
Directional: Non-directional
Gain: 2 dBi



F06.ai

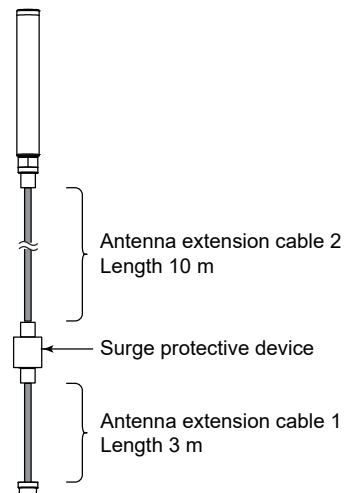
■ Remote antenna cable

- Cable 3 m



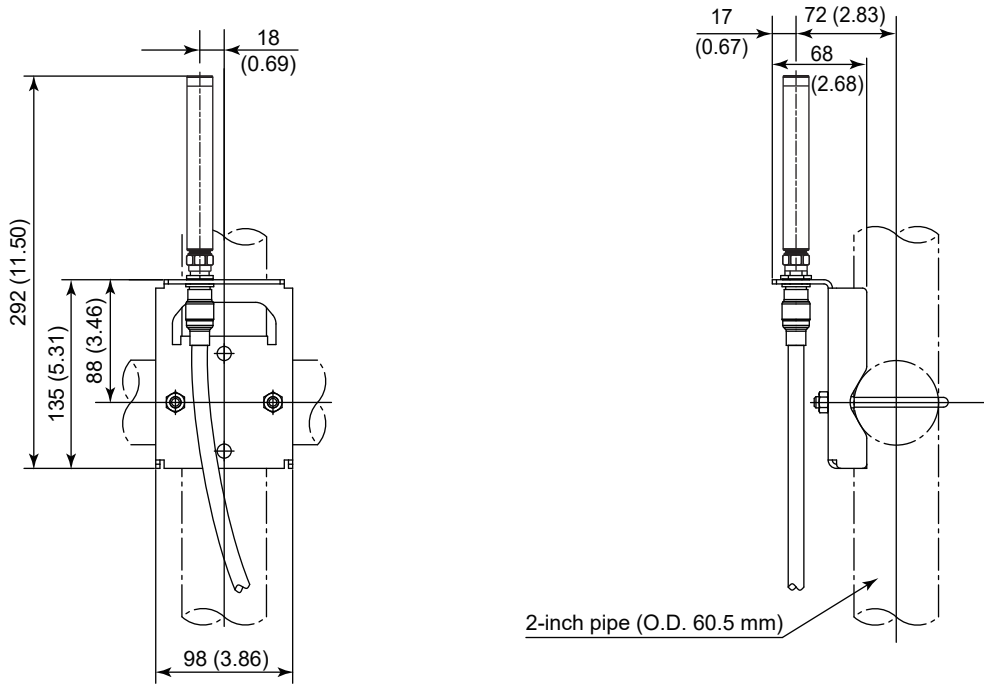
F07.ai

- Cable 13 m



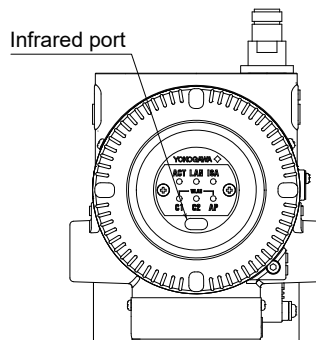
F08.ai

■ Antenna mounting bracket



F09.ai

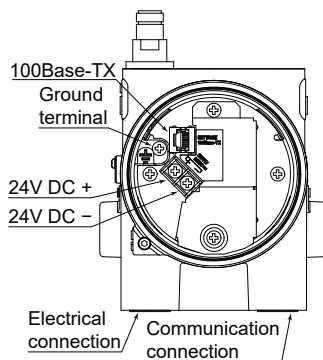
■ INFRARED CONFIGURATION



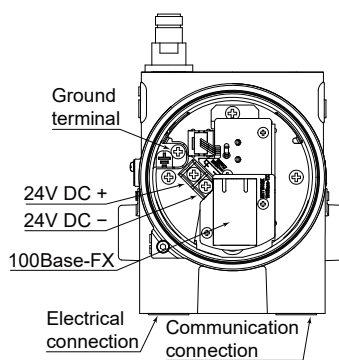
F10.ai

■ Terminal Configuration

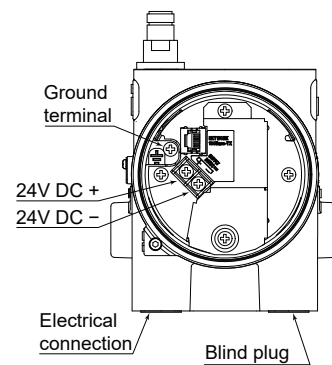
■ Communication Interface: 1



■ Communication Interface: 2



■ Communication Interface: 5 *1



F11.ai

*1: Don't use the 100 BASE-TX connection by RJ-45 connector.