

# Drawings

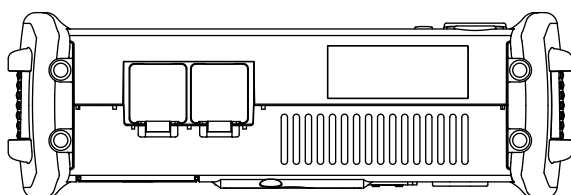
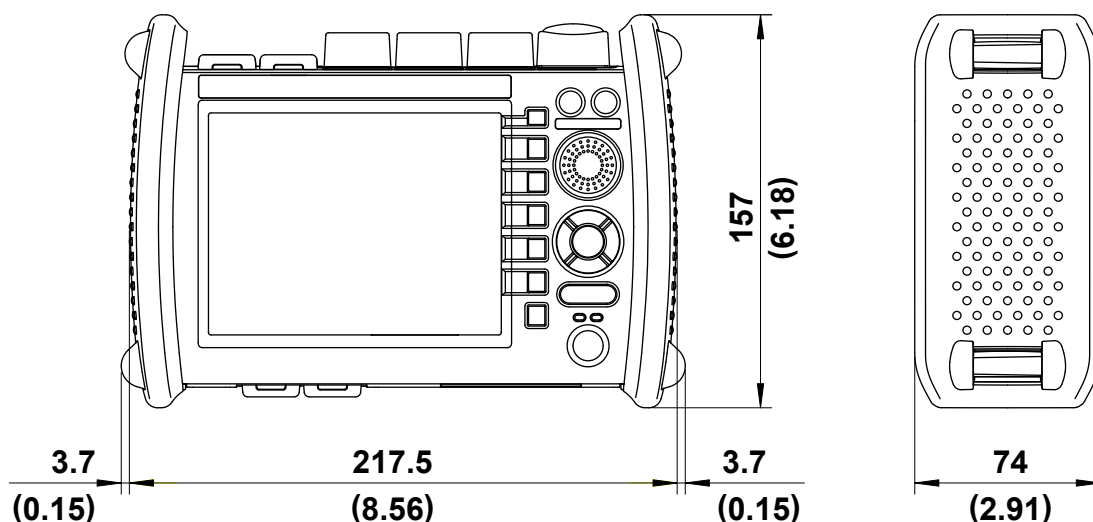
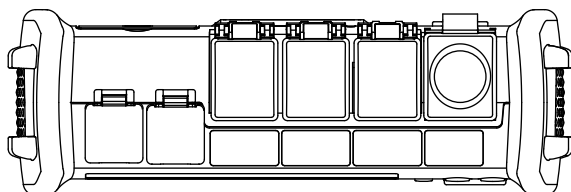
MODEL AQ1300

AQ1300

AQ1300

10G Ethernet Multi Field Tester

Unit : mm  
(approx. inch)



If not specified, the tolerance is  $\pm 3\%$ . However, in cases of less than 10 mm, the tolerance is  $\pm 0.3$  mm.