

General Specifications

Models AR-PY and AR-WY Outdoor-installed Waterproof Boxes (for Two Arresters)

GS 77M02Y02-01E

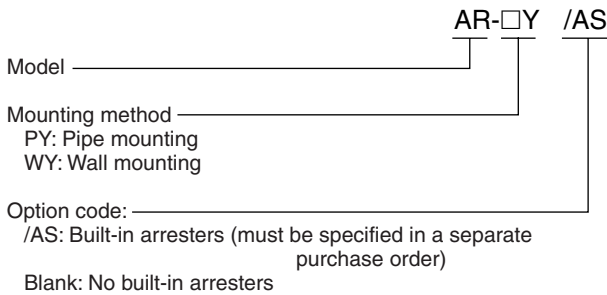
■ GENERAL

This document explains the general specifications of the AR-PY and AR-WY outdoor-installed waterproof boxes for housing up to two arresters.

■ ARRESTER MODELS THAT CAN BE HOUSED

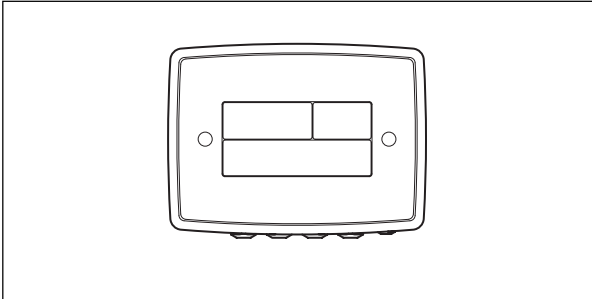
- AR-SA, AR-HA
- AR-TC, AR-RT
- AR-SY, AR-LP
- AR-HP, AR-SP
- AR-PS, AR-PH
- AR-PW, AR1-B2
- AR1-D6

■ MODELS AND SUFFIX CODES



■ MOUNTING AND APPEARANCE

- Construction: Compatible with IP53 protection
- Material: Main unit = Glass-reinforced polycarbonate resin (greenish gray)
 Mounting bracket = Stainless steel
- Mounting method:
 Mounted on a JIS 50A (2-inch) pipe or a wall
- External dimensions:
 203 mm (H) × 275 mm (W) × 90 mm (D)
 (main unit only, excluding mounting brackets, cable glands and protrusions)
- Weight: Approximately 2.2 kg (AR-PY) and 2.0 kg (AR-WY)



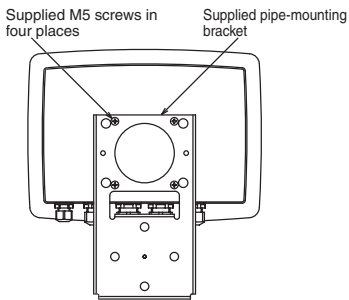
■ ACCESSORIES

- M4 screws for mounting arresters: 8
- Pipe-mounting bracket: 1 — for AR-PY only
- U-shaped bracket assembly: 1 (one U-shaped bracket and two M8 nuts) — for AR-PY only
- Wall-mounting bracket: 1 — for AR-WY only
- M5 screws for fixing the wall-mounting bracket: 4
- Hand tool for drilling wiring holes: 1
- Large wiring cable glands: 4
- Small grounding cable gland: 1

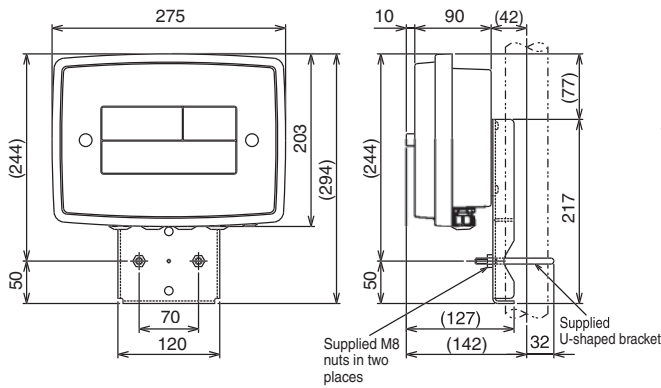
EXTERNAL DIMENSIONS

<AR-PY for Pipe Mounting>

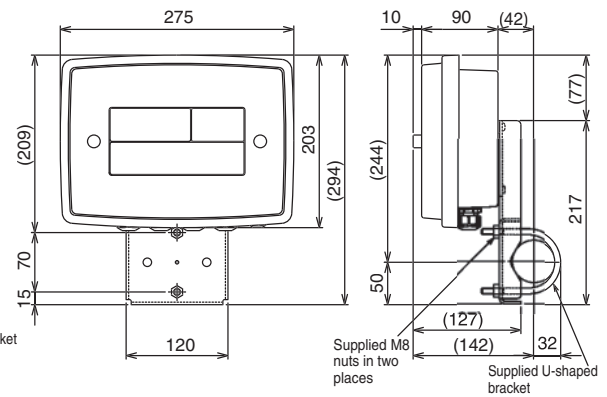
● Fixing the Mounting Bracket



● Vertical Mounting

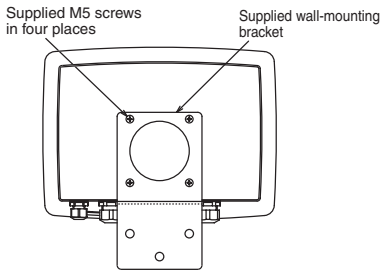


● Horizontal Mounting

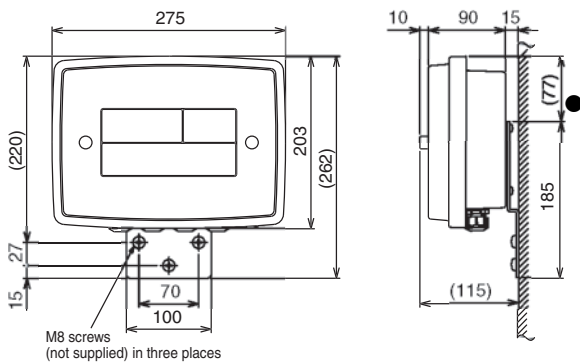


<AR-WY for Wall Mounting>

● Fixing the Mounting Bracket



● Wall Mounting



● The information contained herein is subject to change without prior notice for the purpose of improving product quality and/or performance.