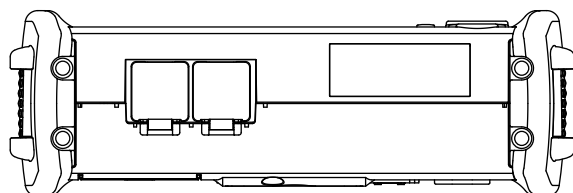
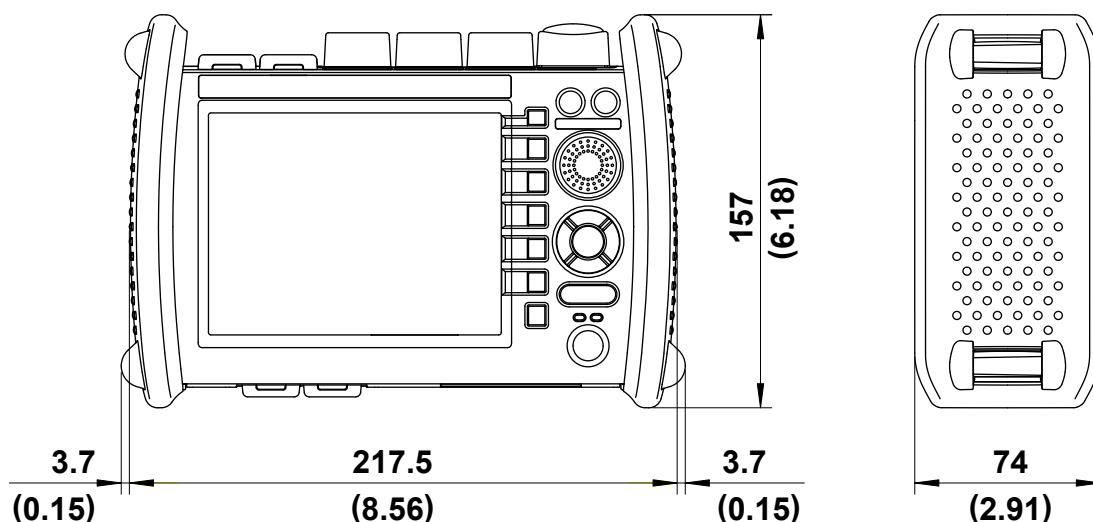
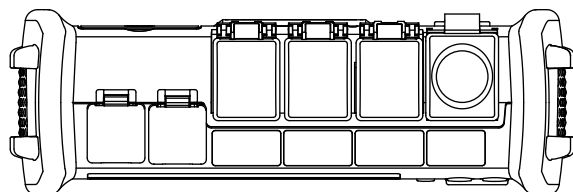


Drawings

MODEL AQ1100A/ AQ1100B/ AQ1100D AQ1100 OLTS Multi Field Tester

AQ1100

Unit : mm
(approx. inch)



If not specified, the tolerance is $\pm 3\%$. However, in cases of less than 10 mm, the tolerance is ± 0.3 mm.