

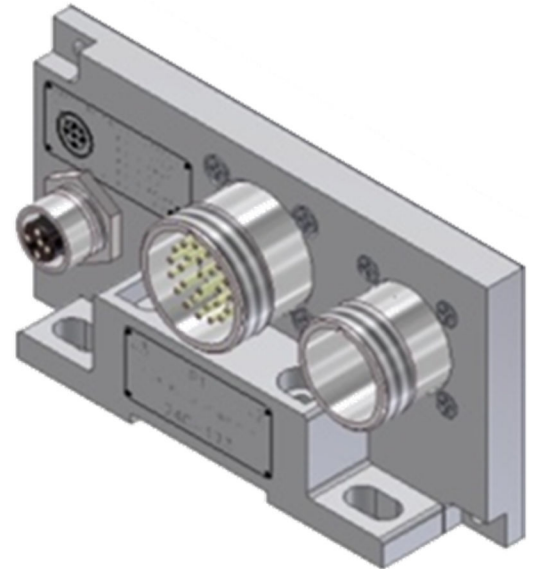
Data Sheet – ROBOT EE-Interface Endplate Generation 2000 Valve Platforms

ROBOT End Effector Interface

The Numatics 2005,2012 & 2035 series valve manifolds with EE-Interface Endplate allows direct connectivity to the FANUC EE robot connection. It provides the user, quick and easy integration of Numatics 2005/2012/2035 solenoid valves and I/O; without the need for external junction boxes or wire terminations.

The Endplate incorporates the standard M27 - 26 Pin "EE-Interface" connector (found on appropriately equipped FANUC robots), an M23 - 12 Pin pass through connector for input sensor blocks; along with an integrated M12 - 5 Pin connector for external Pressure Switch connection.

All appropriate control signals are routed from the robots EE-Interface (RI-Signal) via a single multi-conductor cable assembly (sold separately) to the M27- 26 Pin "P1" connector on the manifold endplate.



Technical Data

Endplate Data

Endplate Part Number	240-173
Valve Support	2005, 2012 & 2025 Series
Input Capability	8 Points, Discrete PNP
Output Capability (coils)	8 Points, Discrete PNP

Electrical Data

Voltage	+24 VDC +/- 10%
EE-Interface Robot Connection	M27 26 Pin Male - P1
Auxiliary Input Interface	M23 12 Pin Female - J2
Auxiliary Pressure Switch Interface	M12 5 Pin Female - J3

Mechanical Data

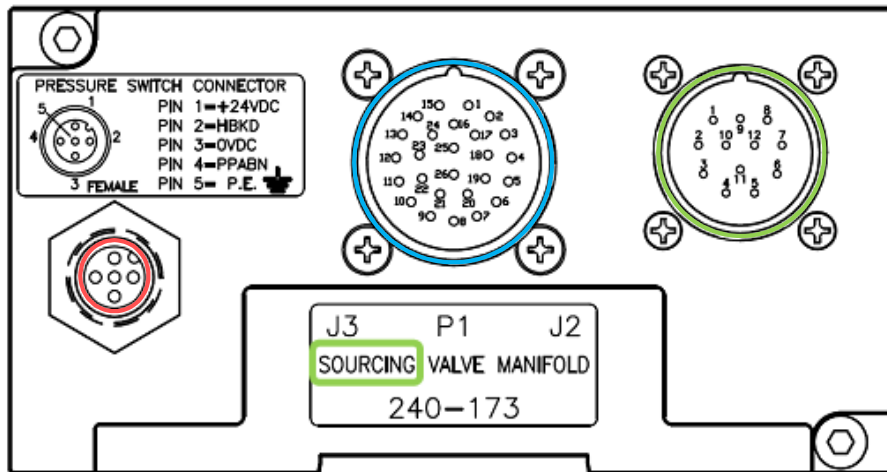
Endplate Weight	221 grams
-----------------	-----------

Operating Data

Temperature Range	-10° to 115° F (-23° to 46° C)
Humidity	95% relative humidity: non-condensing

Data Sheet – ROBOT EE-Interface Endplate Generation 2000 Valve Platforms

Pin Out Diagram



J3 Connector – M12 5 Pin Female – Pressure Switch Interface

Pin #1 = +24 VDC Pin #2 = HBKD
Pin #3 = 0 VDC Pin #4 = PPABN
Pin #5 = P.E.

P1 Connector – M27 26 Pin Male – EE Interface

Pin #1 = Output #1	Pin #10 = Input #2	Pin #19 = + 24 VDC
Pin #2 = Output #2	Pin #11 = Input #3	Pin #20 = + 24 VDC
Pin #3 = Output #3	Pin #12 = Input #4	Pin #21 = 0 VDC
Pin #4 = Output #4	Pin #13 = Input #5	Pin #22 = HBKD
Pin #5 = Output #5	Pin #14 = Input #6	Pin #23 = PPABN
Pin #6 = Output #6	Pin #15 = Input #7	Pin #24 = 0 VDC
Pin #7 = Output #7	Pin #16 = Input #8	Pin #25 = N.C.
Pin #8 = Output #8	Pin #17 = + 24 VDC	Pin #26 = N.C.
Pin #9 = Input #1	Pin #18 = + 24 VDC	

J2 Connector – M23 12 Pin Female – Input Interface

Pin #1 = Input #1	Pin #7 = Input #7
Pin #2 = Input #2	Pin #8 = Input #8
Pin #3 = Input #3	Pin #9 = 0 VDC
Pin #4 = Input #4	Pin #10 = 0 VDC
Pin #5 = Input #5	Pin #11 = +24 VDC
Pin #6 = Input #6	Pin #12 = P.E. ⚡

Data Sheet – ROBOT EE-Interface Endplate Generation 2000 Valve Platforms

Ordering Example

(Please access the online configuration tool for proper order/part number information)

AK**Z**EC00003N**A27**

A27 = Fanuc Robot EE Connection Interface

D28 = Fanuc Robot EE Connection Interface + Muffler in End Plates

2005

2012

2035

Numatics Valves Series Supported

Separate valve catalogs can be referenced
on the Numatics website

Z = Robot End Effector Connection Interface

EXAMPLE:

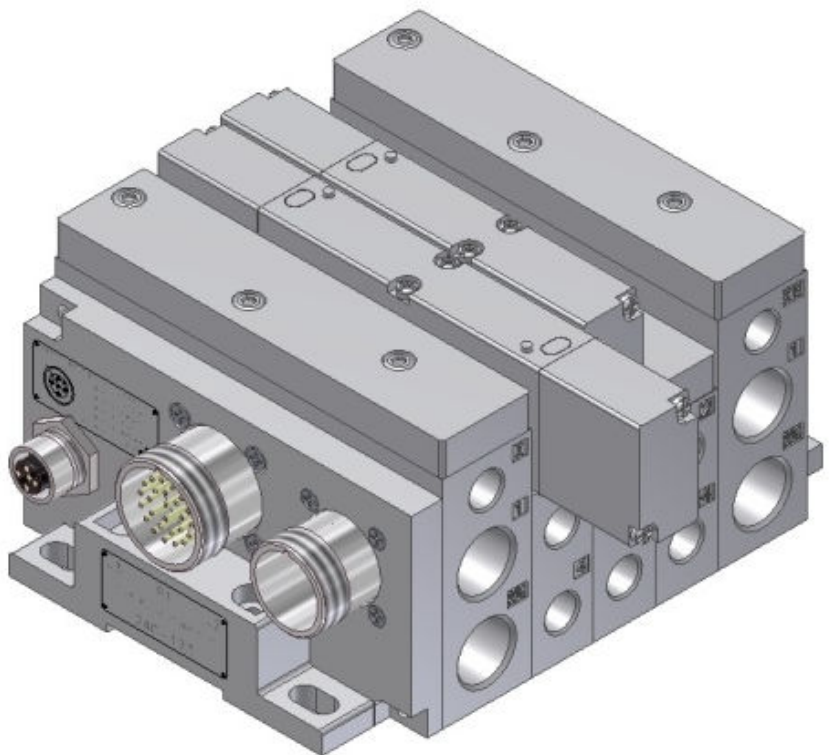
AK**Z**EC00002N**A27**

051BB4Z2MN00061

051BA4Z2MN00061

05100PZ20N00000

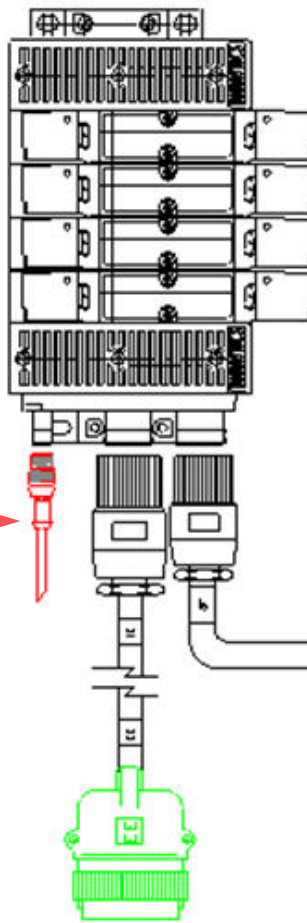
ASSEMBLED



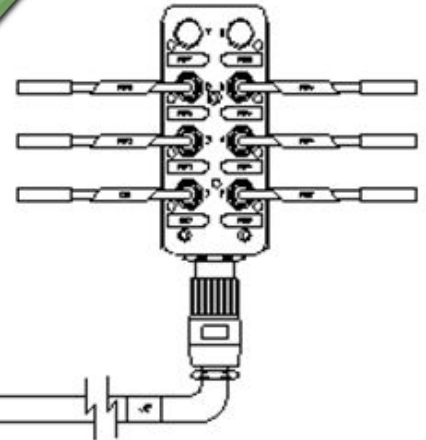
Data Sheet – ROBOT EE-Interface Endplate Generation 2000 Valve Platforms

Connection Options

Pressure Switch Integration



M23 – Input Module for J2 Connector (sold separately)



FANUC EE Cable – ME-1800-151-**xxx**

*From 0.5M to 3.0M; 0.5M Increments
(Available from FANUC Robotics)

(All Cables, Pressure Switches and Input Modules sold separately)