

# EZ-SCREEN® Low-Profile Systems with Integral Muting

Instruction Manual

Original Instructions  
150216 Rev. D  
17 January 2014



# Contents

1	About This Document	4
1.1	Important . . . Read This Before Proceeding!	4
1.1.1	Use of Warnings and Cautions	4
1.2	EC Declaration of Conformity (DOC)	4
1.3	Banner Engineering Corp. Limited Warranty	4
1.4	Contact Us	5
2	Introduction	6
2.1	Features	6
2.2	System Description	6
2.3	Appropriate Applications and Limitations	8
2.3.1	Examples: Appropriate Applications	8
2.3.2	Examples: Inappropriate Applications	8
2.4	Control Reliability: Redundancy and Self-Checking	9
2.5	Operating Features	9
2.5.1	Selectable Trip/Latch Outputs	9
2.5.2	External Device Monitoring (EDM)	10
2.5.3	Remote Test Input	10
2.5.4	Scan Code Configuration	10
2.5.5	Reduced Resolution (Floating Blanking)	10
2.5.6	Status Indicators	10
2.5.7	Manual Resets and Lockout Conditions	11
2.5.8	Fixed Blanking	11
2.5.9	Inverted Display	12
2.5.10	Muting Functions	12
2.5.11	Mute Devices	13
2.5.12	Mute Enable (ME)	14
2.5.13	Mute Lamp Output	14
2.5.14	Mute Time Limit (Backdoor Timer)	15
2.5.15	Bypass and Mute-Dependent Override	16
3	Mechanical Installation	20
3.1	Pre-Installation Considerations	20
3.1.1	Calculating the Safety Distance (Minimum Distance)	20
3.1.2	Reducing or Eliminating Pass-Through Hazards	23
3.1.3	Supplemental Safeguarding	23
3.1.4	Other Considerations	24
3.2	Mounting System Components	29
3.2.1	Overview of Emitter/Receiver Mounting Hardware	29
3.2.2	Sensor Mounting and Mechanical Alignment	32
3.2.3	Mounting Dimensions and Defined Area	33
4	Electrical Installation and Testing	35
4.1	Routing Cordsets	35
4.2	Initial Electrical Connections	36
4.3	Initial Checkout Procedure	36
4.3.1	Configuring the System for Initial Checkout	36
4.3.2	Initial Power-Up	37
4.3.3	Optical Alignment	37
4.3.4	Optical Alignment Procedure with Mirrors	39
4.3.5	Mute Configuration	39
4.3.6	Reduced Resolution (Floating Blanking)	40
4.3.7	Fixed Blanking	41
4.3.8	Trip Test	42
4.4	Electrical Connections to the Guarded Machine	43
4.4.1	OSSD Output Connections	43
4.4.2	FSD Interfacing Connections	44
4.4.3	Machine Primary Control Elements and EDM Input	45
4.4.4	External Device Monitoring	45
4.4.5	External Device Monitoring Hookup	46
4.4.6	Emitter Remote Test Input	46
4.4.7	Auxiliary (OSSD Follow/Fault) Output	46
4.4.8	Preparing for System Operation	46
4.4.9	Commissioning Checkout	46
4.5	Reference Wiring Diagrams	49
4.5.1	Generic Emitter Wiring Diagram	49
4.5.2	Generic Wiring to FSDs (manual reset)	50

4.5.3 IM-T-9A .....	51
4.5.4 SC22-3 .....	52
5 System Operation .....	53
5.1 Security Protocol .....	53
5.2 System Configuration Settings .....	53
5.3 Reset Procedures .....	54
5.3.1 Emitter and Receiver Resets .....	54
5.4 Status Indicators .....	55
5.4.1 Emitter .....	55
5.4.2 Receiver .....	55
5.5 Normal Operation .....	56
5.5.1 System Power-Up .....	56
5.5.2 Run Mode .....	56
5.6 Periodic Checkout Requirements .....	57
6 Troubleshooting and Maintenance .....	58
6.1 Troubleshooting and Lockout Conditions .....	58
6.2 Recovery Procedures .....	58
6.2.1 Emitter and Receiver Reset .....	58
6.2.2 Emitter Error Codes .....	59
6.2.3 Receiver Error Codes .....	59
6.2.4 Test Mode .....	62
6.3 Electrical and Optical Noise .....	62
6.3.1 Sources of Electrical Noise .....	63
6.3.2 Sources of Optical Noise .....	63
6.4 Servicing and Maintenance .....	63
6.4.1 Cleaning .....	63
6.4.2 Warranty Service .....	63
6.4.3 Manufacturing Date .....	63
6.4.4 Disposal .....	63
7 Checkout Procedure Schedule .....	64
7.1 Schedule of Checkouts .....	64
8 Typical Muting Applications .....	65
8.1 Entry/Exit Applications .....	65
8.2 Home or Station Applications .....	68
8.3 Robot Load/Unload Station Application .....	69
8.4 Turret Table Application .....	70
8.5 Power Press Applications .....	71
9 Specifications and Accessories .....	72
9.1 Standard Emitter and Receiver Models—14 mm Resolution .....	72
9.2 Standard Emitter and Receiver Models—25 mm Resolution .....	73
9.3 Specifications .....	74
9.3.1 General Specifications .....	74
9.3.2 Emitter Specifications .....	74
9.3.3 Receiver Specifications .....	75
9.4 Accessories .....	75
9.4.1 Cordsets .....	75
9.4.2 Interface Modules .....	82
9.4.3 Contactors .....	82
9.4.4 External Keyed Reset Switches .....	83
9.4.5 Snap-On Lens Shields .....	83
9.4.6 EZ-LIGHT® for EZ-SCREEN® Low Profile with Muting .....	83
9.4.7 MSA Series Stands .....	84
9.4.8 MSM Series Corner Mirrors .....	84
9.4.9 SSM Series Corner Mirrors .....	84
9.4.10 Accessory Mounting Brackets .....	85
9.4.11 Alignment Aids .....	86
9.4.12 Replacement Parts .....	86
10 Standards and Regulations .....	88
10.1 Applicable U.S. Standards .....	88
10.2 Applicable OSHA Regulations .....	88
10.3 International/European Standards .....	88
11 Glossary .....	89

# 1 About This Document

## 1.1 Important . . . Read This Before Proceeding!

---

It is the responsibility of the machine designer, controls engineer, machine builder, and/or maintenance electrician to apply and maintain this device in full compliance with all applicable regulations and standards. The device can provide the required safeguarding function only if it is properly installed, properly operated, and properly maintained. This manual attempts to provide complete installation, operation, and maintenance instruction. *Reading the manual in its entirety is highly recommended.* Please direct any questions regarding the application or use of the device to Banner Engineering.

For more information regarding U.S. and international institutions that provide safeguarding application and safeguarding device performance standards, see [Standards and Regulations](#) on page 88.



### WARNING: User Responsibility

The user is responsible to:

- Carefully read, understand, and follow the information in all documentation for this device.
- Perform a risk assessment of the specific machine guarding application. See ISO 12100 or ANSI B11.0.
- Determine what safeguarding devices and methods are appropriate per the requirements defined in ISO 13849-1, ANSI B11.19, and other appropriate standards.
- Create and confirm each configuration and then verify that the entire safeguarding system (including input devices and output devices) is operational and working as intended.
- Periodically re-verify, as needed, that the entire safeguarding system is working as intended.

Failure to follow any of these responsibilities may potentially create a dangerous condition that may lead to serious injury or death.

### 1.1.1 Use of Warnings and Cautions

This manual contains numerous WARNING and CAUTION statements:

- Warnings refer to situations that may lead to significant or serious personal injury or death. They are intended to remind the machine designer, controls engineer, machine builder, maintenance electrician, or the end user how to avoid misapplication of this device and effectively apply the EZ-SCREEN Low-Profile Systems with Integral Muting to meet the various safeguarding application requirements. The user is responsible to read and abide by the warnings.
- Cautions refer to situations that may lead to minor personal injury or potential damage to equipment.

## 1.2 EC Declaration of Conformity (DOC)

---

Banner Engineering Corp. herewith declares that the EZ-SCREEN Low-Profile Systems with Integral Muting are in conformity with the provisions of the Machinery Directive (2006/42/EC) and all essential health and safety requirements have been met.

Visit [www.bannerengineering.com](http://www.bannerengineering.com) for more information.

## 1.3 Banner Engineering Corp. Limited Warranty

---

Banner Engineering Corp. warrants its products to be free from defects in material and workmanship for one year following the date of shipment. Banner Engineering Corp. will repair or replace, free of charge, any product of its manufacture which, at the time it is returned to the factory, is found to have been defective during the warranty period. This warranty does not cover damage or liability for misuse, abuse, or the improper application or installation of the Banner product.

THIS LIMITED WARRANTY IS EXCLUSIVE AND IN LIEU OF ALL OTHER WARRANTIES WHETHER EXPRESS OR IMPLIED (INCLUDING, WITHOUT LIMITATION, ANY WARRANTY OF MERCHANTABILITY OR FITNESS FOR A PARTICULAR PURPOSE), AND WHETHER ARISING UNDER COURSE OF PERFORMANCE, COURSE OF DEALING OR TRADE USAGE.

This Warranty is exclusive and limited to repair or, at the discretion of Banner Engineering Corp., replacement. IN NO EVENT SHALL BANNER ENGINEERING CORP. BE LIABLE TO BUYER OR ANY OTHER PERSON OR ENTITY FOR ANY EXTRA COSTS, EXPENSES, LOSSES, LOSS OF PROFITS, OR ANY INCIDENTAL, CONSEQUENTIAL OR SPECIAL DAMAGES RESULTING FROM ANY PRODUCT DEFECT OR FROM THE USE OR INABILITY TO USE THE PRODUCT, WHETHER ARISING IN CONTRACT OR WARRANTY, STATUTE, TORT, STRICT LIABILITY, NEGLIGENCE, OR OTHERWISE.

Banner Engineering Corp. reserves the right to change, modify or improve the design of the product without assuming any obligations or liabilities relating to any product previously manufactured by Banner Engineering Corp.

## 1.4 Contact Us

### Corporate Headquarters

Address:  
Banner Engineering Corporate  
9714 Tenth Avenue North  
Minneapolis, Minnesota 55441, USA

Phone: +1 763 544 3164  
Website: [www.bannerengineering.com](http://www.bannerengineering.com)

### Europe

Address:  
Banner Engineering EMEA  
Park Lane Culliganlaan 2F  
Diegem B-1831, Belgium

Phone: +32 (0)2 456 0780  
Website: [www.bannerengineering.com/eu](http://www.bannerengineering.com/eu)  
Email: [mail@bannerengineering.com](mailto:mail@bannerengineering.com)

### Turkey

Address:  
Banner Engineering Turkey  
Barbaros Mah. Up Hill Court Towers A Blok No:49  
Bati Atasehir - Istanbul

Phone: +90 216 688 8282  
Website: [www.bannerengineering.com.tr](http://www.bannerengineering.com.tr)  
Email: [turkey@bannerengineering.com.tr](mailto:turkey@bannerengineering.com.tr)

### India

Address:  
Banner Engineering India Pune Head Quarters  
Office No. 1001, 10th Floor Sai Capital, Opp. ICC Senapati Bapat Road  
Pune 411016, India

Phone: +91 (0) 206 640 5624  
Website: [www.bannerengineering.co.in](http://www.bannerengineering.co.in)  
Email: [salesindia@bannerengineering.com](mailto:salesindia@bannerengineering.com)

### Mexico

Address:  
Banner Engineering de Mexico Monterrey Head Office  
Edificio VAO Av. David Alfaro Siqueiros No.103 Col. Valle Oriente C.P.66269  
San Pedro Garza Garcia, Nuevo Leon, Mexico

Phone: +52 81 8363 2714 or 01 800 BANNERE (toll free)  
Website: [www.bannerengineering.com.mx](http://www.bannerengineering.com.mx)  
Email: [mexico@bannerengineering.com](mailto:mexico@bannerengineering.com)

### Brazil

Address:  
Banner do Brasil  
Rua Barão de Tefé nº 1000, sala 54  
Campos Eliseos, Jundiaí - SP, CEP.: 13208-761, Brasil

Phone: +1 763 544 3164  
Website: [www.bannerengineering.com.br](http://www.bannerengineering.com.br)  
Email: [brasil@bannerengineering.com](mailto:brasil@bannerengineering.com)

### China

Address:  
Banner Engineering Shanghai Rep Office  
Xinlian Scientific Research Building Level 12, Building 2  
1535 Hongmei Road, Shanghai 200233, China

Phone: +86 212 422 6888  
Website: [www.bannerengineering.com.cn](http://www.bannerengineering.com.cn)  
Email: [sensors@bannerengineering.com.cn](mailto:sensors@bannerengineering.com.cn)

### Japan

Address:  
Banner Engineering Japan  
Cent-Urban Building 305 3-23-15 Nishi-Nakajima Yodogawa-Ku  
Osaka 532-0011, Japan

Phone: +81 (0)6 6309 0411  
Website: [www.bannerengineering.co.jp](http://www.bannerengineering.co.jp)  
Email: [mail@bannerengineering.co.jp](mailto:mail@bannerengineering.co.jp)

### Taiwan

Address:  
Banner Engineering Taiwan  
8F-2, No. 308 Section 1, Neihu Road  
Taipei 114, Taiwan

Phone: +886 (0)2 8751 9966  
Website: [www.bannerengineering.com.tw](http://www.bannerengineering.com.tw)  
Email: [info@bannerengineering.com.tw](mailto:info@bannerengineering.com.tw)

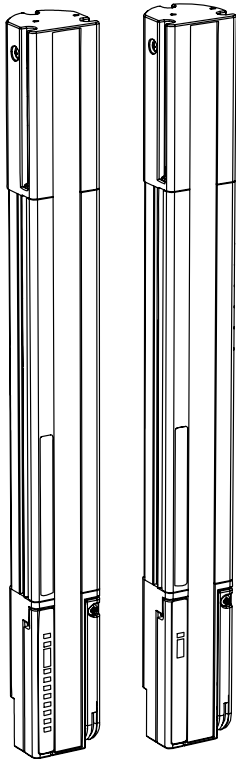
### South Korea

Address:  
Banner Engineering Korea  
8th Fl, CM Bldg, 32-7, Songpa-Dong Songpa-Gu  
Seoul 138-849, South Korea

Phone: +82 (0)2 417 0285  
Website: [www.bannerengineering.co.kr](http://www.bannerengineering.co.kr)  
Email: [info@bannerengineering.co.kr](mailto:info@bannerengineering.co.kr)

## 2 Introduction

### 2.1 Features



- A two-piece optoelectronic safeguarding device with integrated muting function
- Eight different pre-defined muting configuration options, including Bypass, Mute-Dependent Override, Mute Enable, and Mute-Cycle time extension (4 seconds) for "L"-style cell exit applications
- Mute Lamp and Status Outputs to EZ-LIGHT® (or other indicating devices) with RD cordsets and accessory end-cap mounting bracket
- Creates a screen of synchronized, modulated infrared sensing beams that extend from end-to-end of the housing (no "dead" zone)
- Low-profile compact package for smaller production machines, robust for large power presses
- 14 mm or 25 mm resolution; defined areas from 410 to 1810 mm (16.1 in. to 71.2 in)
- 100 mm to 7 m (4 in. to 23 ft) sensing range
- Easily configured reduced resolution and fixed blanking.
- Zone and Status indicators plus digital display to indicate number of beams blocked, detailed diagnostics
- FMEA tested to ensure control reliability
- Highly immune to EMI, RFI, ambient light, weld flash, and strobe light
- External device monitoring
- Vibration-tolerant, factory burned-in emitter and receiver circuitry for toughness and dependability
- Selectable Aux/Fault output option to monitor the state of the OSSDs or monitor receiver lockouts
- Selectable emitter test option simulates a "blocked" condition
- Safety PLC input compatible (per OSSD specifications)

### 2.2 System Description



NOTE: This manual refers to an emitter and its receiver, and their cabling as "a System".

Banner EZ-SCREEN LPM emitters and receivers provide a redundant, microprocessor-controlled, opposed-mode optoelectronic "curtain of light", or "safety light screen". EZ-SCREEN LPM typically is used for safeguarding applications where the temporary suspension of the safeguard (muting) is periodically required.



CAUTION: Mute Status Must Be Readily Observable

Indication that the safety device is muted should be provided and be readily observable. Failure of this indication should be detectable and prevent the next mute, or the operation of the indicator should be verified at suitable intervals. Lamp Monitoring must be selected if the application requires compliance with UL 61496.

The EZ-SCREEN LPM is a two-piece (two-box) system comprising an emitter and a receiver, but no external controller. The external device monitoring (EDM) function ensures the fault detection capability required by EN ISO 13849-1 Categories 3 and 4 without a third box, a controller or a "smart" (self-checking) safety module required of systems without EDM.

The EZ-SCREEN LPM emitters have a row of synchronized modulated infrared (invisible) light-emitting diodes (LEDs) in a compact metal housing. Receivers have a corresponding row of synchronized photodetectors. The light screen created by the emitter and receiver is called the defined area; its width and height are determined by the length of the sensor pair and the distance between them. The low-profile housing provides maximum sensing within minimum space; its defined area (sensing area) is equivalent to the height of the housing. The maximum sensing range is 7 m (23 ft), which decreases if corner mirrors are used. The sensing area extends from end to end of the housing; there is no "dead zone." Specialty brackets allow easy mounting of sensors.

In typical operation, if any part of an operator's body (or any opaque object) of more than a pre-determined cross section is detected, the solid-state Output Signal Switching Device (OSSD) safety outputs turn OFF. These safety outputs are connected to the guarded machine's Final Switching Devices (FSDs) that control the machine primary control elements (MPCEs), which immediately stop the motion of the guarded machine.

The EZ-SCREEN Low-Profile Systems with Integral Muting monitor the redundant mute device inputs and automatically suspend the safeguarding function of a device during the non-hazardous portion of the machine cycle.

In this manual, the term "muting" refers to the automatic suspension of the safeguarding function of the EZ-SCREEN LPM during a non-hazardous portion of the machine cycle where personnel are not exposed to harm.

The muting function allows material to be manually or automatically fed into or removed from a machine process, without tripping the EZ-SCREEN LPM. The EZ-SCREEN LPM accomplishes this by using redundant microprocessors that monitor the status of inputs and outputs, so that a single fault will cause the receiver to issue a stop command to the machine. The EZ-SCREEN LPM, like all Banner safety products, is extensively FMEA (Failure Mode and Effects Analysis) tested to establish an extremely high degree of confidence that no internal component will, even if it does fail, cause a failure to danger. This design philosophy aids machine designers to comply with U.S. control reliability and worldwide standards for the highest level of safety.

The OSSD safety outputs are capable of performing a "handshake" communication with the muteable safety stop interface (MSSI) or universal safety stop interface (USSI) found on other Banner Engineering safety products.

Electrical connections (power, ground, inputs, and outputs) are made via M12 (Euro-style) quick-disconnects or unique RD (removable disconnect) cordsets, depending on model.

Functions such as Trip/Latch select, Display Invert, Safety Mute Function, Fixed Blanking, Reduced Resolution, Scan Code Select, and External Device Monitoring are described in [Operating Features](#) on page 9. An auxiliary (aux.) output may be used to signal the state of the OSSDs to a process controller. All models require a supply voltage of +24V dc  $\pm$ 15%.

Both emitter and the receiver feature 7-segment diagnostic displays and individual LEDs to provide continuous indication of operating status, configuration, and error conditions.

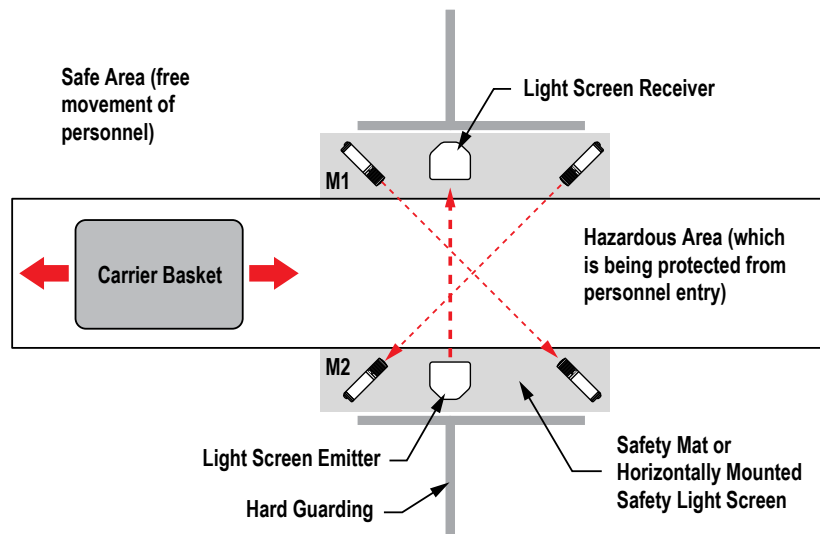


Figure 1. EZ-SCREEN LPM: Typical Application

## 2.3 Appropriate Applications and Limitations



### WARNING: Read this Section Carefully Before Installing the System

If all mounting, installation, interfacing, and checkout procedures are not followed properly, the Banner device cannot provide the protection for which it was designed. The user has the responsibility to ensure that all local, state, and national laws, rules, codes, or regulations relating to the installation and use of this control system in any particular application are satisfied. Ensure that all legal requirements have been met and that all technical installation and maintenance instructions contained in this manual are followed.

The user has the sole responsibility to ensure that this Banner device is installed and interfaced to the guarded machine by Qualified Persons, in accordance with this manual and applicable safety regulations.

The Banner EZ-SCREEN LPM is intended for point-of-operation machine guarding and other safeguarding applications. It is the user's responsibility to verify whether the safeguarding is appropriate for the application and is installed, as instructed by this manual, by a Qualified Person (as defined in the [Glossary](#) on page 89).

The EZ-SCREEN LPM ability to perform its safeguarding function depends upon the appropriateness of the application and upon its proper mechanical and electrical installation and interfacing to the guarded machine. If all mounting, installation, interfacing, and checkout procedures are not followed properly, the EZ-SCREEN LPM cannot provide the protection for which it was designed.



### CAUTION: Install System Only on Appropriate Applications

Banner EZ-SCREEN LPM is for use only on machinery that can be stopped immediately after a stop signal is issued at any point in the machine's stroke or cycle, such as part-revolution clutched machines. Under no circumstances may the EZ-SCREEN LPM be used on full-revolution clutched machinery or in unsuitable applications as those listed. If there is any doubt about whether or not your machinery is compatible with the EZ-SCREEN LPM, contact Banner Engineering.

### 2.3.1 Examples: Appropriate Applications

EZ-SCREEN LPM is typically used for, but is not limited to, the following applications:

- Entry/Exit Applications. The muting devices are placed to allow the entry or exit of a pallet or cart of work materials to enter or exit a workstation without tripping the safety light screen, and without allowing the entrance of personnel into the hazardous area.
- Home or Station Applications. The muting devices must be placed to mute the safety light screen only when a hazard does not exist or is in another area — so that personnel are not exposed to any hazard.
- Robot Load/Unload Station Application. The "Station" muting application uses independent safety light screen circuits, each with its own muting circuit and sensors to protect work locations. When a robot is active in Station A, for example, Station B safety light screen is muted.
- Turret Table Application. A "Turret Table" application is similar to the Robot Load/Unload Station muting application, except that any movement of the table ends the mute.
- Power Press Applications. The muting devices are placed so that the mute is initiated only during the non-hazardous, opening portion of the cycle (typically the machine upstroke).



### WARNING: Muting Limitations

Muting is allowed only during the nonhazardous portion of the machine cycle (ISO 13849-1 and ANSI B11.19).

See [Typical Muting Applications](#) on page 65 for more information.

### 2.3.2 Examples: Inappropriate Applications

EZ-SCREEN LPM may NOT be used with the following machinery or inappropriate applications:

- Any machine that cannot be stopped immediately after a stop signal is issued, such as single-stroke (or full-revolution) clutched machinery.
- Any machine with inadequate or inconsistent machine response time and stopping performance
- Any machine that ejects materials or component parts through the defined area
- In any environment that is likely to adversely affect photoelectric sensing efficiency. For example, corrosive chemicals or fluids or unusually severe levels of smoke or dust, if not controlled, may degrade sensing efficiency.



- As a tripping device to initiate or reinitiate machine motion (PSDI applications), unless the machine and its control system fully comply with the relevant standard or regulation (see OSHA 29CFR1910.217, ANSI/NFPA 79, ANSI B11.19, ISO 12100, IEC 60204-1, IEC 61496-1, or other appropriate standard)

If an EZ-SCREEN LPM is installed for use as a perimeter guard (where a pass-through hazard may exist), the dangerous machine motion can be initiated by normal means only after the safeguarded area is clear of individuals and the EZ-SCREEN LPM has been manually reset.

## 2.4 Control Reliability: Redundancy and Self-Checking

Redundancy requires that EZ-SCREEN LPM circuit components be backed up to the extent that, if the failure of a single component will prevent effective machine stopping action when needed, that component must have a redundant counterpart which will perform the same function. The EZ-SCREEN LPM is designed with redundant microprocessors.

Redundancy must be maintained whenever the EZ-SCREEN LPM is in operation. Because a redundant system is no longer redundant after a component has failed, EZ-SCREEN LPM is designed to monitor itself continuously. A component failure detected by or within the self-checking system causes a stop signal to be sent to the guarded machine and puts the EZ-SCREEN LPM into a Lockout condition.

Recovery from this type of Lockout condition requires:

- replacement of the failed component (to restore redundancy) and
- the appropriate reset procedure.

The Diagnostic Display is used to diagnose causes of a Lockout condition. See [Troubleshooting and Lockout Conditions](#) on page 58.

## 2.5 Operating Features

The Banner EZ-SCREEN Low-Profile Systems with Integral Muting models described by this manual feature standard functions:

- Integrated Muting
- Reduced Resolution (Floating Blanking)
- Trip or Latch Output
- External Device Monitoring (EDM)
- Auxiliary Output — OSSD Follow or Fault (see [Auxiliary \(OSSD Follow/Fault\) Output](#) on page 46)
- Scan Code setting
- Fixed Blanking
- Emitter Test and Fault functions
- Inverted Display
- Eight different standard muting configuration options
- Mute Lamp Monitoring
- Override and Bypass
- Mute Enable

These functions are configured via DIP switches (behind the access door on the front of each sensor) and/or the sensor wiring configuration.

The sensing resolution is determined by the emitter and receiver model.

### 2.5.1 Selectable Trip/Latch Outputs

The setting for Trip or Latch Output determines whether the System will enter RUN mode automatically after power-up, or if it will require a manual reset first. If the System is set for Trip Output, other measures must be taken to prevent a pass-through hazard.

- If Trip Output is selected, the OSSD outputs will turn ON after power is applied and the receiver passes its internal self-test/synchronization and recognizes that all beams are clear. The OSSD outputs will also turn on after all beams are cleared following a blocked beam.
- If Latch Output is selected, the EZ-SCREEN LPM requires a manual reset for the OSSD outputs to turn ON, whenever power is applied and all beams are clear, or following a blocked beam.



#### WARNING: Use of Trip/Latch Output

Application of power to the Banner device, the clearing of the defined area, or the reset of a Latch condition MUST NOT initiate dangerous machine motion. Machine control circuitry must be designed so that one or more initiation devices must be engaged (in a conscious act) to start the machine – in addition to the Banner device going into Run mode. Failure to follow these instructions may result in serious bodily injury or death.

### 2.5.2 External Device Monitoring (EDM)

The External Device Monitoring (EDM) feature allows the EZ-SCREEN LPM to monitor the status of external devices, such as MPCEs. The choices are 1- or 2-channel monitoring or no monitoring. EDM is used when the EZ-SCREEN LPM OSSD outputs directly control the MPCEs or other external devices.

### 2.5.3 Remote Test Input

EZ-SCREEN LPM emitters provide a Test function, selectable by DIP switch. An external switch, typically a normally open contact, held closed, is connected between the emitter and 24V dc. Opening the switch “turns off” the emitter, simulating an interruption of one or more light beams. This function may be useful for EZ-SCREEN LPM setup and to verify machine control circuit operation.

### 2.5.4 Scan Code Configuration

The emitter and receiver may be configured to one of two Scan Code positions (1 or 2); a receiver will recognize beams only from an emitter with the same setting. This helps minimize the effects of crosstalk between multiple emitter/receiver pairs, and allows multiple pairs to operate in close proximity in certain situations. The Scan Code is set via DIP switch on each sensor. Both the emitter and its corresponding receiver must have the same setting.

### 2.5.5 Reduced Resolution (Floating Blanking)

Reduced Resolution increases the minimum diameter of an object that the light screen can reliably detect anywhere within its defined area. Reduced Resolution is generally used to allow one or more objects (usually workpiece materials) to move anywhere through the defined area, without tripping the OSSD safety outputs. The effect is that any two consecutive beams (except for the sync beam) can be blocked, without causing the OSSDs to turn OFF. This is also called “Multiple-Point Floating Blanking.”

Reduced resolution directly affects the minimum allowable distance between the defined area of a light screen and the nearest hazard point (the Safety Distance). The receiver’s Green status indicator flashes when Reduced Resolution is enabled.

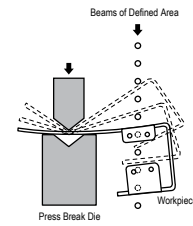


Figure 2. Reduced Resolution

### 2.5.6 Status Indicators

Status indicators on both the emitter and receiver are clearly visible on each sensor’s front panel.

Emitter:

Key	Description
A	Status Indicator (Red/Green)—shows whether power is applied, and whether the emitter is in Run mode, TEST mode, or Lockout condition.
B	7-segment Diagnostic Display—indicates specific error or configuration conditions.

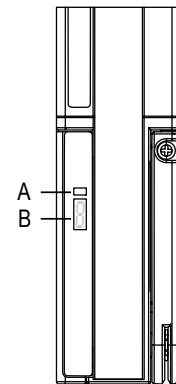


Figure 3. Emitter

Receiver:

1-Digit Diagnostic Display—indicates specific error, configuration conditions, or total number of blocked beams.

Key	Description
A	Reset Indicator
B	Status indicator (Red/Green)—shows System status: <ul style="list-style-type: none"> <li>• Reduced Resolution enabled (flashing green)</li> <li>• OSSDs are ON (green ON) or OFF (red ON)</li> <li>• The System is in Lockout condition (flashing red)</li> </ul>
C	7-Segment Diagnostic Display
D	Mute device 2 input indicator (Yellow)—shows: <ul style="list-style-type: none"> <li>• Object detected (yellow ON)</li> <li>• Object not detected (yellow OFF)</li> </ul>
E	Mute device 1 input indicator (Yellow)—shows: <ul style="list-style-type: none"> <li>• Object detected (yellow ON)</li> <li>• Object not detected (yellow OFF)</li> </ul>
F	Zone indicators (Red/Green)—each shows status of approximately 1/6 of the total beams: <ul style="list-style-type: none"> <li>• Aligned and clear (green ON)</li> <li>• Blocked and/or misaligned (red ON)</li> <li>• Fixed blanked area (flashing green)</li> </ul>
G	Zone 1 Indicator—indicates beam synchronization status

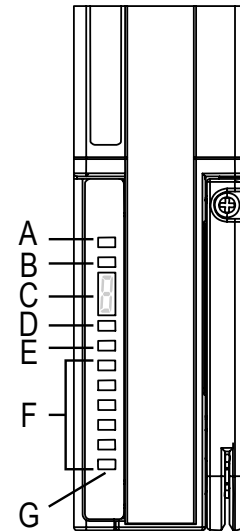


Figure 4. Receiver

## 2.5.7 Manual Resets and Lockout Conditions

### Reset Routine

The EZ-SCREEN LPM requires a manual reset to clear a Power-Up Lockout or Latch condition, and after the cause of a Lockout condition is corrected. This function is designed to provide a monitored manual reset (that is, an open-closed-open action), such that a shorted or tied-down button cannot cause a reset. When a key-operated switch is used, it is typically called a key reset. (Reset switch is sold separately.)

To perform a manual reset, close the normally open switch for at least 1/4 second, but no longer than 2 seconds, and then re-open the switch.

A Lockout condition causes the EZ-SCREEN LPM OSSD outputs to turn OFF. A Lockout condition is indicated by a flashing red emitter or receiver Status indicator and an error number displayed on the Diagnostic Display. Lockout conditions require a manual reset routine to return the System to Run mode after the failure has been corrected. A description of possible lockouts, their causes, and troubleshooting hints are listed in [Troubleshooting and Lockout Conditions](#) on page 58.

### Trip Output/Auto Reset

While the use of a reset switch is recommended, it is not required for receivers configured for Trip Output (automatic reset). Cycling the supply power (OFF for > 2 seconds, then ON) also clears lockouts if their cause has been corrected. If a reset switch is not used, and the Override and Bypass functions are not configured or needed, leave pin 12 (violet wire) not connected (open) and secure it against shorting to a source of power or ground.

## 2.5.8 Fixed Blanking

The fixed blanking feature allows for a stationary object(s) positioned in the defined area, such as tooling, to be ignored. A flashing Green Zone indicator denotes the location of a blanked area. If the object is either moved or removed, the System goes into Lockout mode, ensuring that an unexpected hole in the sensing field is not created.

Fixed blanking is easily configured, simply by positioning the object(s), flipping two DIP switches and resetting the System. See [Fixed Blanking](#) on page 41.

## 2.5.9 Inverted Display

A DIP switch can be used to invert the seven-segment display. This makes the display “right reading” when an emitter and receiver are mounted with the QD connector ends up (upside down).

## 2.5.10 Muting Functions

To mute the primary safeguard appropriately, the design of a muting system must:

1. Identify the non-hazardous portion of the machine cycle.
2. Select the proper muting devices.
3. Include proper mounting and installation of those devices.

The EZ-SCREEN LPM can monitor and respond to redundant signals that initiate the mute. The mute then suspends the safeguarding function. This allows a person to interrupt the defined area to load and/or unload parts or an object to pass through the defined area of a safety light screen, without generating a stop command. (This should not be confused with blanking, which disables one or more beams in a safety light screen, resulting in larger resolution.) See [Muting Timing Sequences](#) on page 15 for example mute timing sequences.

The mute may be triggered by a variety of external devices. This feature provides a variety of options to tailor the System to the requirements of a specific application. A pair of muting devices must be triggered within 3 seconds of each other but order does not matter. This reduces the chance of common mode failures or defeat.

### Mute Configuration Options

Option	Mute Time (Backdoor Timer)	Bypass/Override Function	Override Timeout	Mute Enable Function	Mute Delay Time
1	Infinite	No	N/A	Yes	N/A
2	60 seconds	No	N/A	Yes	N/A
3	Infinite	Bypass	5 minutes	No	N/A
4	60 seconds	Bypass	5 minutes	No	N/A
5	Infinite	Mute-Dependent Override	60 seconds	No	N/A
6 <sup>1</sup>	60 seconds	Mute-Dependent Override	60 seconds	No	N/A
7	60 seconds	Mute-Dependent Override	60 seconds	No	4 seconds
8	Infinite	Bypass	5 minutes	No	4 seconds



NOTE: See [Mute Configuration](#) on page 39 for configuration procedure.



NOTE: Options 7 and 8 are intended for “Exit Only” applications and provides a 4 second mute off-delay time. Once both mute devices are actuated within 3 seconds of each other, and the receiver is blocked, the receiver OSSDs will remain ON for 4 seconds after the first mute device (M1 or M2) is cleared, or until the receiver defined area is clear, whichever comes first.



#### WARNING: Muting Limitations

Muting is allowed only during the nonhazardous portion of the machine cycle (ISO 13849-1 and ANSI B11.19).



#### WARNING: Muting Inputs Must Be Redundant

Do NOT use a single switch, device, or relay with two N.O. contacts for the mute inputs. A single device, with multiple outputs, may fail so that the System is muted at an inappropriate time. This may result in a hazardous situation.

<sup>1</sup> Factory default configuration

## 2.5.11 Mute Devices

The beginning and end of a mute cycle must be triggered by outputs from the muting devices, depending on the application. The mute devices must either have normally open contacts, or have PNP outputs both of which fulfill the muting device requirements (see [General Muting Device Requirements](#) on page 13). These contacts must close (conduct) when the switch is actuated to initiate the mute, and must open (non-conducting) when the switch is not actuated and in a power-OFF condition.

The EZ-SCREEN LPM monitors the mute devices to verify that their outputs turn ON within 3 seconds of each other (order does not matter). If the inputs do not meet this simultaneity requirement, a mute condition can not occur.

Mute devices should be connected to the same power supply as the receiver. Several types and combinations of mute devices can be used, including, but not limited to: limit switches, photoelectric sensors, positive-driven safety switches, inductive proximity sensors, and “whisker” switches (see [General Muting Device Requirements](#) on page 13).

### General Muting Device Requirements

The muting devices (typically sensors or switches) must, at a minimum, comply with the following requirements:

1. There must be a minimum of two independent hard-wired muting devices.
2. The muting devices must either both have normally open contacts or PNP outputs both of which must fulfill the input requirements listed in the Specifications. These contacts must close when the switch is actuated, and must open (or not conduct) when the switch is not actuated or in a power OFF condition.
3. The activation of the inputs to the muting function must be from separate sources. These sources must be mounted separately in order to prevent an unsafe muting condition resulting from misadjustment, misalignment, or a single common mode failure. (For example, physical damage to the mounting surface could cause both muting devices to be knocked out of alignment, resulting in false muting input signals.) Only one of these sources may pass through, or be affected by, a programmable logic controller or similar device.
4. The muting devices must be installed so that they can not be easily defeated or bypassed.
5. The muting devices must be mounted so that their physical position and alignment can not be easily changed.
6. It must not be possible for environmental conditions to initiate a mute condition (e.g., extreme airborne contamination).
7. The muting devices must not be set to use any delay or other timing functions (unless such functions are accomplished so that no single component failure prevents the removal of the hazard, subsequent machine cycles are prevented until the failure is corrected, and no hazard is created by extending the muted period).

### Examples of Muting Sensors and Switches

#### Photoelectric Sensors (Opposed Mode)

Opposed-mode sensors, which initiate the muted condition when the beam path is blocked, should be configured for dark operate (DO) and have open (non-conducting) output contacts in a power OFF condition. Both the emitter and receiver from each pair should be powered from the same source, to eliminate common mode failures.

#### Photoelectric Sensors (Polarized Retroreflective Mode)

The user must ensure that false “proxing” (activation due to shiny or reflective surfaces) is not possible. Banner “LP” sensors with linear polarization can greatly reduce or eliminate this effect.

Use a sensor configured for Light Operate (LO or N.O.) if initiating a mute when the retroreflective target or tape is detected (e.g., home position). Use a sensor configured for Dark Operate (DO or N.C.) when a blocked beam path initiates the muted condition (e.g., entry/exit). Both situations must have open (non-conducting) output contacts in a power OFF condition.

#### Positive-Opening Safety Switches

Two (or four) independent switches, each with a minimum of one closed safety contact to initiate the mute cycle, are typically used. *An application using a single switch with a single actuator and two closed contacts could result in an unsafe situation.*

#### Inductive Proximity Sensors

Typically, inductive proximity sensors are used to initiate a muted cycle when a metal surface is detected. Due to excessive leakage current causing false ON conditions, two-wire sensors are not to be used. Only three- or four-wire sensors that have discrete PNP or hard-contact outputs that are separate from the input power can be used.



NOTE: Typical Entry/Exit is Dark Operate (DO) with through-beam or polarized retroreflective sensors. Typical Home Position and Power Press applications are Light Operate (LO) or “closed switch to mute”.



**WARNING: Avoid Hazardous Installations**

Two or four independent position switches must be properly adjusted or positioned so that they close only after the hazard no longer exists, and open again when the cycle is complete or the hazard is again present. If the switches are improperly adjusted or positioned, injury or death may result.

The user is responsible to satisfy all local, state, and national laws, rules, codes, and regulations relating to the use of safety equipment in any particular application. Make sure that all appropriate agency requirements have been met and that all installation and maintenance instructions contained in the appropriate manuals are followed.

### 2.5.12 Mute Enable (ME)

The Mute Enable function (mute configuration options 1 and 2) allows the user control of the start of a mute condition. When the Mute Enable input is closed, the receiver will allow a mute condition to occur; opening this input while the System is muted will have no effect.

Typical uses for Mute Enable include:

- To allow the machine control logic to create a “window” for muting to begin;
- To inhibit muting from occurring; or
- To reduce the chance of unauthorized or unintended bypassing or defeat of the safety system.

#### Simultaneity Timer Reset Function

The Mute Enable input (ME/OR2) can also be used to reset the simultaneity timer of the mute inputs. If one mute input is active for longer than three seconds before the second input becomes active, the simultaneity timer will prevent a mute from occurring. This could be due to a normal stoppage of an assembly line that may result in blocking one mute device and the simultaneity time running out.

If the ME/OR2 input is cycled (closed-open-closed) while at least one mute input is active, the simultaneity timer is reset. If both mute inputs then becomes active within three seconds of each other, a normal mute begins. The timing requirement for the closed-open-closed is similar to the manual reset function. Initially, the input needs to be closed (+24V dc), then open for longer than 1/4 second, but not longer than 2 seconds, and then must re-close to reset the simultaneity timer. The function can reset the timer only once per mute.



**NOTE:** The Simultaneity Timer Reset function using the ME/OR2 input may not be used to reset an expired Mute Timer (Backdoor Timer).

### 2.5.13 Mute Lamp Output

The Mute Lamp output provides for the visible indication that the safety device's safeguarding function is muted. This indication must be readily observable. Failure of this indication should be detectable and prevent the safeguard from being muted, or the operation of the indicator should be verified at suitable intervals. The Mute Lamp output also indicates an Override or Bypass condition.

Some applications require a lamp (or some other means) be used to indicate when the EZ-SCREEN LPM is muted. The EZ-SCREEN LPM can be configured for a monitored or a non-monitored output signal. If a mute indicator fails (current draw falls below 10 mA or goes above 360 mA) while configured for monitored output, the system will prevent the initiation of a mute operation.



**CAUTION: Mute Status Must Be Readily Observable**

Indication that the safety device is muted should be provided and be readily observable. Failure of this indication should be detectable and prevent the next mute, or the operation of the indicator should be verified at suitable intervals. Lamp Monitoring must be selected if the application requires compliance with UL 61496.



DELPEF-4xD or DELPEF-5xD cordsets, depending on EZ-LIGHT model. See [4 and 5-Pin M12/Euro QD Cordsets](#) on page 82 for additional cordset information and [EZ-LIGHT® for EZ-SCREEN® Low Profile with Muting](#) on page 83 for additional EZ-LIGHT information.

## 2.5.14 Mute Time Limit (Backdoor Timer)

The Mute Time Limit (Backdoor Timer) allows the user to select a maximum period of time that muting is allowed to occur. The Mute Time Limit is either 60 seconds or infinite, depending on the mute configuration option selected (see Mute Configuration Options table in [Muting Functions](#) on page 12). The timer begins when the second muting device makes the simultaneity requirement (within 3 seconds of the first device), and will allow a mute to continue for the predetermined time. After the timer expires, the mute ends – no matter what the signals from the mute devices indicate. A Bypass (mute option 4) or Override (mute options 6 & 7) can be performed to clear the obstruction.



### WARNING: Mute Time Limit

An infinite time for the mute time limit (that is, disabling) should be selected only if the possibility of an inappropriate or unintended mute cycle is minimized, as determined and allowed by the machine's risk assessment. It is the user's responsibility to ensure that this does not create a hazardous situation.

## Muting Timing Sequences



NOTE: The timing logic is the same for two and four mute device applications as there are only two mute device inputs.

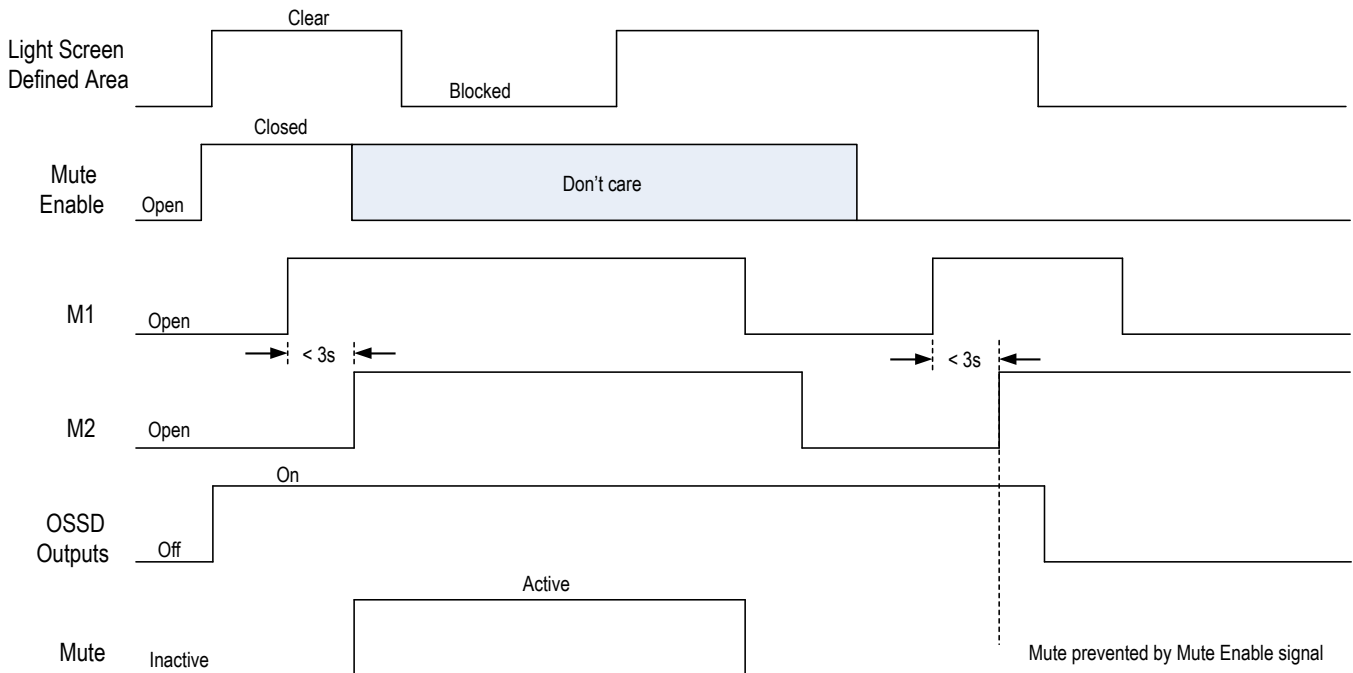


Figure 5. Timing Logic: Mute Configuration 1 or 2, Mute Function with Mute Enable

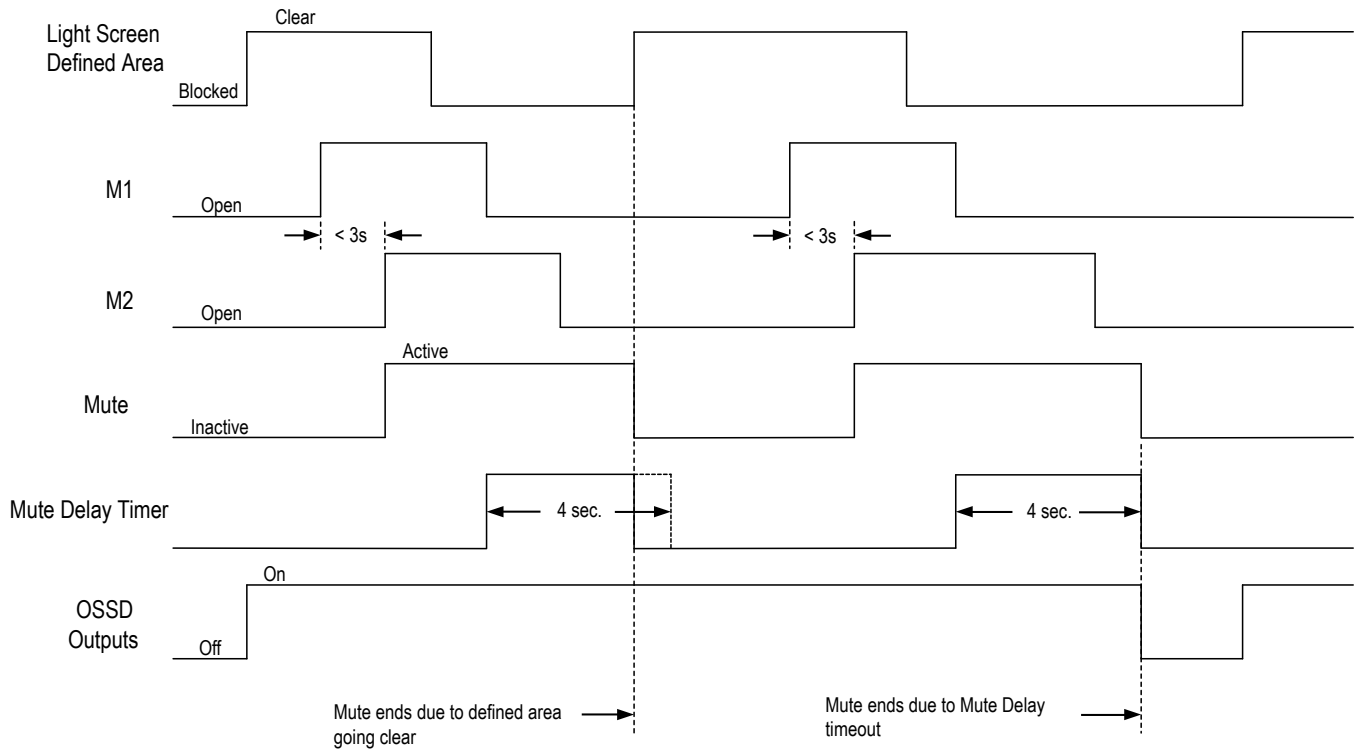


Figure 6. Timing Logic: Mute Configurations 7 and 8, Mute Function

### 2.5.15 Bypass and Mute-Dependent Override

"Overriding" or "Bypassing" a safeguarding device is the manual interruption or suspension of the normal function of a safeguard under supervisory control. Typically, an Override/Bypass is needed to clear an object that is "stuck" within the light curtain defined area, such as on an entry/exit application.

Overriding or bypassing a safeguarding device should not be confused with "muting," which is the temporary, automatic suspension of the safeguarding function of a safeguarding device during a non-hazardous portion of the machine cycle. Muting allows for material to be manually or automatically fed into a machine or process without issuing a stop command. Another term commonly confused with bypassing is "blanking," which desensitizes a portion of the sensing field of an optical safeguarding device (e.g., disabling one or more beams of a safety light curtain so that a specific beam break is ignored).

When Override or Bypass is used, the following precautions must be taken:

- Prevent exposure to any hazard during an Override/Bypass; supplemental safeguarding must be provided per ANSI B11.19, ANSI NFPA79, IEC/EN60204-1, and ISO13849-1
- The means of overriding/bypassing and visual indication must be provided and be readily observable from the location of the safeguard
- The reset, actuation, clearing, or enabling of the safeguarding device must not initiate hazardous motion or create a hazardous situation

The Override/Bypass switches must be supervised and must prevent automatic operation. This function requires complementary inputs; one normally open switch connected to the Reset/OR1 input (violet wire, pin 12) and one normally closed switch connected to the ME/OR2 input (pink wire, pin 6). Also, one or more of the following must be true:

- Motion should be initiated by a hold-to-run or similar device
- If a portable control station, for example, an enabling device, with an emergency stop device is used, motion may be initiated only from that station. All emergency stops must remain active.
- Automatic machine operation must be prevented by limiting range of motion, speed, or power, for example used only in inch, jog, or slow speed modes)

Mute-Dependent Override function (mute configuration option 5, 6, and 7) allows the user to manually force the OSSD outputs On for up to 60 seconds. To initiate an override, the light curtain defined area must be blocked with the OSSD outputs Off, and at least one mute device must be blocked. When the conditions for an override are met, the external mute lamp will flash. At this time, the normally open switch on Reset/OR1 must close, and the normally closed switch on



ME/OR2 must open within 3 seconds of each other. If these requirements are met, the external mute lamp will turn ON steady to indicate an override has occurred and the OSSDs will be On.

Bypass function (mute configuration options 3, 4 and 8) allows the user to manually force the OSSD outputs On for up to 5 minutes. To initiate a bypass, the light curtain cannot be in Lockout (fault) state, the normally open switch on Reset/OR1 must close, and the normally closed switch on ME/OR2 must open within 3 seconds of each other. If these requirements are met, the external mute lamp will turn On to indicate a bypass has occurred and the OSSDs will be On.



**WARNING: Limit Use of Bypass and Override Function**

The Bypass and Override functions are not intended for production purposes; they are to be used only for temporary or intermittent actions, such as to clear the defined area of a safety light screen if material becomes "stuck". When used, it is the user's responsibility to install and use it according to relevant standards (such as ANSI NFPA79 or IEC/EN60204-1).

### Override Timing Sequence

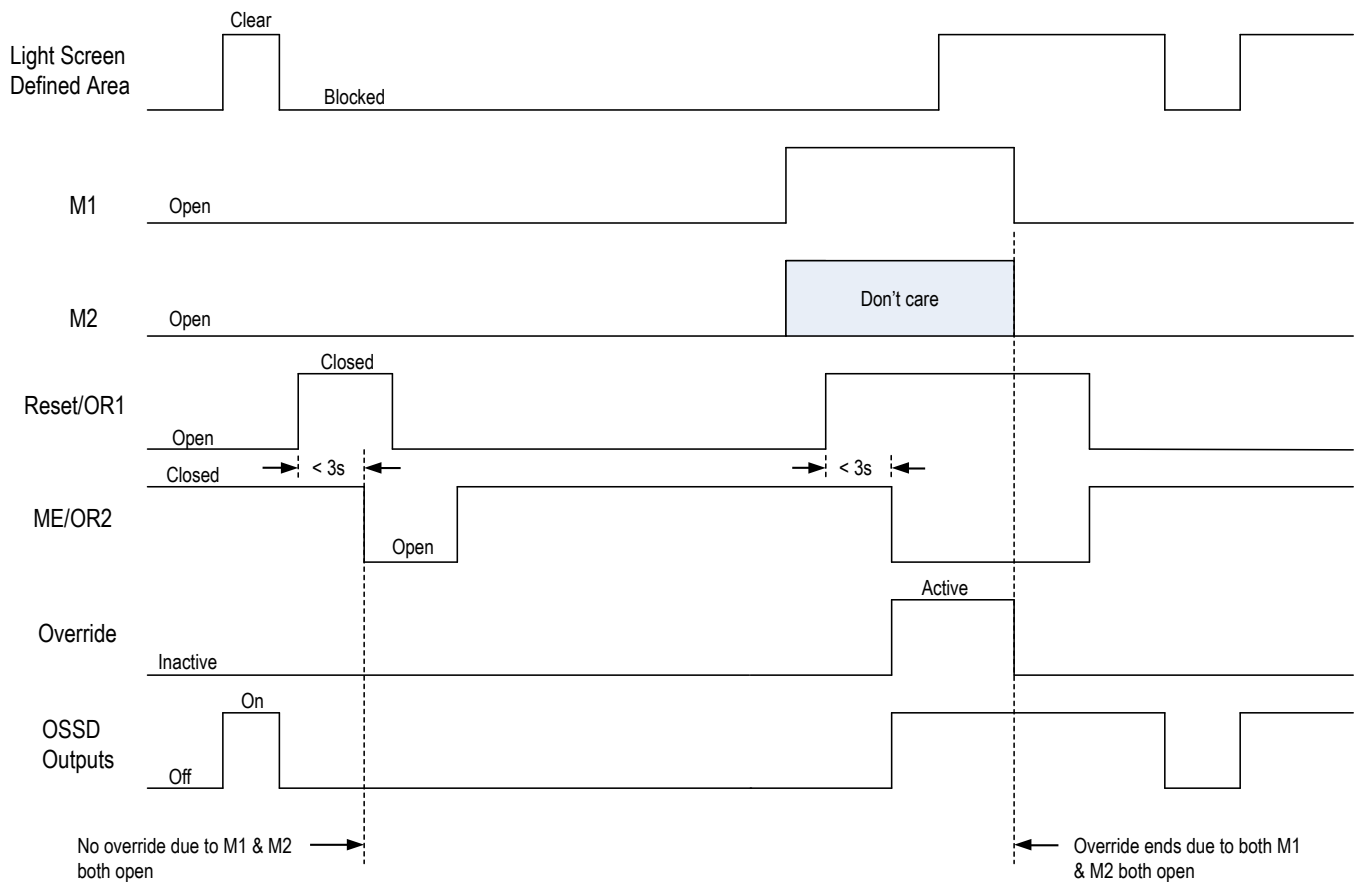


Figure 7. Timing logic: Mute configuration 5 or 6, Mute-Dependent Override Function

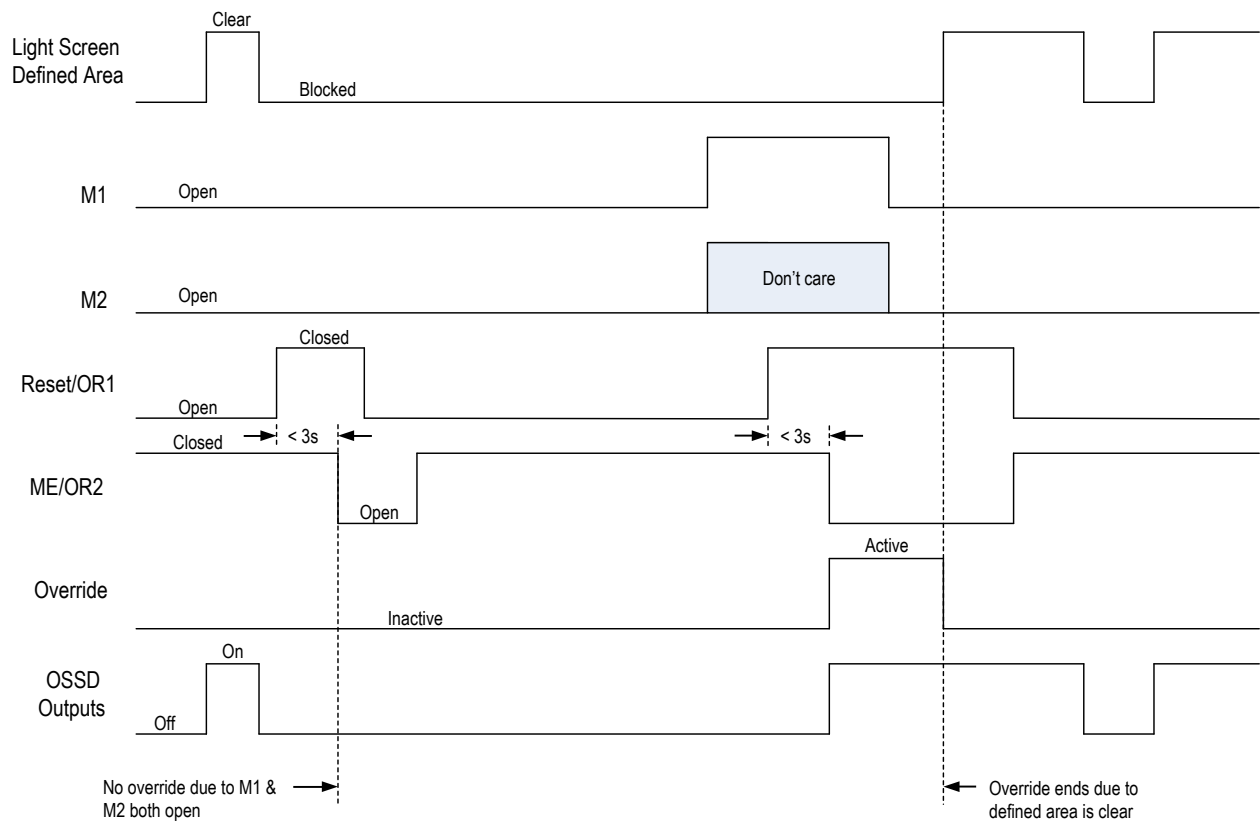


Figure 8. Timing logic: Mute configuration 7, Mute-Dependent Override Function

## Bypass Timing Sequence

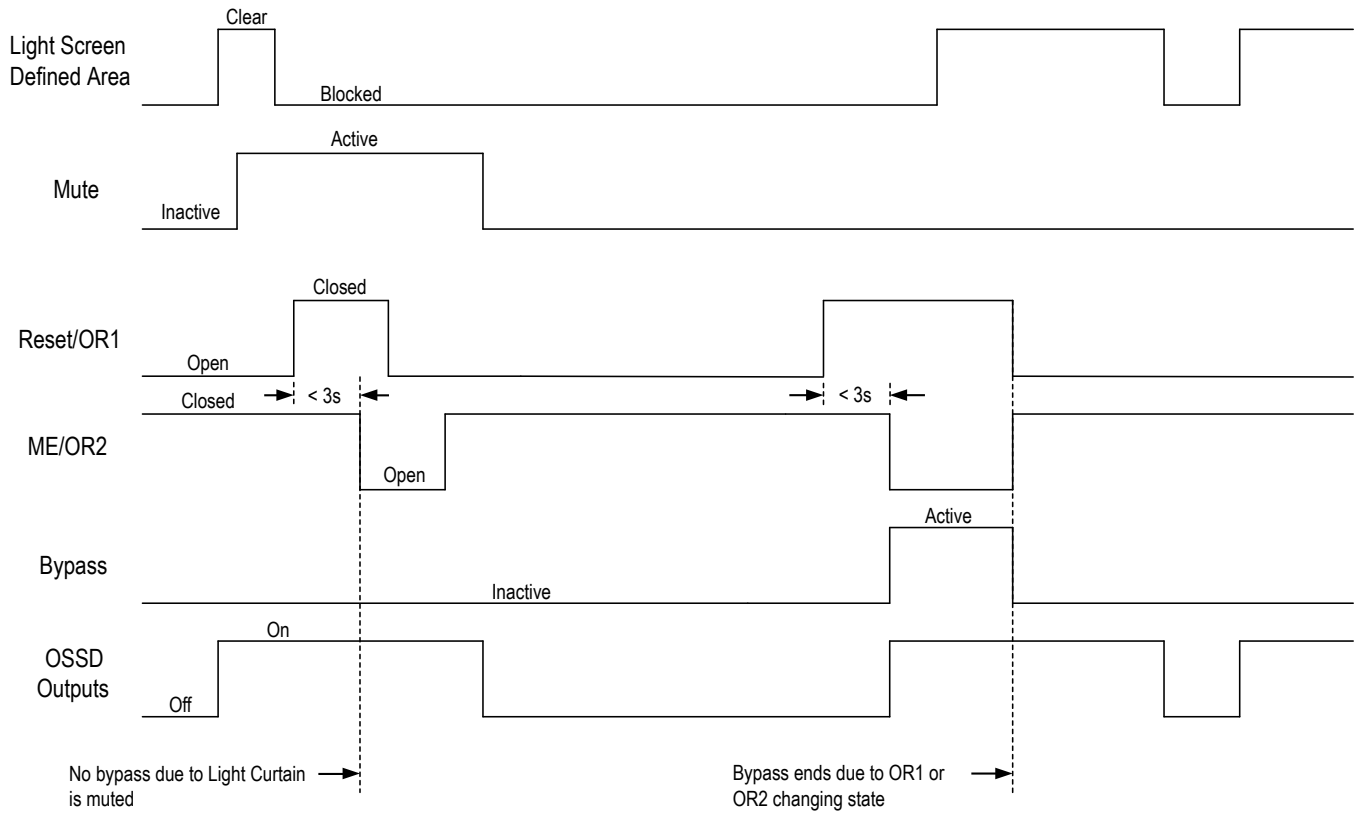


Figure 9. Timing Logic: Mute Configurations 3, 4, or 8, Bypass Function

## 3 Mechanical Installation

The effective use of the EZ-SCREEN LPM as a safety guarding device depends on two things:

- The suitability of the application
- The proper mechanical and electrical installation and interfacing to the guarded machine



**WARNING:** Read this Section Carefully Before Installing the System

If all mounting, installation, interfacing, and checkout procedures are not followed properly, the Banner device cannot provide the protection for which it was designed. The user has the responsibility to ensure that all local, state, and national laws, rules, codes, or regulations relating to the installation and use of this control system in any particular application are satisfied. Ensure that all legal requirements have been met and that all technical installation and maintenance instructions contained in this manual are followed.

The user has the sole responsibility to ensure that this Banner device is installed and interfaced to the guarded machine by Qualified Persons, in accordance with this manual and applicable safety regulations.

### 3.1 Pre-Installation Considerations

This subsection describes important considerations before you begin installing the EZ-SCREEN LPM. The two primary factors that influence the layout of the EZ-SCREEN LPM System's mechanical installation are the Safety Distance (Minimum Distance) (see [Calculating the Safety Distance \(Minimum Distance\)](#) on page 20) and supplemental safeguarding/eliminating pass-through hazards (see [Reducing or Eliminating Pass-Through Hazards](#) on page 23). Additionally, this section provides the following information:

- [Emitter and Receiver Orientation](#) on page 27
- [Adjacent Reflective Surfaces](#) on page 24
- [Use of Corner Mirrors](#) on page 25
- [Installation of Multiple Systems](#) on page 27



**WARNING:** Position Components Carefully

The emitter and receiver must be positioned such that the hazard cannot be accessed by reaching over, under, around, or through the sensing field. Additional and supplemental guarding may be required.

#### 3.1.1 Calculating the Safety Distance (Minimum Distance)

Safety Distance (Ds), also called Minimum Distance (S), is the minimum distance required between the defined area and the closest reachable hazard point. The distance is calculated so that when an object or a person is detected (by blocking a sensing beam), the EZ-SCREEN LPM sends a stop signal to the machine, causing it to stop by the time the object or person can reach any machine hazard point.

The distance is calculated differently for U.S. and European installations. Both methods take into account several factors, including a calculated human speed, the total system stopping time (which itself has several components), and the depth penetration factor. After the distance has been determined, record the calculated distance on the Daily Checkout Card.



**WARNING:** Safety Distance (Minimum Distance)

The Banner emitters and receivers must be mounted at a distance from the nearest hazard such that an individual cannot reach the hazard before cessation of the hazardous motion or situation. This distance can be calculated using the formulas in this section, as described by ANSI B11.19 and ISO 13855, and must be greater than 100 mm (4 in) regardless of calculated value. Failure to establish and maintain the safety distance (minimum distance) may result in serious bodily injury or death.

Reduced Resolutions increases Dpf (or C). Increase the depth penetration factor to calculate proper minimum distance whenever Reduced Resolution is used. Always turn Reduced Resolution Off when the larger minimum object detection size is not required.

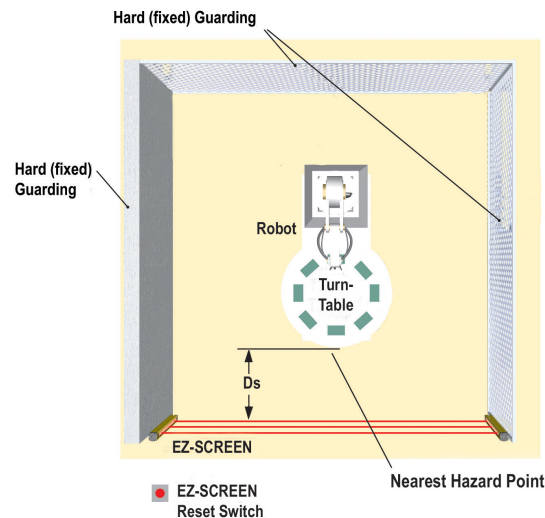


Figure 10. Safety distance and hard (fixed) guarding

## Formula and Examples

### U.S. Applications

The Safety (Separation) Distance formula for U.S. applications:

$$D_s = K \times (T_s + T_r) + D_{pf}$$

$D_s$

the Safety Distance, in mm (inches)

$K$

1600 mm per second (or 63 in per second), the OSHA 29CFR1910.217, and ANSI B11.19 recommended hand-speed constant (see Note 1 below).

$T_s$

the overall stop time of the machine (in seconds) from the initial stop signal to the final ceasing of all motion, including stop times of all relevant control elements (for example, IM-T-... Interface Modules) and measured at maximum machine velocity (see Note 3 below)

$T_r$

the maximum response time, in seconds, of the EZ-SCREEN LPM emitter/receiver pair (depending on model)

$D_{pf}$

the added distance due to the depth penetration factor as prescribed in OSHA 29CFR1910.217, and ANSI B11.19 for U.S. applications. See  $D_{pf}$  table below.

### European Applications

The Minimum Distance formula for European applications:

$$S = (K \times T) + C$$

$S$

the Minimum Distance, in mm, from danger zone to light screen center line; minimum allowable distance is 100 mm (175 mm for non-industrial applications), regardless of calculated value

$K$

hand-speed constant (see Note 2 below); 2000 mm/s (for Minimum Distances  $\leq$  500 mm) 1600 mm/s (for Minimum Distances  $>$  500 mm).

$T$

the overall machine stopping response time (in seconds), from the physical initiation of the safety device and the machine coming to a stop (or the hazard removed). This can be broken down into two parts:  $T_s$  and  $T_r$  where  $T = T_s + T_r$ .

$C$

the additional distance, in mm, based on intrusion of a hand or object towards the danger zone prior to actuation of a safety device. Calculate using the formula:

$$C = 8 \times (d - 14)$$

where  $d$  is the resolution of the light curtain (for  $d < 40$  mm), or use 850 mm for  $C$ .

Dpf Table

Reduced Resolution	Depth Penetration Factor (Dpf)	
	14 mm Systems	25 mm Systems
OFF	24 mm (0.94")	61 mm (2.4")
ON	92 mm (3.6")	915 mm (36")

## Notes:

1. The OSHA-recommended hand speed constant K has been determined by various studies and, although these studies indicate speeds of 1600 mm/sec. (63 in/sec.) to more than 2500 mm/sec. (100 in/sec.), they are not conclusive determinations. Consider all factors, including the physical ability of the operator, when determining the value of K to be used.
2. The recommended hand speed constant K, derived from data on approach speeds of the body or parts of the body as stated in ISO 13855.
3. Ts is usually measured by a stop-time measuring device. If the machine manufacturer's specified stop time is used, at least 20% should be added to allow for possible clutch/ brake system deterioration. This measurement must take into account the slower of the two MPCE channels, and the response time of all devices or controls that react to stop the machine.

**WARNING: Determine Correct Stop Time**

Stop time (Ts) must include the response time of all devices or controls that react to stop the machine. If all devices are not included, the calculated safety distance (Ds or S) will be too short. This can lead to serious bodily injury or death. Be sure to include the stop time of all relevant devices and controls in your calculations.

If required, each of the two Machine Primary Control Elements (MPCE1 and MPCE2) must be capable of immediately stopping the dangerous machine motion, regardless of the state of the other. These two channels of machine control need not be identical, but the stop time performance of the machine (Ts, used to calculate the safety distance) must take into account the slower of the two channels.

## Examples

## Example: U.S. Applications, Model SLPM..14-550

K	= 63 in. per second (the hand speed constant set by OSHA)
Ts	= 0.32 (0.250 second is specified by the machine manufacturer; plus 20% safety factor; plus 20 ms for interface module IM-T-9A response time)
Tr	= 0.0165 seconds (the specified response time of an SLPM..14-550 EZ-SCREEN LPM)
Dpf	= 3.6 in (14 mm resolution, Reduced Resolution ON)

Substitute the numbers into the formula as follows:

$$D_s = K \times ( T_s + T_r ) + D_{pf}$$

$$D_s = 63 \times ( 0.32 + 0.0165 ) + 3.6 = 24.8 \text{ in}$$

Mount the EZ-SCREEN LPM emitter and receiver so that no part of the defined area will be closer than 24.8 in. to the closest reachable hazard point on the guarded machine.

## Example: European Applications, Model SLPM..14-550

K	= 1600 mm per second
T	= 0.32 (0.250 second specified by machine manufacturer; plus 20% safety factor; plus 20 ms interface module response time), plus 0.0165 seconds (the specified SLPM..14-550 response time)
C	= 8 x (34 - 14) = 160 mm (14 mm resolution, Reduced Resolution ON)

Substitute the numbers into the formula as follows:

$$S = ( K \times T ) + C$$

$$S = ( 1600 \times 0.336 ) + 128 = 665.6 \text{ mm} \\ S = ( 1600 \times 0.3365 ) + 160 = 698.4 \text{ mm}$$

Mount the EZ-SCREEN LPM emitter and receiver so that no part of the defined area will be closer than 698.4 mm to the closest reachable hazard point on the guarded machine.

### 3.1.2 Reducing or Eliminating Pass-Through Hazards

A *pass-through* hazard is associated with applications where personnel may pass through a safeguard (which issues a stop command to remove the hazard), and then continues into the guarded area, such as in perimeter guarding. Subsequently, their presence is no longer detected, and the related danger becomes the unexpected start or restart of the machine while personnel are within the guarded area.

In the use of light screens, a pass-through hazard typically results from large safety distances calculated from long stopping times, large minimum object sensitivities, reach-over, reach-through, or other installation considerations. A pass-through hazard can be generated with as little as 75 mm (3 in) between the defined area and the machine frame or hard (fixed) guarding.

Eliminate or reduce pass-through hazards whenever possible. While it is recommended to eliminate the pass-through hazard altogether, this may not be possible due to machine layout, machine capabilities, or other application considerations.

One solution is to ensure that personnel are continually sensed while within the hazardous area. This can be accomplished by using supplemental safeguarding, such as described by the safety requirements in ANSI B11.19 or other appropriate standards.

An alternative method is to ensure that once the safeguarding device is tripped it will latch and will require a deliberate manual action to reset. This method of safeguarding relies upon the location of the reset switch as well as safe work practices and procedures to prevent an unexpected start or restart of the guarded machine.



#### WARNING: Use of the Banner device for Perimeter Guarding

If a Banner device is installed in an application that results in a pass-through hazard (for example, perimeter guarding), either the Banner device System or the Machine Primary Control Elements (MPCEs) of the guarded machine must cause a Latched response following an interruption of the defined area.

The reset of this Latched condition may only be achieved by actuating a reset switch that is separate from the normal means of machine cycle initiation.

Lockout/Tagout procedures per ANSI Z244.1 may be required, or additional safeguarding, as described by ANSI B11.19 safety requirements or other appropriate standards, must be used if a passthrough hazard cannot be eliminated or reduced to an acceptable level of risk. Failure to observe this warning may result in serious bodily injury or death.

### 3.1.3 Supplemental Safeguarding

As described in *Calculating the Safety Distance (Minimum Distance)* on page 20, the EZ-SCREEN LPM must be properly positioned such that an individual cannot reach through the defined area and access the hazard point before the machine has stopped.

Additionally, the hazard cannot be accessible by reaching around, under, or over the defined area. To accomplish this, supplemental guarding (mechanical barriers, such as screens or bars), as described by ANSI B11.19 safety requirements or other appropriate standards, must be installed. Access will then be possible only through the defined area of the EZ-SCREEN LPM System or through other safeguarding that prevents access to the hazard (see *Figure 11* on page 23).

The mechanical barriers used for this purpose are typically called "hard (fixed) guarding"; there must be no gaps between the hard (fixed) guarding and the defined area. Any openings in the hard (fixed) guarding must comply with the safe opening requirements of ANSI B11.19 or other appropriate standard.

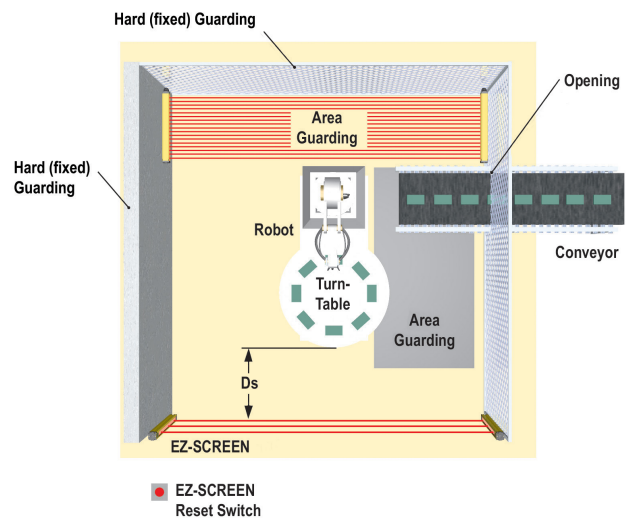


Figure 11. An example of supplemental safeguarding

*Figure 11* on page 23 shows an example of supplemental safeguarding inside a robotic work cell. The EZ-SCREEN LPM, in conjunction with the hard (fixed) guarding, is the primary safeguard. Supplemental safeguarding (such as a horizontal-mounted safety light screen as an area guard) is required in areas that cannot be viewed from the reset switch (for

example, behind the robot and the conveyor). Additional supplemental safeguarding may be required to prevent clearance or trapping hazards (for example, a safety mat as an area guard between the robot, the turntable, and the conveyor).



**WARNING: The Hazard Must Be Accessible Only through the Defined Area**

The installation of the EZ-SCREEN LPM must prevent any individual from reaching around, under, over or through the defined area and into the hazard without being detected. Mechanical barriers (for example, hard (fixed) guarding) or supplemental safeguarding may be required to comply with this requirement, and is described by ANSI B11.19 safety requirements or other appropriate standards.

### 3.1.4 Other Considerations

#### Reset Switch Location

The reset switch must be mounted at a location that complies with the warning and guidelines below. If any hazardous areas are not in view from the switch location, additional means of safeguarding must be provided. The switch should be protected from accidental or unintended actuation (for example, through the use of rings or guards).

A key-actuated reset switch provides some operator or supervisory control, as the key can be removed from the switch and taken into the guarded area. However, this does not prevent unauthorized or inadvertent resets due to spare keys in the possession of others, or additional personnel entering the guarded area unnoticed. When considering where to locate the reset switch, follow the guidelines below.



**WARNING: Reset Switch Location**

When considering where to locate the reset switch, you must follow the guidelines outlined in this section.

If any areas within the guarded area are not visible from the reset switch, additional safeguarding must be provided, as described by the ANSI B11.19 series or other appropriate standards.

Failure to follow these instructions could result in serious injury or death.

All reset switches must be:

- Outside the guarded area
- Located to allow the switch operator a full, unobstructed, view of the entire guarded area while the reset is performed
- Out of reach from within the guarded area
- Protected against unauthorized or inadvertent operation (such as through the use of rings or guards).



**Important:** Resetting a safeguard must not initiate hazardous motion. Safe work procedures require a start-up procedure to be followed and the individual performing the reset to verify that the entire hazardous area is clear of all personnel before each reset of the safeguard is performed. If any area cannot be observed from the reset switch location, additional supplemental safeguarding must be used: at a minimum, visual and audible warnings of machine start-up.

#### Adjacent Reflective Surfaces



**WARNING: Avoid Installation Near Reflective Surfaces**

Avoid locating the defined area near a reflective surface; it could reflect sensing beam(s) around an object or person within the defined area, and prevent its detection by the EZ-SCREEN LPM. Perform the trip test, as described in this manual, to detect such reflection(s) and the resultant optical short circuit. Failure to prevent reflection problems will result in incomplete guarding and could result in serious injury or death.

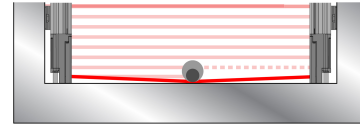
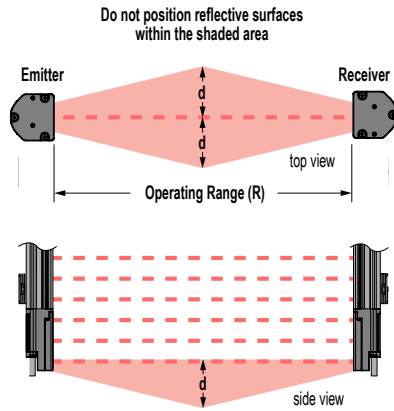
A reflective surface located adjacent to the defined area may deflect one or more beams around an object in the defined area. In the worst case, an "optical short circuit" may occur, allowing an object to pass undetected through the defined area [Figure 12](#) on page 25.

This reflective surface may result from shiny surfaces or glossy paint on the machine, the workpiece, the work surface, the floor, or the walls. Beams deflected by reflective surfaces are discovered by performing the trip test and the periodic checkout procedures. To eliminate problem reflections:

- If possible, relocate the sensors to move the beams away from the reflective surface(s), being careful to maintain adequate separation distance.
- Otherwise, if possible, paint, mask, or roughen the shiny surface to reduce its reflectivity.



- Where these are not possible (as with a shiny workpiece or machine frame), determine the worst-case resolution resulting from the optical short circuit and use the corresponding depth penetration factor (Dpf or C) in the Safety Distance (Minimum Distance) formula; or mount the sensors in such a way that the receiver's field of view and/or the emitter's spread of light are restricted from the reflective surface.
- Repeat the trip test (see [Trip Test](#) on page 42) to verify that these changes have eliminated the problem reflection(s). If the workpiece is especially reflective and comes close to the defined area, perform the trip test with the workpiece in place.



For 0.1 to 3 m (4 in to 10 ft) Operating range:  $d = 0.13$  m (5 in)

For Operating range > 3 m (> 10 ft):  $d = 0.0437 \times R$  (m or ft)

Figure 12. Adjacent Reflective Surfaces

At the midpoint of the defined area, a test piece (represented by the darker circle in [Figure 12](#) on page 25) with the specified system resolution does not cause a blocked condition due to an optical short circuit. Green Zone indicator lights are On and the OSSDs are On. Increasing the size of the test piece to block additional beams will cause a blocked condition. the size of the test piece required to do this will determine the actual resolution. Use the table below to calculate Dpf or Factor "C" when a shiny surface causes an optical short circuit.

Test Piece Model	Resolution	Depth Penetration Factor for U.S. Applications	Factor "C" for European Applications
STP-13	14 mm	24 mm (1 in)	0 mm
STP-2	19 mm	41 mm (1.6 in)	40 mm (1.6 in)
STP-16	25 mm	61 mm (2.5 in)	88 mm (3.5 in)
STP-14	30 mm	78 mm (3 in)	128 mm (5 in)
STP-4	32 mm	85 mm (3.3 in)	144 mm (5.7 in)
STP-17	34 mm	92 mm (3.6 in)	160 mm (6.3 in)
STP-1	38 mm	106 mm (4.2 in)	192 mm (7.6 in)
STP-3	45 mm	129 mm (5 in)	850 mm (33.5 in)
STP-8	51 mm	150 mm (5.9 in)	850 mm (33.5 in)
STP-5	58 mm	173 mm (6.8 in)	850 mm (33.5 in)
STP-15	60 mm	180 mm (7 in)	850 mm (33.5 in)
STP-12	62 mm	187 mm (7.4 in)	850 mm (33.5 in)

### Use of Corner Mirrors

EZ-SCREEN LPM may be used with one or more corner mirrors. The use of glass-surface corner mirrors reduces the maximum specified emitter/receiver separation by approximately 8 percent per mirror, as follows:

Table 1: SSM and MSM Series Glass-Surface Mirrors—Maximum Emitter and Receiver Separation

Number of Corner Mirrors	Max. Emitter / Receiver Separation	Sensor Models
1	6.5 m (21.2 ft)	14 mm or 25 mm Resolution Models with 7 m (23 ft) Range
2	6.0 m (19.5 ft)	
3	5.5 m (18.0 ft)	
4	5.1 m (16.6 ft)	

See the specific mirror data sheet or <http://www.bannerengineering.com> for further information.

Mirrors are not allowed for applications that would allow personnel undetected access into the safeguarded area.

Mirrors are typically used with safety light screens to guard multiple sides of a hazardous area. If the safety light screen is muted, the safeguarding function is suspended on all sides. It must not be possible for an individual to enter the guarded area without being detected and a stop command issued to the machine control. Supplemental safeguarding, such as hard-guards, is normally provided by an additional device(s) that remains active while the Primary Safeguard is muted. Therefore, mirrors are typically not allowed for muting applications.



**WARNING: Guarding Multiple Areas**

DO NOT safeguard multiple areas, with mirrors or multiple sensing fields, if personnel can enter the hazardous area while the System is muted, and not be detected by supplemental safeguarding that will issue a stop command to the machine (see [Reducing or Eliminating Pass-Through Hazards](#) on page 23).

If mirrors are used, the difference between the angle of incidence from the emitter to the mirror and from the mirror to the receiver must be between 45° and 120° (see [Figure 13](#) on page 26). If placed at a sharper angle an object in the light screen may deflect beam(s) to the receiver, preventing the object from being detected ("false proxing"). Angles greater than 120° result in difficult alignment and possible optical short circuits.



**WARNING: Avoid Retroreflective Installation**

Do not install emitters and receivers in "retroreflective" mode, with less than a 45° angle of incidence, as shown. Sensing could be unreliable in this configuration, serious bodily injury or death could result.

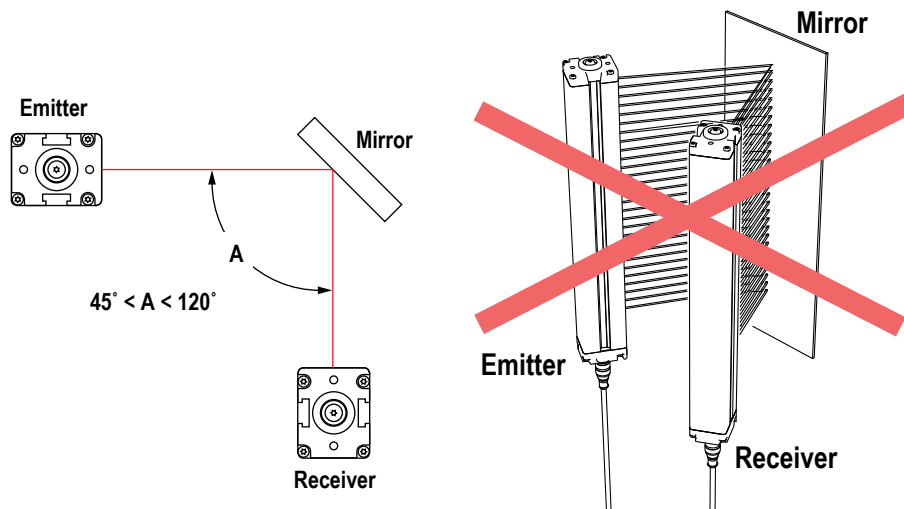


Figure 13. Using EZ-SCREEN LPM sensors in a retroreflective mode

## Emitter and Receiver Orientation

The emitter and receiver must be mounted parallel to each other and aligned in a common plane, with both cable ends pointing in the same direction. Never mount the emitter with its cable end oriented opposite the cable end of the receiver. If this occurs, voids in the light screen may allow objects or personnel to pass through the defined area undetected.

The emitter and receiver may be oriented in a vertical or horizontal plane, or at any angle between horizontal and vertical, as long as they are parallel and their cable ends point in the same direction. Verify that the light screen completely covers all access to the hazard point that is not already protected by hard (fixed) guarding or other supplemental guarding.



### WARNING: Proper Orientation of System Emitters and Receivers

EZ-SCREEN LPM emitters and receivers must be installed with their corresponding cabled ends pointing in the same direction (for example, both cabled ends facing up). Failure to orient them properly will impair the performance of the EZ-SCREEN LPM System and will result in incomplete guarding, and could result in serious bodily injury or death.

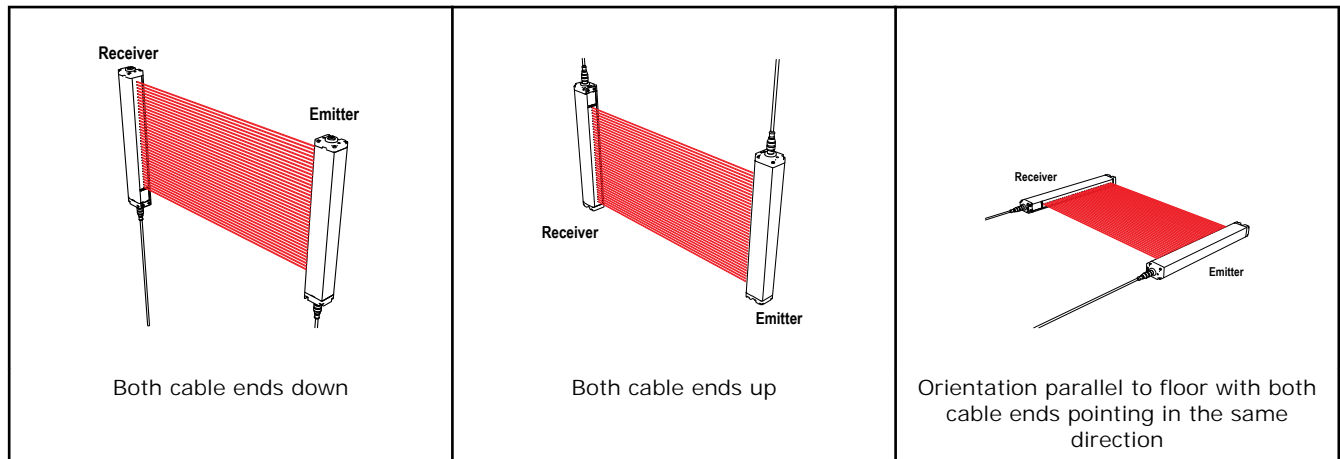


Figure 14. Examples of Correct Emitter/Receiver Orientation

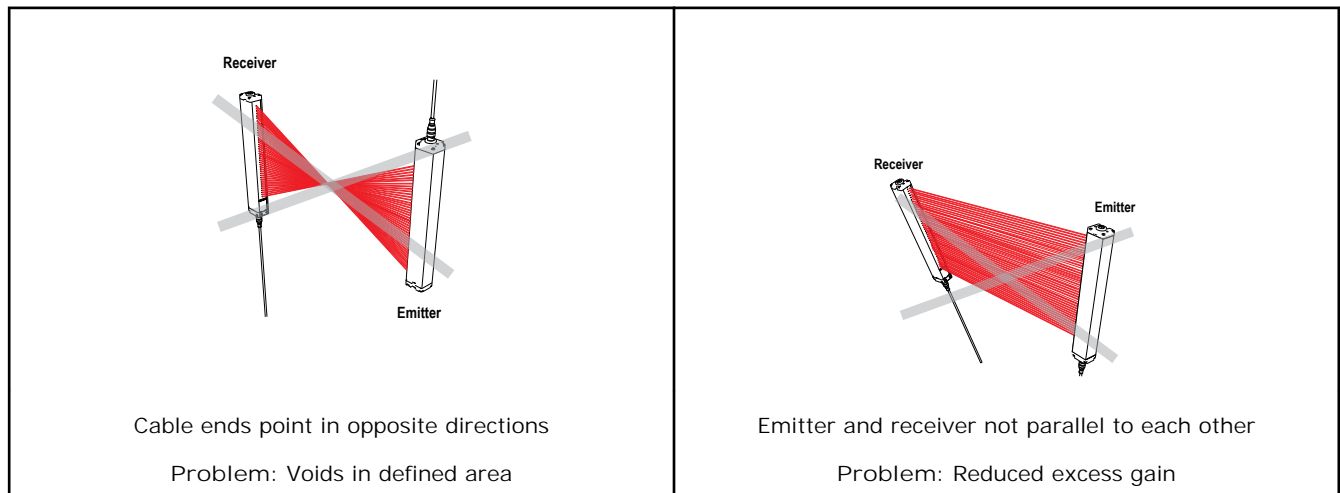


Figure 15. Examples of Incorrect Emitter/Receiver Orientation

## Installation of Multiple Systems

Whenever two or more EZ-SCREEN LPM emitter and receiver pairs are adjacent to one another, optical crosstalk may take place between systems. To minimize optical crosstalk, alternate the positions of the emitters and receivers (see [Figure 16](#) on page 28).

When three or more systems are installed in the same plane (as shown in *Figure 16* on page 28), optical crosstalk may occur between sensor pairs whose emitter and receiver lenses are oriented in the same direction. In this situation, eliminate optical crosstalk by mounting these sensor pairs exactly in line with each other within one plane, or by adding a mechanical barrier between the pairs.

To further aid in avoiding crosstalk, the sensors feature two selectable scan codes. A receiver set to one scan code will not "see" an emitter set to another code.

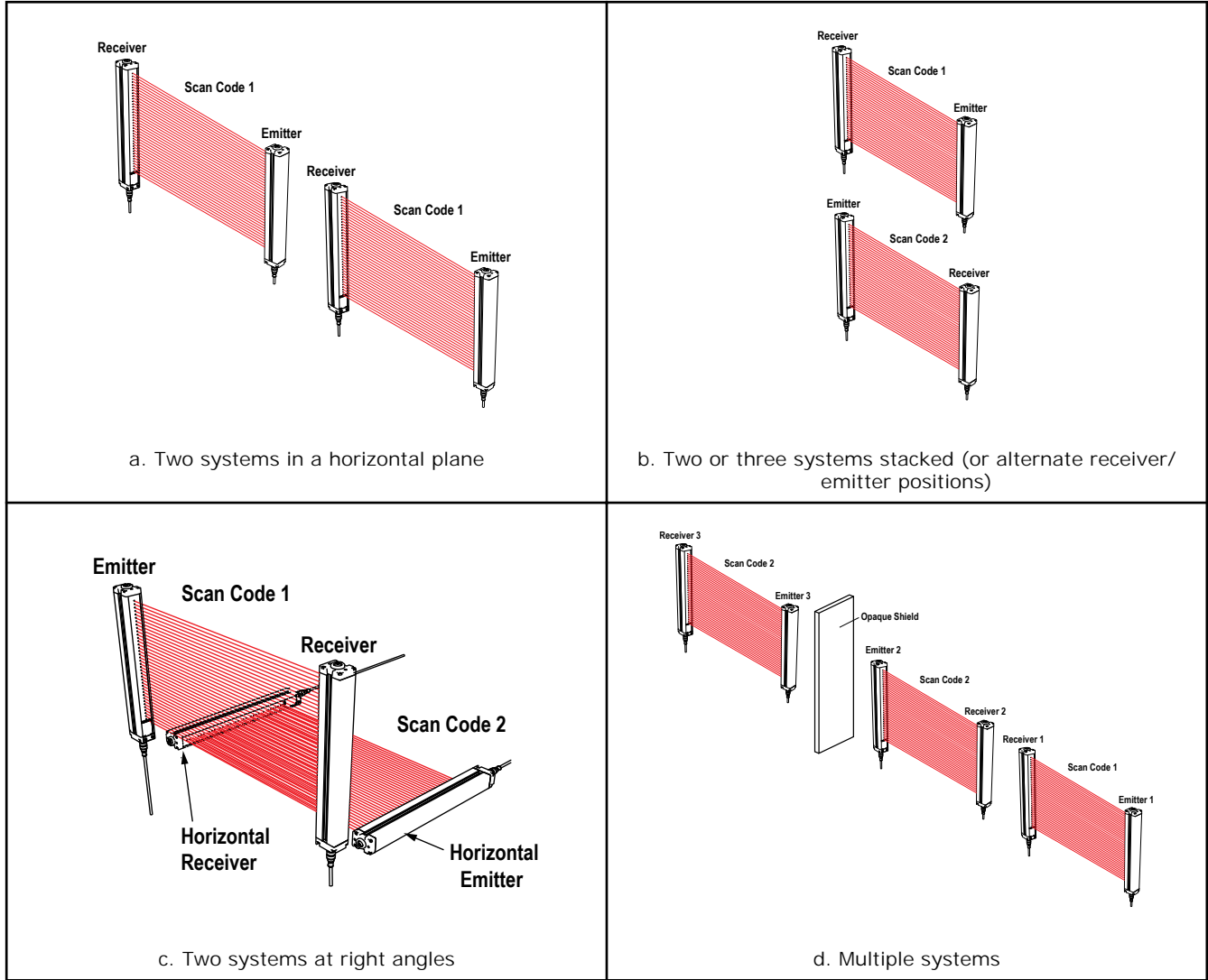


Figure 16. Installation of Multiple Systems



**WARNING: Scan Code**

In situations where multiple systems are mounted closely together, or where a secondary emitter is in view (within  $\pm 5^\circ$ ) and within range of an adjacent receiver, the adjacent systems must be configured for different Scan Codes (one system set for Scan Code 1 and the other for Scan Code 2). If not, a receiver may synchronize to the signal from the wrong emitter, reducing the safety function of the light screen. This situation is discovered by performing the trip test.

## 3.2 Mounting System Components

### 3.2.1 Overview of Emitter/Receiver Mounting Hardware

#### Mounting Hardware

Emitter/receiver pairs can be spaced from 0.1 m to 7 m (4 in to 23 ft) apart. This distance is reduced if corner mirrors are used.

Each sensor is shipped with two end-cap brackets and at least two side-mount brackets. The supplied end-cap brackets allow 360° rotation. Side-mount brackets allow 30° rotation in one direction, and 10° in the other (see [Mounting the End-Cap Brackets](#) and [Mounting Side-Mount Brackets](#)). Sidemount brackets may be mounted on either or both sides of the housing. If additional rotation is required, see the available accessory brackets.

Center mounting brackets must be used with longer sensors, if they are subject to shock or vibration. In such situations, the sensors are designed to be mounted with up to 690 mm unsupported distance (between brackets). Sensors 830 mm and longer are supplied with one or more additional side brackets for center-mounting.

#### Mounting the End-Cap Brackets

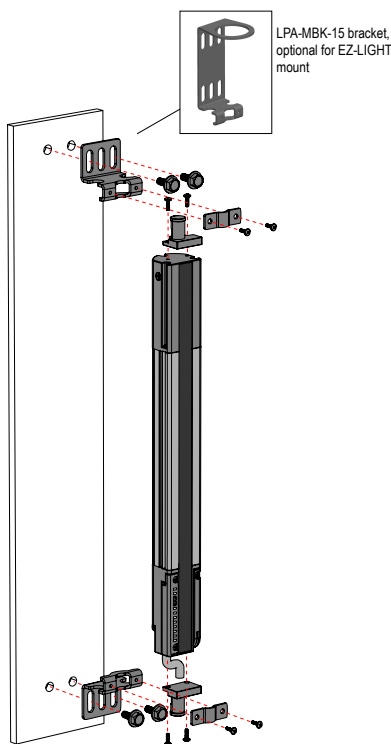


Figure 17. End-Mount Brackets

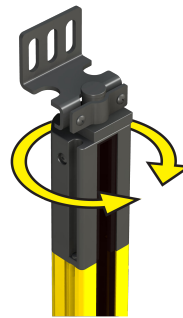


Figure 18. 360° Rotation

#### NOTE:

- 2 brackets are supplied with each emitter and receiver.
- Brackets are designed to mount directly to MSA Series stands using the hardware supplied with the stands.
- See [Figure 23](#) on page 34 [Accessory Mounting Brackets](#) on page 85 for mounting bracket dimensions.

1. From a common point of reference (ensuring the calculated minimum safety distance), measure to locate the emitter and receiver in the same plane, with their midpoints directly opposite each other. Important: The connector ends of both sensors must point in the same direction (see [Figure 14](#) on page 27). Loosely mount the brackets to the desired surface, using the supplied M5 bolts and nuts, or user-supplied hardware. Brackets may face “in” or “out,” as desired.
2. Attach the end-cap bracket plate to each end of the sensor, using the supplied M3x6 screws.
3. Position the emitter and receiver in their brackets, as shown in [Figure 14](#) on page 27. Loosely attach the front bracket plate to the bracket, at each end.

4. Verify that the sensor windows directly face each other. Measure from a reference plane, for example, a level building floor to the same point(s) on the emitter and receiver to verify their mechanical alignment. Use a carpenter's level, a plumb bob, or the optional LAT-1 Laser Alignment Tool (see [Alignment Aids](#) on page 86) or check the diagonal distances between the sensors, to achieve mechanical alignment.
5. Tighten all fasteners.

### Mounting the Side-Mount Brackets

1. From a common point of reference (ensuring the calculated minimum safety distance), measure to locate the emitter and receiver in the same plane, with their midpoints directly opposite each other. Important: The connector ends of both sensors must point in the same direction (see [Figure 14](#) on page 27). Mount the emitter and receiver mounting brackets to the desired surface, using the supplied M5 bolts and nuts or user-supplied hardware.
2. Attach the 2-piece clamp to the sensor housing side channels (either side of the housing) at the appropriate locations, using the supplied M3x6 screws.
3. Attach the clamp to the bracket, using the supplied M3 screws.
4. Position the emitter and receiver windows directly facing each other. Measure from a reference plane (e.g., a level building floor) to the same point(s) on the emitter and receiver to verify their mechanical alignment. Use a carpenter's level, a plumb bob, or the optional LAT-1 Laser Alignment Tool (see [Alignment Aids](#) on page 86) or check the diagonal distances between the sensors, to achieve mechanical alignment. Final alignment procedures are explained in [Initial Checkout Procedure](#) on page 36.
5. Tighten all fasteners.

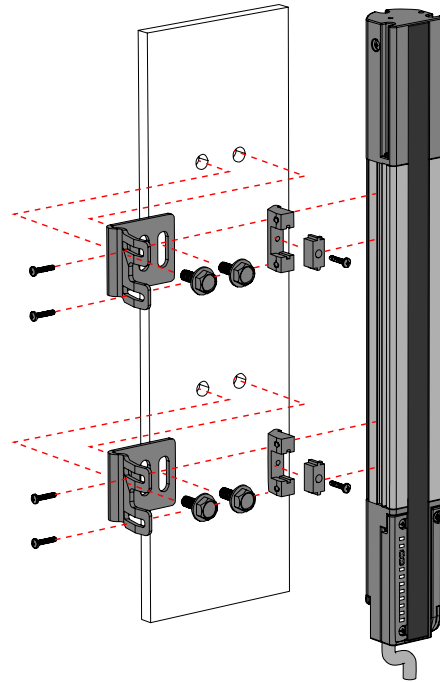
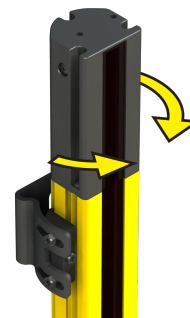


Figure 19. Side-Mount Brackets

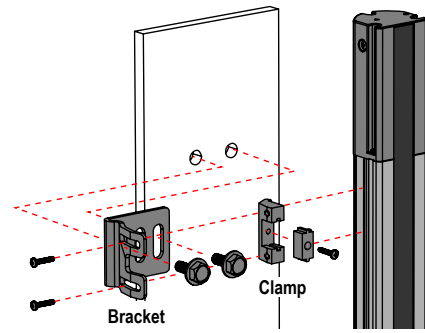
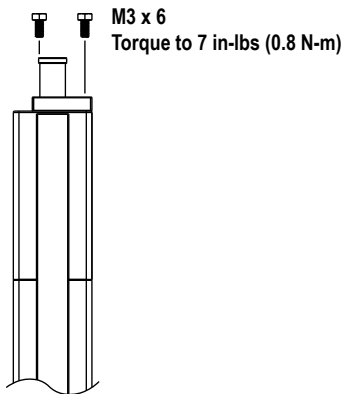
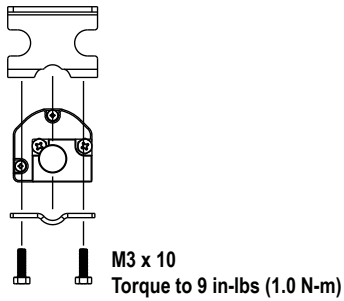
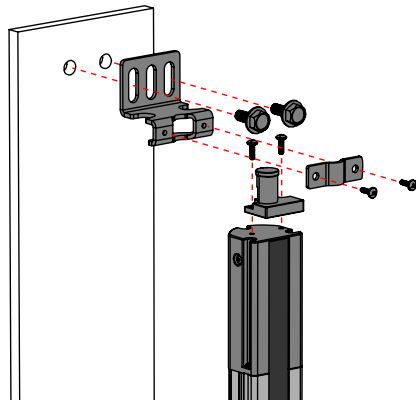
#### Notes:

- 2 side-mount brackets or more are supplied with each emitter and receiver. (Emitters and Receivers 830 mm and longer also include an additional side-mount bracket for center support; sensors 1390 mm and longer include an additional 2 side-mount brackets.)
- Sensors are designed to be mounted with up to 690 mm unsupported distance between brackets.

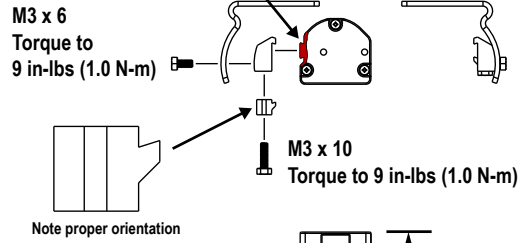


### Bracket Assembly Instructions

The screwdriver provided with the EZ-SCREEN LPM is intended for access to the DIP switches and for preassembly of the mounting brackets. Final assembly (tightening) of the mounting bracket should be accomplished with a #1 Phillips screwdriver or 3/16" / 5 mm "thin-walled" nut driver to achieve the listed torque specifications. Sensors may be mounted with side-mount brackets, end-mount brackets, or a combination of both.



Ensure that clamp assembly is fully seated onto "dovetail" feature on side of housing



Side brackets must be used with longer sensors, if they are subject to shock or vibration. In such situations, the sensors are designed to be mounted with up to 690 mm unsupported distance (between brackets). Sensors 830 mm and longer are supplied with one or more additional side brackets for center-mounting (see manual, Section 3.2.1).

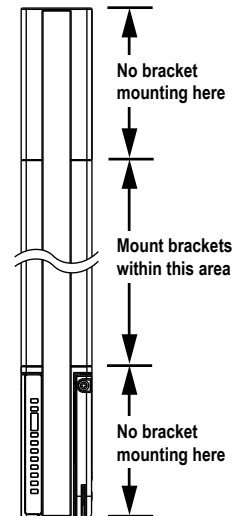


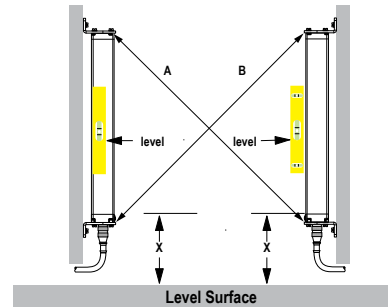
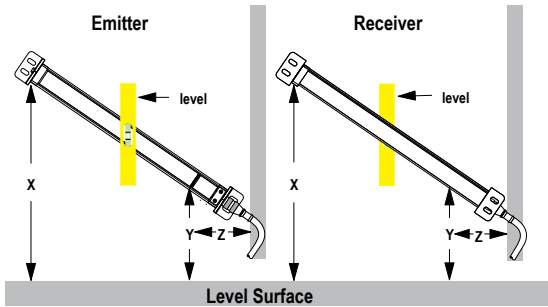
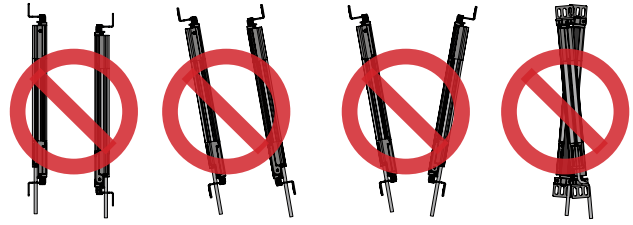
Figure 21. Side-mount hardware attachment

Figure 20. End-mount hardware attachment

### 3.2.2 Sensor Mounting and Mechanical Alignment

Verify that:

- The emitter and receiver are directly opposite each other.
- Nothing is interrupting the defined area.
- The defined area (marked on the sensors) is the same distance from a common reference plane for each sensor.
- The emitter and receiver are in the same plane and are level/plumb and square to each other (vertical, horizontal, or inclined at the same angle, and not tilted front-to-back or side-to-side).



Angled or Horizontal Installations – verify that:

- Distance X at the emitter and receiver are equal
- Distance Y at the emitter and receiver are equal
- Distance Z at the emitter and receiver are equal from parallel surfaces
- Vertical face (the window) is level/plumb
- Defined area is square. Check diagonal measurements if possible; see Vertical Installations, on the right.

Vertical Installations – verify that:

- Distance X at the emitter and receiver are equal
- Both sensors are level/plumb (check both the side and face)
- Defined area is square. Check diagonal measurements if possible (Diagonal A = Diagonal B).



### 3.2.3 Mounting Dimensions and Defined Area

All measurements are listed in millimeters (inches).

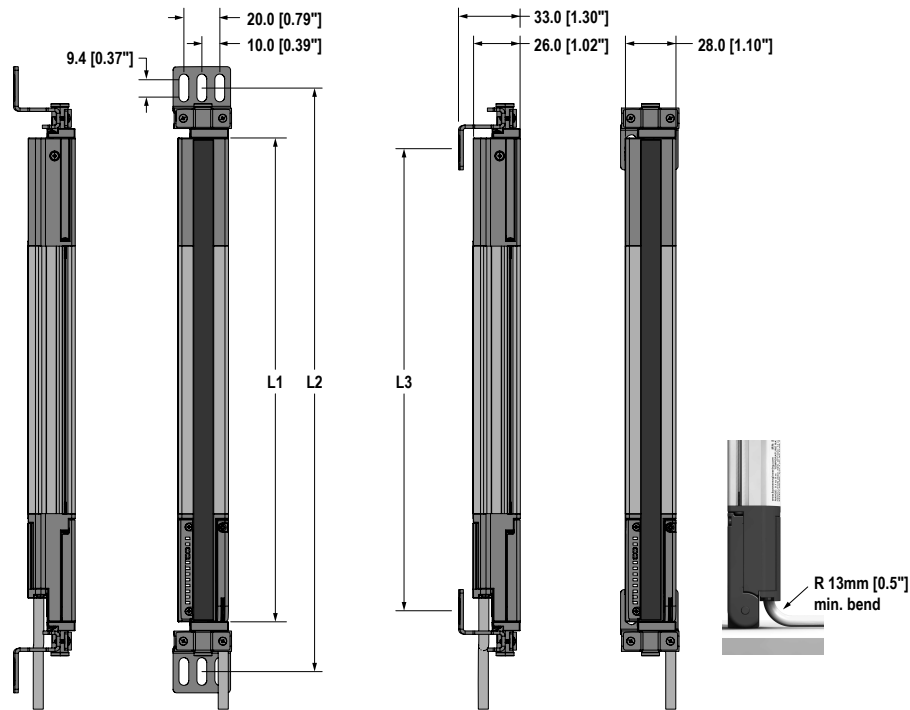


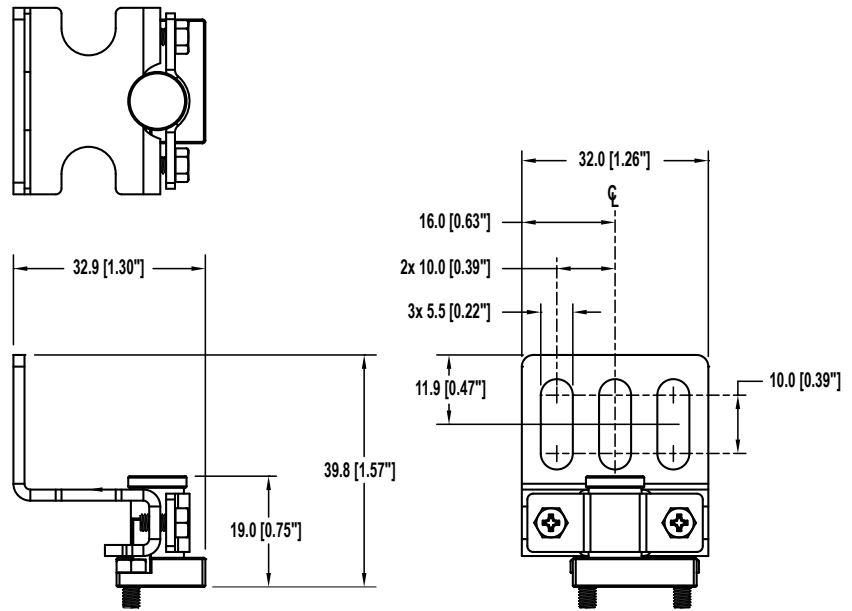
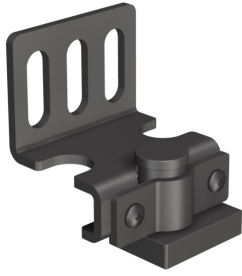
Figure 22. Emitter and receiver mounting dimensions and defined area

Emitter / Receiver Model	Housing Length		Distance Between Bracket Holes		Defined Area <sup>2</sup>
	L1	L2	L3		
SLPM...-410..	410 mm (16.1 in)	465 mm (18.3 in)	398 mm (15.7 in)		410 mm
SLPM...-550..	549 mm (21.6 in)	605 mm (23.8 in)	537 mm (21.1 in)		550 mm
SLPM...-690..	689 mm (27.1 in)	745 mm (29.3 in)	677 mm (26.7 in)		690 mm
SLPM...-830..	829 mm (32.6 in)	885 mm (34.8 in)	817 mm (32.2 in)		830 mm
SLPM...-970..	969 mm (38.1 in)	1024 mm (40.3 in)	957 mm (37.7 in)		970 mm
SLPM...-1110..	1108 mm (43.6 in)	1164 mm (45.8 in)	1096 mm (43.1 in)		1110 mm
SLPM...-1250..	1248 mm (49.1 in)	1304 mm (51.3 in)	1236 mm (48.7 in)		1250 mm
SLPM...-1390..	1388 mm (54.6 in)	1444 mm (56.9 in)	1376 mm (54.2 in)		1390 mm
SLPM...-1530..	1528 mm (60.2 in)	1583 mm (62.3 in)	1516 mm (59.7 in)		1530 mm
SLPM...-1670..	1667 mm (65.6 in)	1723 mm (67.8 in)	1655 mm (65.2 in)		1670 mm
SLPM...-1810..	1807 mm (71.1 in)	1863 mm (73.3 in)	1795 mm (70.7 in)		1810 mm

<sup>2</sup> Nominal measurement

End-Cap Brackets

LPA-MBK-11



Side-Mount Bracket

LPA-MBK-12

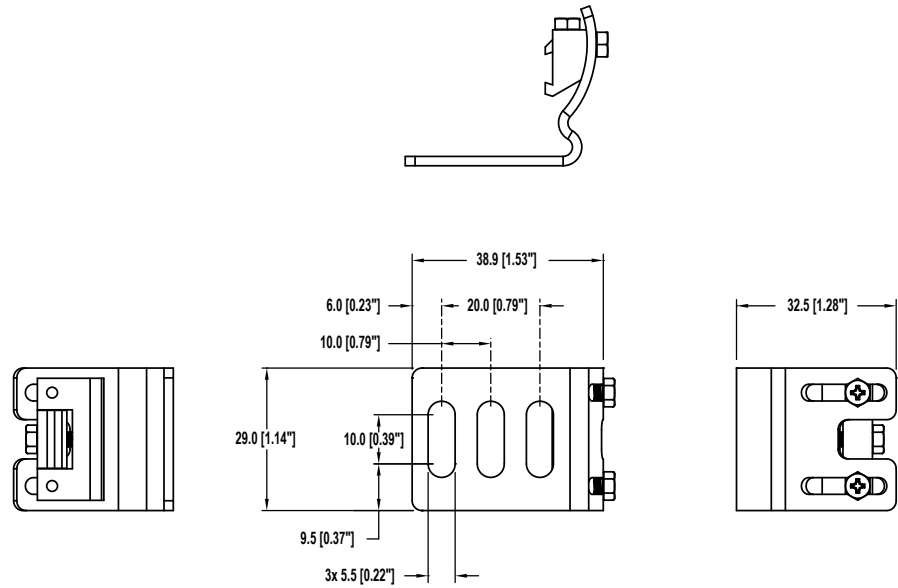
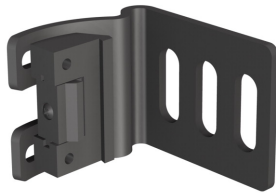


Figure 23. Included mounting bracket dimensions (for emitter or receiver)

## 4 Electrical Installation and Testing

As with the previous section, it is important that you read, understand and follow the electrical installation and testing procedure as described in the following subsections.



### WARNING: Read this Section Carefully Before Installing the System

If all mounting, installation, interfacing, and checkout procedures are not followed properly, the Banner device cannot provide the protection for which it was designed. The user has the responsibility to ensure that all local, state, and national laws, rules, codes, or regulations relating to the installation and use of this control system in any particular application are satisfied. Ensure that all legal requirements have been met and that all technical installation and maintenance instructions contained in this manual are followed.

The user has the sole responsibility to ensure that this Banner device is installed and interfaced to the guarded machine by Qualified Persons, in accordance with this manual and applicable safety regulations.

The following are the main steps to electrically install the EZ-SCREEN LPM components and interface with the guarded machine:

- Routing cordsets and making initial electrical connections (see [Routing Cordsets](#) on page 35 and [Initial Electrical Connections](#) on page 36).
- Apply power to each emitter/receiver pair (see [Initial Electrical Connections](#) on page 36).
- Perform an Initial Checkout Procedure (see [Initial Checkout Procedure](#) on page 36).
- Make all electrical interface connections to the guarded machine (see [Electrical Connections to the Guarded Machine](#) on page 43).
- Perform a commissioning checkout procedure (see [Commissioning Checkout](#) on page 46).

### 4.1 Routing Cordsets

Attach the required cordsets to the sensors, and route the sensor cables to the junction box, electrical panel, or other enclosure in which the interface module, the redundant mechanically linked interposing relays, FSDs, or other safety-related parts of the control system are located. This must be done per local wiring code for low-voltage dc control cables and may require installation of electrical conduit. See [Cordsets](#) on page 75 for selection of Banner supplied cables.



NOTE: The machine interface cable must connect to the sensor end adjacent to the indicators, in order for the System to operate properly.

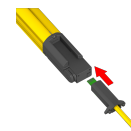
EZ-SCREEN LPM is designed and manufactured to be highly resistant to electrical noise and to operate reliably in industrial settings. However, extreme electrical noise may cause a random Trip or Latch condition; in extreme cases, a Lockout is possible.

Emitter and receiver wiring is low voltage; routing the sensor wires alongside power wires, motor/servo wires, or other high voltage wiring may inject noise into the EZ-SCREEN LPM System. It is good wiring practice, and sometimes may be required by code, to isolate emitter and receiver cables from high-voltage wires, avoid routing cables close to “noisy” wiring, and provide a good connection to earth ground.

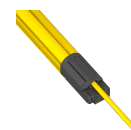
Sensor cabling and any interconnect wiring should have an insulation temperature rating of at least 90°C (194°F).

For SLP..... sensors:

1. Slide RD connector firmly into housing's RD port. (Ensure rectangular gasket is installed.)



2. Tighten Phillips screws at base of connector to lock into place.



## 4.2 Initial Electrical Connections



### WARNING: Proper Electrical Hookup

Electrical hookup must be made by Qualified Personnel and must comply with NEC (National Electrical Code) and local standards. Make no more connections to the EZ-SCREEN LPM System than are described in this manual. Connection of other wiring or equipment to the EZ-SCREEN LPM System could result in serious bodily injury or death.

Lockout/tagout procedures may be required (refer to OSHA1910.147, ANSI Z244-1, ISO 14118, or the appropriate standard for controlling hazardous energy). Following relevant electrical standards and wiring codes, such as the NEC, NFPA79 or IEC60204-1, always connect the earth ground (green/yellow wire). Do not operate the EZ-SCREEN LPM without an earth ground connection.

Make the electrical connections in the order described in this section. Do not remove end-caps; no internal connections are to be made. All connections are made through the RD or pigtail QD connections.

#### Emitter Cordset

EZ-SCREEN LPM emitters have an 8-pin cordset, but not all conductors are used.

#### Receiver Cordset

Do not connect any wires to the machine control circuits (that is, OSSD outputs) at this time. For the initial power-up and checkout, EDM must be disabled. Locate the orange wire (pin 9) and temporarily connect the end of the wire to +24 Vdc (brown wire pin 2), but not to the machine at this time. Take precautions to prevent the wires from shorting to ground or to other sources of energy (for example, terminate with the included wire-nut). Final EDM wiring must be completed later.

If used, connect the external reset switch to the reset wire (violet, pin 12) on the receiver cable and to 24V dc (see [Generic Emitter Wiring Diagram](#) on page 49). See warning in [Reset Switch Location](#) on page 24 about the physical location of the reset switch. The reset switch must be a normally open switch that is held closed for approximately 1/4 second, but no longer than 2 seconds, and then re-opened to accomplish the reset. The switch must be capable of switching 10 to 30V dc at 30 mA.

Maximum Machine Interface Cordset Length <sup>3</sup>					
Total Load Current (OSSD 1 + OSSD 2 + Aux Out) in Amps					
0.1	0.25	0.5	0.75	1.0	1.25
73 m (240 ft)	53 m (175 ft)	37 m (120 ft)	28 m (91 ft)	23 m (75 ft)	19 m (62 ft)



NOTE: Emitter and receiver power (current) requirements are accounted for. The above values represent additional current draw that must be accounted for.



NOTE: Maximum cable lengths are intended to ensure that adequate power is available to the EZ-SCREEN LPM Receiver when the supply is operating at +24V dc - 15%

## 4.3 Initial Checkout Procedure

The initial checkout procedure must be performed by a Qualified Person. It must be performed only after configuring the System and after connecting the emitter and receiver.

The procedure is performed on two occasions:

- To ensure proper installation when the System is first installed
- To ensure proper System function whenever any maintenance or modification is performed on the System or on the machinery that is guarded by the System.

### 4.3.1 Configuring the System for Initial Checkout

Verify that the emitter and receiver both are set to the factory defaults for initial checkout and optical alignment. (Receiver factory defaults are for trip output, reduced resolution OFF, aux output, inverted display OFF, and scan code 1. Emitter factory defaults are for reset, fault output OFF, inverted display OFF, and scan code 1.

<sup>3</sup> RDLP-12..E or QDE-12..E model cordsets.

For the initial checkout, the EZ-SCREEN LPM System must be checked without power available to the guarded machine. Final interface connections to the guarded machine cannot take place until the light screen system has been checked out. This may require lockout/tagout procedures (refer to OSHA1910.147, ANSI Z244-1, ISO 14118, or the appropriate standard for controlling hazardous energy). These connections will be made after the initial checkout procedure has been successfully completed.

Verify that:

- Power has been removed from (or is not available to) the guarded machine and its controls or actuators
- The machine control circuit or the Interface Module is not connected to the OSSD outputs at this time (permanent connections will be made later)
- EDM is configured for *no monitoring*

### 4.3.2 Initial Power-Up

1. Inspect the area near the light screen for reflective surfaces, including work pieces and the guarded machine. Reflective surfaces may cause light beams to reflect around a person in the light screen, preventing the person from being detected and not stopping the machine motion (see [Adjacent Reflective Surfaces](#) on page 24).
2. Eliminate the reflective surfaces as much possible by relocating, painting, masking, or roughening them. Remaining problem reflections will become apparent during the trip test.
3. Verify that power is removed from the EZ-SCREEN LPM System and from the guarded machine and that the OSSD safety outputs are not connected.
4. Remove all obstructions from the light screen.
5. Leaving power to the guarded machine Off, make power and earth ground connections on both the emitter and receiver cables (see [Generic Emitter Wiring Diagram](#) on page 49).
6. Power up the EZ-SCREEN LPM System only.
7. Verify that the input power is present to both the emitter and the receiver. At least one indicator on both the emitter and the receiver should be On and the start-up sequence should cycle.
8. Watch both the emitter and the receiver Status indicators, 7-segment displays, and the receiver Zone indicators to determine the light screen alignment status. Refer to [Status Indicators](#) on page 10. If in a lockout condition, proceed to [Troubleshooting and Maintenance](#) on page 58. If not in a lockout condition, proceed to [Optical Alignment](#) on page 37.
  - Lockout Condition —the emitter Status indicator is single-flashing Red; the receiver Status indicator is On Red, and the 7-segment display reads CH1.
  - Receiver Lockout Condition —the receiver Status indicator is single-flashing Red, with Zone and Reset indicators Off; the receiver 7-segment display shows an Error Code.
  - Normal Operating Mode (emitter)—The Status indicator is On Green.
  - Receiver Latch Condition, all optical beams clear —the receiver Status indicator is On Red and the Reset indicator double-flashing Yellow; Zone indicators On Green. When the receiver is configured for Latch Output, the outputs are On only when all beams are clear and after a manual reset. If a reset routine can cause a Clear (Run) condition, optimize the alignment as described in the following section. If a Clear (Run) condition cannot be achieved, see "Blocked condition" below.
  - Clear (Run) Condition (receiver)—The Status indicator is On Green (or flashing Green if reduced resolution is enabled), and the Reset indicator is On Yellow. All Zone indicators are On Green.
  - A Blocked Condition (receiver)—The Status indicator is On Red, the yellow Reset indicator is On, one or more Zone indicator(s) are On Red, identifying the location of the blocked beams, and the number of blocked beams is displayed. Proceed to [Optical Alignment](#) on page 37.



NOTE: If beam 1 is blocked, Zone indicator 1 is Red and all others are Off. Beam 1 provides the synchronization signal.



NOTE: If the emitter Test input is open (when enabled), the receiver's 7-segment Display will indicate the total number of beams in the system (minus one) and all Zone indicators will be Red.



NOTE: If the emitter Test input is open (when enabled), the receiver's 7-segment Display will indicate the total number of beams in the system (minus one) and all Zone indicators will be Red.

See [Figure 3](#) on page 10 and [Figure 4](#) on page 11 for indicator and display information.

### 4.3.3 Optical Alignment



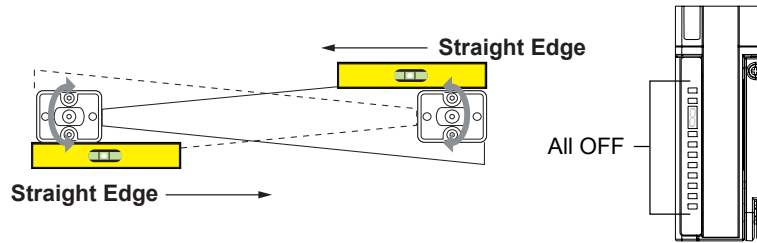
CAUTION: Ensure that no individuals are exposed to any hazard if the OSSD outputs turn ON when the emitter and receiver become aligned.

Verify the sensor mounting, see [Mounting System Components](#) on page 29.

Verify that the mute devices are not signaling a mute condition (M1 and M2 inputs are open).

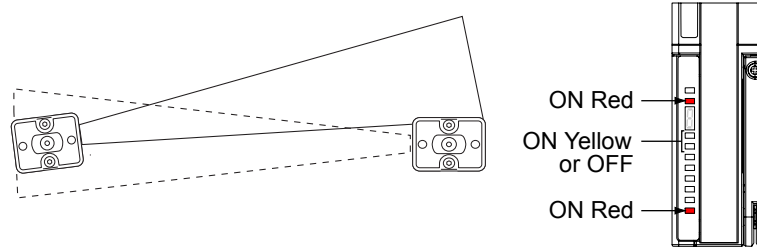
Verify the optimal alignment, adjusting sensor rotation with power On:

1. Verify that the emitter and the receiver are pointed squarely at each other. Use a straight edge (for example, a level) to determine the direction the sensor is facing. The sensor face must be perpendicular to the optical axis.

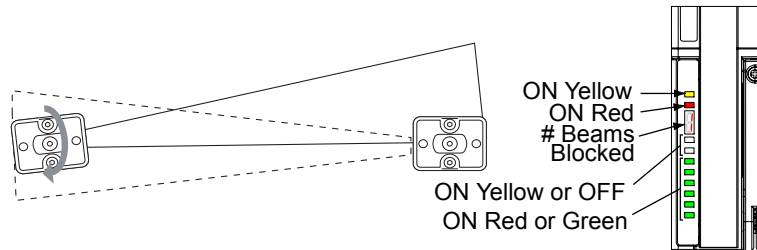


**NOTE:** At power-up, all indicators are tested (flash), then the Scan Code and Mute Configuration are alternately displayed.

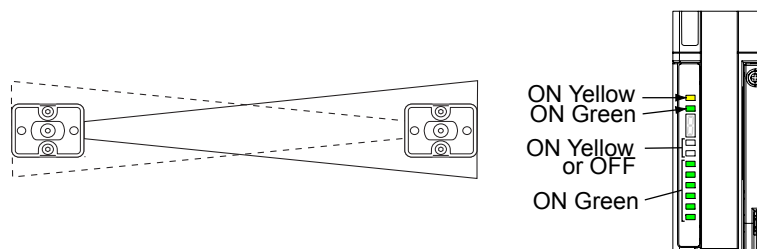
2. Turn On power to emitter and receiver. If the Channel #1 beam is not aligned, the Status and Zone 1 indicators are Red, the Reset indicator is OFF, and the 7-segment display sequentially indicates CH1. Zone indicators 2-6 will be Off.



3. If the Green Status and Yellow Reset indicators are On, go to the next step. If not, rotate each sensor (one at a time) left and right until the Green Status indicator is ON. (As the sensor rotates out of alignment, the Red Status indicator turns On steady). As more beams are aligned, the Zone indicators turn from Red to Green and the number of blocked beam indicators decreases.



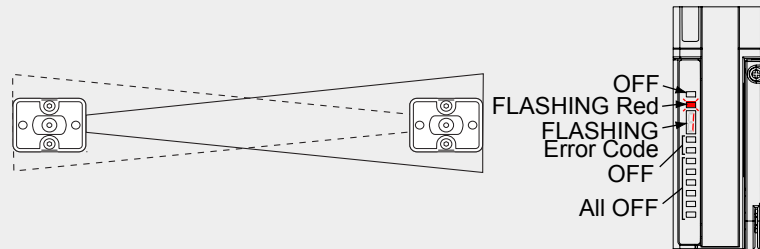
4. To optimize alignment and maximize excess gain, slightly loosen the sensor mounting screws and rotate one sensor left and right, noting the positions in each arc where the Status indicators turn Red (Blocked condition); repeat with the other sensor. Center each sensor between those two positions and tighten the mounting screws, making sure to maintain the positioning as the screws are tightened.



For situations where alignment is difficult, a LAT-1-LP Laser Alignment Tool can be used to assist or confirm alignment by providing a visible red dot along the sensor's optical axis.



NOTE: If at any time the Red Status indicator begins to flash steadily, the System has entered a Lockout condition. See [Troubleshooting and Lockout Conditions](#) on page 58 for further information.



#### 4.3.4 Optical Alignment Procedure with Mirrors

EZ-SCREEN LPM sensors may be used with one or more corner mirrors for guarding more than one side of an area. The MSM-... and SSM-... rear-surface glass mirrors are rated at 85% efficiency. Thus, excess gain and sensing range are reduced when using mirrors; see [Use of Corner Mirrors](#) on page 25.

In addition to the standard optical alignment procedure, verify:

1. That the emitter, receiver, and all mirrors are level and plumb.
2. The middle of the defined area and the center point of the mirrors are approximately the same distance from a common reference point, such as the same height above a level floor. Ensure that there are equal amounts of mirror surface above and below the defined area such that the optical beams are not passing below or above the mirror.

During any adjustments, allow only one individual to adjust any one item at any one time.



NOTE: A LAT-1-LP Laser Alignment Tool is very helpful by providing a visible red dot along the optical axis. See [Figure 24](#) on page 39 and Banner Safety Applications Note SA104 (p/n 57477) for further information.

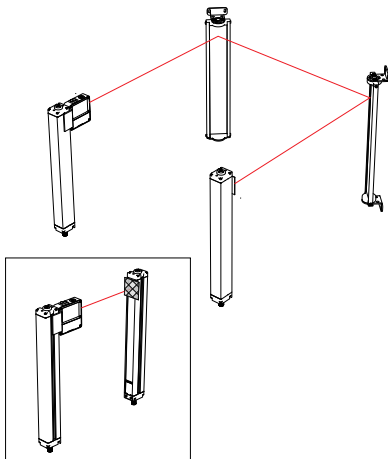


Figure 24. Optical alignment using the LAT-1-LP

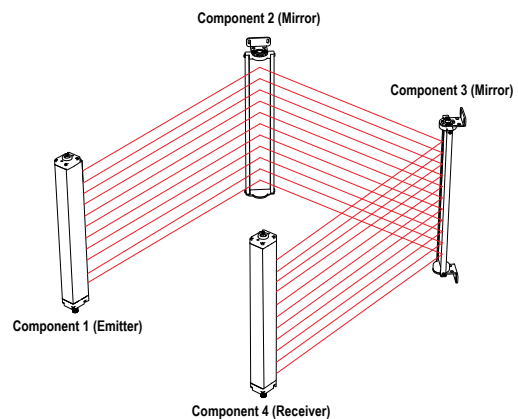


Figure 25. Corner Mirror Alignment

#### 4.3.5 Mute Configuration

1. From either normal operation or a power OFF condition, set the first and fourth DIP switches (T/L and the second Red Res) both to the left (Trip operation and Reduced Resolution On positions). See [System Configuration Settings](#) on page 53.
2. Set the second and third DIP switches (Red Res and the second T/L) both to the right (Reduced Resolution Off and Latch positions).

3. The receiver should now either be in a lockout condition or power is still OFF.
4. If power is Off: Apply power. The receiver display should now alternate between the Scan Code (C1 or C2) and the mute configuration option currently set (01-08, factory default is 06). It will do this for three cycles, then display only the mute configuration option (1-8). A corresponding number of green indicators will match the number shown on the display. The Status indicator will be red, and all other indicators will be off.

If the receiver had been in normal operation in step 1: perform a system reset as described in [Emitter and Receiver Reset](#) on page 58. The receiver display should now show the mute configuration option currently set (1-8, factory default is 6). A corresponding number of green indicators will match the number shown on the display. The Status indicator will be red, and all other indicators will be off.

5. Select the desired mute configuration option:
  - Toggling the Invert Display switch will sequence through the mute configuration options. The initial Invert switch setting does not matter.
  - For the Invert switch setting shown below (Invert Display off), move the switch to the left, then back to the right (original setting). The mute configuration will sequence to the next option. The display and number of green indicators will change accordingly. Repeat this until the desired mute configuration option is reached.
6. When the desired mute configuration option is reached, lock in the mute configuration by setting the DIP switches for normal operation (see [System Configuration Settings](#) on page 53 and [Figure 34](#) on page 53).



NOTE: 10 minutes is allowed for setting the mute configuration before a lockout condition will occur. See [Receiver Error Codes](#) on page 59.

7. Perform a valid reset sequence or cycle power.

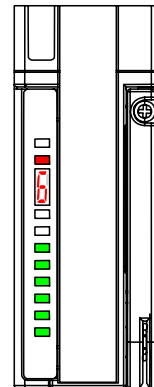


Figure 26. DIP switch settings to program mute configuration options

### 4.3.6 Reduced Resolution (Floating Blanking)

Reduced resolution allows objects of a certain maximum size to interrupt the defined area without causing a Trip condition (that is, the OSSDs turn Off). Use Reduced Resolution only when necessary. In reduced resolution applications, the safety (minimum) distance always increases due to the larger depth penetration factor (Dpf). In either case, see [Calculating the Safety Distance \(Minimum Distance\)](#) on page 20 to determine safety distance.

With 2-beam reduced resolution enabled, any two consecutive beams (except for the sync beam), can be blocked without causing a stop condition. Thus, multiple "holes" are created in which 14 mm systems will detect a 34 mm object and ignore a 16 mm object. Similarly, 25 mm sensors will detect a 65 mm object and ignore a 36 mm object. See [Figure 34](#) on page 53 for DIP-switch configuration. During operation, the Status indicator flashes Green when reduced resolution is enabled.



**WARNING:** Use of Reduced Resolution and Fixed Blanking

Use Reduced Resolution and Fixed Blanking only when necessary. Any holes created in the defined area either must be completely filled by the blanked object or the safety (minimum) distance must be increased to account for the larger resolution.



Model	Reduced Resolution Setting	Maximum Size of Undetected Objects	Resulting Resolution
14 mm Resolution	Off	(Not Applicable)	14 mm (0.55 mm)
	On (2-beam)	16 mm (0.63 mm)	34 mm (1.34 mm)
25 mm Resolution	Off	(Not Applicable)	25 mm (0.98 mm)
	On (2-beam)	36 mm (1.42 mm)	65 mm (2.56 mm)

### 4.3.7 Fixed Blanking

Fixed blanking is available to, in effect, “disable” beams that would otherwise be continually blocked by a stationary object. One or multiple areas within an EZ-SCREEN LPM sensor pair may be “blanked out,” with a minimum of one beam between two blanked areas. Any beam other than the sync beam may be blanked. All beams of a fixed blanked area must remain blocked during operation in order for the OSSDs to stay ON.

#### Fixed Blanking Configuration

- From either normal operation or a power Off condition, set the first and second DIP switches (T/L and Red Res) both to the left (Trip operation and Reduced Resolution enabled positions). See [System Configuration Settings](#) on page 53.
- Set the third and fourth DIP switches (the second T/L and Red Res) both to the right (Latch operation and Reduced Resolution Off positions).

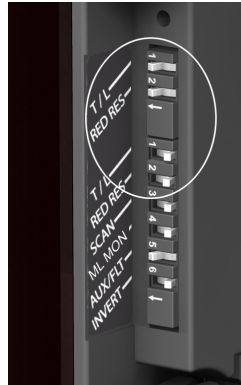


Figure 27. DIP switch configuration to teach fixed blanking

- The receiver should now either be in a lockout condition or power is still Off.
- If power is Off: Apply power.

In a lockout condition: Perform a valid reset sequence (close the reset switch for 1/4 to 2 seconds, then reopen it).

- Fixed Blanking configuration indicated by:
  - Display sequentially displays “PFA” (program fixed blanking active) and the number of blocked beams (“0” if all beams are clear).
  - Zone indicators active
  - Reset indicator Off
  - Status indicator On Red
- Position object(s) to be blanked (or remove objects that will no longer be blanked).
- When any beams are blocked, the 7-segment display sequentially displays “PFA” and the number of blocked beams. The zone indicators remain active and denote the location of blocked beams.
- To teach the blanked beams, re-configure DIP switches for normal operation (see [System Configuration Settings](#) on page 53 and [Figure 34](#) on page 53). Verify that only the objects to be blanked are interrupting the defined area. A lockout will occur if an object is moved or removed after teaching.
- Receiver indicates:
  - Display: sequentially displays “PFC” (PFC = Program Fixed Blanking Complete)
  - Zone indicators flash approximate location of fixed blanked area programmed
  - Reset indicator single-flashing Yellow
  - Status indicator single-flashing Red
- Perform a valid reset sequence (see Step 4) or cycle power.
- To disable fixed blanking, follow this same procedure, but remove all objects not to be blanked at Step 6.
- With Power On: Position object(s) in the defined area.

2. Set T/L and Red Res switches as shown (do not change SC2/SC1 or E1/E2 switch positions).
3. Press the Reset button or cycle power.
4. Reconfigure DIP switches for normal operation.
5. Press the Reset button or cycle power.

### 4.3.8 Trip Test

After optimizing the optical alignment and configuring fixed blanking, muting, and/or reduced resolution (if applicable), perform the trip test to verify the detection capability of the EZ-SCREEN LPM System. This test will also verify correct sensor orientation, identify optical short circuits, and verify the expected resolution for applications using reduced resolution. Once the installation has passed the trip test, the safety outputs may be connected and the commissioning checkout may be performed (initial installations only).

1. Select the proper test piece (see table), supplied with the receiver.

Appropriate Test Pieces for Trip Test		
Reduced Resolution	14 mm Resolution Models	25 mm Resolution Models
OFF	14 mm (0.55 in) dia. Model STP-13	25 mm (0.98 in) dia. Model STP-16
ON (2-beam)	34 mm (1.34 in) dia. Model STP-17	65 mm (2.56 in) dia. Model STP-18

2. Verify that the System is in Run mode, the Green Status indicator is ON (or flashing if reduced resolution is enabled), all Zone indicators are Green, and the Yellow Status indicator is ON. A manual reset may be required in Latch mode.
3. Pass the specified test piece through the defined area in three paths: near the emitter, near the receiver, and midway between the emitter and receiver.

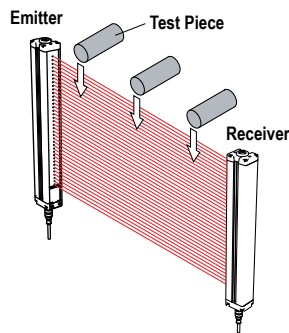


Figure 28. Trip Test

4. During each pass, while the test piece is interrupting the defined area, at least one Zone indicator must be Red. The Red Zone indicator must change with the position of the test piece within the defined area.
  - Trip Output Operation: The Status indicator must turn Red and remain Red for as long as the test piece remains in the defined area. If not, the installation has failed the trip test.
  - Latch Output Operation: The Status indicator must turn Red and remain Red. The Yellow Reset indicator must remain ON steady. If the Reset indicator begins to flash at any time while the test piece is interrupting the defined area, the installation has failed the trip test.

If all Zone indicators turn Green or fail to follow the position of the test piece while it is within the defined area, the installation has failed the trip test. Check for correct sensor orientation, reflective surfaces, and unguarded areas created due to the use of Blanking. Do not continue until the situation is corrected.

When the test piece is removed from the defined area, in trip output operation, the Status indicator must turn ON Green (or flash Green, if reduced resolution is enabled). In latch output operation, the Status indicator will remain Red until a manual reset is performed (the Yellow Reset indicator will be flashing).



#### WARNING: If Trip Test Indicates a Problem

If the EZ-SCREEN LPM System does not respond properly to the trip test, do not attempt to use the System. If this occurs, the System cannot be relied on to stop dangerous machine motion when a person or object enters the defined area. Serious bodily injury or death could result.

5. If mirrors are used in the application: Test the defined area on each leg of the sensing path (for example, emitter to mirror, between mirror and receiver, see [Figure 29](#) on page 43).

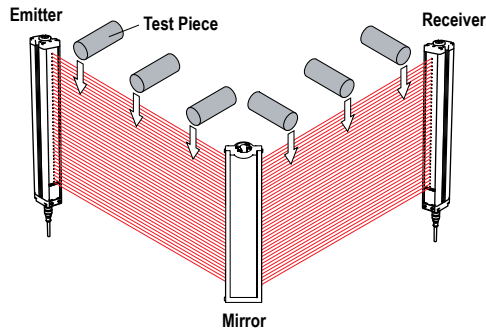


Figure 29. Trip Test with Corner Mirror

6. If the EZ-SCREEN LPM System passes all checks during the trip test, go on to [Electrical Connections to the Guarded Machine](#) on page 43.

## 4.4 Electrical Connections to the Guarded Machine

Verify that power has been removed from the EZ-SCREEN LPM and the guarded machine. Make the permanent electrical connections as described in [OSSD Output Connections](#) on page 43 and [FSD Interfacing Connections](#) on page 44 as required by each individual application.

Lockout/tagout procedures may be required (refer to OSHA 1910.147, ANSI Z244-1, ISO 14118, or the appropriate standard for controlling hazardous energy). Follow relevant electrical standards and wiring codes, such as the NEC, NFPA79 or IEC 60204-1.

Supply power and the external reset switch should already be connected. The EZ-SCREEN LPM must also have been aligned and passed the Initial Checkout, as described in [Initial Checkout Procedure](#) on page 36.

The final connections to be made are:

- OSSD outputs
- FSD interfacing
- MPCE/EDM connections
- Remote Test



**CAUTION: Shock Hazard**

Always disconnect power from the Banner device and the guarded machine before making any connections or replacing any component. Use extreme caution to avoid electrical shock at all times.

### 4.4.1 OSSD Output Connections

Both the Output Signal Switching Device (OSSD) outputs must be connected to the machine control so that the machine's safety-related control system interrupts the circuit or power to the Machine Primary Control Element(s) (MPCE), resulting in a non-hazardous condition.

Final Switching Devices (FSDs) typically accomplish this when the OSSDs go to an OFF state.

Refer to the output specifications in [Receiver Specifications](#) on page 75 and the warning below before making OSSD output connections and interfacing the EZ-SCREEN LPM to the machine.

**WARNING: Interfacing of Both OSSDs**

Both of the OSSD (Output Signal Switching Device) outputs must be connected to the machine control so that the machine's safety-related control system interrupts the circuit to the machine primary control element(s), resulting in a non-hazardous condition.

Never wire an intermediate device(s) (for example, PLC, PES, or PC) that can fail in such a manner that there is the loss of the safety stop command, OR in such a manner that the safety function can be suspended, overridden, or defeated, unless accomplished with the same or greater degree of safety.

**WARNING: OSSD Interfacing**

To ensure proper operation, the Banner device output parameters and machine input parameters must be considered when interfacing the Banner device OSSD outputs to machine inputs. Machine control circuitry must be designed so that the maximum load resistance value is not exceeded and that the maximum specified OSSD Off-state voltage does not result in an On condition.

Failure to properly interface the OSSD Outputs to the guarded machine may result in serious bodily injury or death.

## 4.4.2 FSD Interfacing Connections

FSDs (Final Switching Devices) takes many forms. The most common are forced-guided, mechanically linked relays, or interface modules. The mechanical linkage between the contacts allows the device to be monitored by the External Device Monitoring circuit for certain failures.

Depending on the application, the use of FSDs can facilitate controlling voltage and current that differs from the OSSD outputs of the EZ-SCREEN LPM. FSDs can also be used to control an additional number of hazards by creating multiple safety stop circuits.

### Protective Stop (Safety Stop) Circuits

A protective stop (safety stop) allows for an orderly cessation of motion for safeguarding purposes, which results in a stop of motion and removal of power from the MPCEs (assuming this does not create additional hazards). A protective stop circuit typically comprises a minimum of two normally open contacts from forced-guided, mechanically linked relays, which are monitored through External Device Monitoring to detect certain failures in order to prevent the loss of the safety function. Such a circuit can be described as a "safe switching point." Typically, protective stop circuits are either single-channel, which is a series connection of at least two normally open contacts; or dual-channel, which is a separate connection of two normally open contacts. In either method, the safety function relies on the use of redundant contacts to control a single hazard. If one contact fails ON, the second contact will arrest the hazard and prevent the next cycle from occurring. See [Generic Wiring to FSDs \(manual reset\)](#) on page 50

The interfacing of the protective stop circuits must be accomplished so that the safety function cannot be suspended, overridden, or defeated, unless accomplished in a manner at the same or greater degree of safety as the machine's safety related control system that includes the EZ-SCREEN LPM.

The normally open safety outputs from an interface module provide a series connection of redundant contacts that form protective stop circuits for use in either single-channel or dual-channel control. See [Generic Wiring to FSDs \(manual reset\)](#) on page 50

### Dual-Channel Control

Dual-channel control provides the ability to electrically extend the safe switching point beyond the FSD contacts. With proper monitoring, this method of interfacing is capable of detecting certain failures in the control wiring between the safety stop circuit and the MPCEs. These failures include a short-circuit of one channel to a secondary source of energy or voltage, or the loss of the switching ability of one of the FSD outputs. Such failures could lead to the loss of redundancy, or to a complete loss of safety, if not detected and corrected.

The possibility of a failure to the wiring increases as the physical distance between the FSD safety stop circuits and the MPCEs increases, as the length or the routing of the interconnecting wires increases, or if the FSD safety stop circuits and the MPCEs are located in different enclosures. For this reason, dual-channel control with EDM monitoring should be used in any installation where the FSDs are located remotely from the MPCEs.

### Single-Channel Control

Single-channel control uses a series connection of FSD contacts to form a safe switching point. After this point in the machine's safety-related control system, failures can occur that would result in the loss of the safety function (such as a short-circuit to a secondary source of energy or voltage). For this reason, single-channel control interfacing should be used

only in installations where FSD safety stop circuits and the MPCEs are mounted within the same control panel, adjacent to each other, and are directly connected to each other; or where the possibility of such a failure can be excluded. If this cannot be achieved, then dual-channel control should be used.

Methods to exclude the possibility of these failures include, but are not limited to:

- Physically separating interconnecting control wires from each other and from secondary sources of power.
- Routing interconnecting control wires in separate conduit, runs, or channels.
- Locating all elements (modules, switches, and devices under control) within one control panel, adjacent to each other, and directly connected with short wires.
- Properly installing multi-conductor cabling and multiple wires through strain relief fittings. (Over-tightening of a strain-relief can cause short-circuits at that point.)
- Using positive-opening or direct-drive components, installed and mounted in a positive mode.

#### 4.4.3 Machine Primary Control Elements and EDM Input

Each of the two Machine Primary Control Elements (MPCE1 and MPCE2) must be capable of immediately stopping the dangerous machine motion, irrespective of the state of the other. A machine primary control element (MPCE) is an “electrically powered element that directly controls the normal operation of a machine in such a way that it is the last element (in time) to function when machine operation is to be initiated or arrested” (per IEC61496-1). Examples include motor contactors, clutch/brakes, valves, and solenoids.

Depending on the level of risk of harm, it may be required to provide redundant MPCEs or other control devices that are capable of immediately stopping the dangerous machine motion, irrespective of the state of the other. These two machine control channels need not be identical (diverse redundant), but the stop time performance of the machine ( $T_s$ , used to calculate the safety distance, see [Calculating the Safety Distance \(Minimum Distance\)](#) on page 20) must take into account the slower of the two channels. Refer to [Generic Wiring to FSDs \(manual reset\)](#) on page 50 or consult the machine manufacturer for additional information.

To ensure that an accumulation of failures does not compromise the redundant control scheme (cause a failure to danger), a method to verify the normal functioning of MPCEs or other control devices is required. EZ-SCREEN LPM provides a convenient method for this verification: external device monitoring (EDM).

For the EZ-SCREEN LPM external device monitoring to function properly, each device must include a normally closed, forced-guided (mechanically linked) contact that can accurately reflect the status of the device. This ensures that the normally open contacts, used for controlling hazardous motion, have a positive relationship with the normally closed monitoring contacts and can detect a failure to danger (for example, contacts that welded closed or stuck ON).

It is strongly recommended that a normally closed, forced-guided monitoring contact of each FSD and MPCE be connected in series with the EDM input (see [Generic Wiring to FSDs \(manual reset\)](#) on page 50 ). If this is done, proper operation will be verified. Monitoring FSD and MPCE contacts is one method of maintaining control reliability (OSHA/ANSI) and Category 3 and 4 (ISO13849-1).

If monitoring contacts are not available or do not meet the design requirement of being forced-guided (mechanically linked), it is recommended to:

- Replace the devices so that they are capable of being monitored,

or

- Incorporate the EDM function into the circuit as close to the MPCE as possible (for example, monitor the FSDs),

and

- Employ the use of well-trying, tested, and robust components, and generally accepted safety principles, including fault exclusion, into the design and installation to either eliminate, or reduce to an acceptable (minimal) level of risk, the possibility of undetected faults or failures that can result in the loss of the safety function.

The principle of fault exclusion allows the designer to design out the possibility of various failures and justify it through the risk assessment process to meet the required level of safety performance, such as the requirements of Category 2, 3, or 4. See ISO 13849-1/-2 for further information.

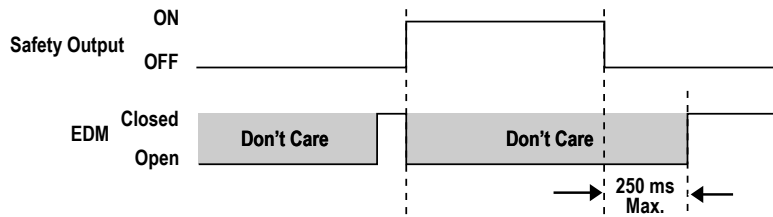


#### WARNING: EDM Monitoring

If the System is configured for “No Monitoring,” it is the user’s responsibility to ensure that this does not create a hazardous situation.

#### 4.4.4 External Device Monitoring

EZ-SCREEN LPM provides two possible EDM configurations: 1-channel monitoring and no monitoring. Their functions are described below. The most common form of EDM is 1-channel monitoring. The installation must prevent short circuits across the N.C. monitoring contacts and to secondary sources of power.



#### 4.4.5 External Device Monitoring Hookup

If not connected previously, it is again strongly recommended that one normally closed, forced-guided monitoring contact of each FSD and MPCE be wired as shown in the monitoring circuit (see [Generic Wiring to FSDs \(manual reset\)](#) on page 50 ). Pins 2 and 3 of the receiver connector provide connection for the external device monitoring input.

**One-Channel Monitoring:** This is a series connection of closed monitor contacts that are forced-guided (mechanically linked) from each device controlled by the EZ-SCREEN LPM. The monitor contacts must be closed before the EZ-SCREEN LPM can be reset and the OSSDs can turn ON. After a reset is executed and the safety outputs (OSSDs) turn ON, the status of the monitor contacts are no longer monitored and may change state. However, the monitor contacts must be closed within 250 milliseconds of the OSSD outputs going from ON to OFF.

Refer to [Generic Wiring to FSDs \(manual reset\)](#) on page 50 for hookup. Connect the monitor contacts between +24V dc and EDM (orange wire, pin 9).

**No Monitoring:** Use this configuration to perform the initial checkout; see [Initial Checkout Procedure](#) on page 36. *If the application does not require the EDM function, it is the user's responsibility to ensure that this configuration does not create a hazardous situation.* To configure the System for No Monitoring, connect or jumper EDM (orange wire, pin 9) directly to +24V dc.

#### 4.4.6 Emitter Remote Test Input

An emitter connection is provided (Test) for the connection of an external remote test switch (typically a normally open contact held closed). Opening this switch "turns OFF" the emitter, simulating an interruption of the light beams; all OSSD outputs will turn OFF. This input is used in conjunction with the emitter Test/Reset DIP switch. See [Emitter Specifications](#) on page 74, [System Configuration Settings](#) on page 53, and [Generic Emitter Wiring Diagram](#) on page 49.

#### 4.4.7 Auxiliary (OSSD Follow/Fault) Output

EZ-SCREEN LPM receivers have an auxiliary status output that provides a PNP current-sourcing output (250 mA max.) that mirrors the state of the OSSDs or indicates a lockout (ON = Fault). The output is on pin 8 (red wire).

The emitter also has a Fault output that can be enabled to indicate the emitter lockout status (see [System Configuration Settings](#) on page 53).

#### 4.4.8 Preparing for System Operation

After the initial trip test has been accomplished, and the OSSD safety outputs and EDM connections have been made to the machine to be controlled, the EZ-SCREEN LPM is ready for testing in combination with the guarded machine.

The operation of the EZ-SCREEN LPM with the guarded machine must be verified before the combined System and machine may be put into service. To do this, a Qualified Person must perform the Commissioning Checkout Procedure described in [Commissioning Checkout](#) on page 46.

#### 4.4.9 Commissioning Checkout



**WARNING: Do Not Use Machine Until System Is Working Properly**

If all of these checks cannot be verified, do not attempt to use the safety system that includes the Banner device and the guarded machine until the defect or problem has been corrected. Attempts to use the guarded machine under such conditions may result in serious bodily injury or death.

Perform this checkout procedure as part of the System installation after the System has been interfaced to the guarded machine, or whenever changes are made to the System (either a new configuration of the EZ-SCREEN LPM or changes to the machine). A Qualified Person must perform the procedure. Checkout results should be recorded and kept on or near the guarded machine as required by applicable standards.

To prepare the System for this checkout:

1. Examine the guarded machine to verify that it is of a type and design compatible with the EZ-SCREEN LPM System. See [Examples: Inappropriate Applications](#) on page 8 for a list of misapplications.
2. Verify that the EZ-SCREEN LPM is configured for the intended application.
3. Verify that the safety distance (minimum distance) from the closest danger point of the guarded machine to the defined area is not less than the calculated distance, per [Calculating the Safety Distance \(Minimum Distance\)](#) on page 20.
4. Verify that:
  - Access to any dangerous parts of the guarded machine is not possible from any direction not protected by the EZ-SCREEN LPM System, hard (fixed) guarding, or supplemental safeguarding, and
  - It is not possible for a person to stand between the defined area and the dangerous parts of the machine, or
  - Supplemental safeguarding and hard (fixed) guarding, as described by the appropriate safety standards, are in place and functioning properly in any space (between the defined area and any hazard) which is large enough to allow a person to stand undetected by the EZ-SCREEN LPM.
5. Verify that all reset switches are mounted outside and in full view of the guarded area, out of reach of anyone inside the guarded area, and that means of preventing inadvertent use is in place.
6. Examine the electrical wiring connections between the EZ-SCREEN LPM OSSD outputs and the guarded machine's control elements to verify that the wiring meets the requirements stated in [Electrical Connections to the Guarded Machine](#) on page 43.
7. Inspect the area near the defined area (including work pieces and the guarded machine) for reflective surfaces (see [Adjacent Reflective Surfaces](#) on page 24). Remove the reflective surfaces if possible by relocating them, painting, masking or roughening them. Remaining problem reflections will become apparent during the Trip Test.
8. Verify that power to the guarded machine is Off. Remove all obstructions from the defined area. Apply power to the EZ-SCREEN LPM System.
9. Observe the Status indicators and Diagnostic Display:
  - Lockout: Status flashing Red; all others Off
  - Blocked: Status On Red; one or more Zone indicators On Red; Reset On Yellow
  - Clear: Status On Green <sup>4</sup>; all Zone indicators On Green <sup>5</sup>; Reset On Yellow
  - Latch: (defined area clear) Status On Red; all Zone indicators On Green; Reset double-flashing Yellow

Perform a manual reset as described in [Emitter and Receiver Reset](#) on page 58.

10. A Blocked condition indicates that one or more of the beams is misaligned or interrupted. See the Alignment procedure in [Optical Alignment](#) on page 37 to correct this situation. If the System is in a Latch condition, perform a manual reset.
11. After the Green and Yellow Status indicators are On, perform the trip test ( [Trip Test](#) on page 42) on each sensing field to verify proper System operation and to detect possible optical short circuits or reflection problems. Do not continue until the EZ-SCREEN LPM passes the trip test.



Important: Do not expose any individual to any hazard during the following checks.



**WARNING:** Before Applying Power to the Machine

Verify that the guarded area is clear of personnel and unwanted materials (such as tools) before applying power to the guarded machine. Failure to do so may result in serious bodily injury or death.

12. Apply power to the guarded machine and verify that the machine does not start up.
13. Interrupt (block) the defined area with the supplied test piece and verify that it is not possible for the guarded machine to be put into motion while the beam(s) is blocked.
14. Initiate machine motion of the guarded machine and, while it is moving, use the supplied test piece to block the defined area. Do not attempt to insert the test piece into the dangerous parts of the machine. Upon blocking any beam, the dangerous parts of the machine must come to a stop with no apparent delay.
15. Remove the test piece from the beam; verify that the machine does not automatically restart, and that the initiation devices must be engaged to restart the machine.
16. Remove electrical power to the EZ-SCREEN LPM. Both OSSD outputs should immediately turn Off, and the machine must not be capable of starting until power is re-applied to the EZ-SCREEN LPM.

<sup>4</sup> The status indicator flash Green if reduced resolution is enabled.

<sup>5</sup> The Zone indicators flash Green if fixed blanking is enabled.

17. Test the machine stopping response time, using an instrument designed for that purpose, to verify that it is the same or less than the overall system response time specified by the machine manufacturer. A Banner Applications Engineer can recommend a suitable instrument.

Do not continue operation until the entire checkout procedure is complete and all problems are corrected.

## Muting Checkout

1. Verify that the system has been reset and the Green Status indicator is On. If the Yellow Reset indicator is flashing (indicating the system is waiting for a reset of a latched condition), perform a manual reset. At any time, if the Status indicator begins to flash Red, a lockout condition exists. Refer to Section 6 to determine the cause of the lockout.

During this procedure, at all times ensure that personnel are not exposed to any hazard.

2. Block or activate each mute device individually and verify that the correct Mute Device indicator on the receiver is On Yellow. If not, check the mute devices and their wiring.
3. Mute the system by blocking (or activating) both mute devices (typically M1–M2) simultaneously (within 3 seconds).
4. Verify that the external Mute Lamp comes On. If not, check the indicator and its wiring. Verify that the ME/OR2 input is closed ( if configured for Mute Enable), and check the Diagnostic Display for error codes.
5. Interrupt (block) the defined area of the EZ-SCREEN LPM; verify the Status indicator is On Green.
6. Clear the defined area (before the Mute Timer expires) and verify the Status indicator remains On Green. Clear (deactivate) the mute devices before the Mute Timer expires (see [Mute Time Limit \(Backdoor Timer\)](#) on page 15) and verify the external Mute Lamp goes Off. The Status indicator should remain On Green.
7. Verify that it is not possible for a single individual to initiate a mute condition by triggering the mute devices (for example, by blocking both photoelectric beams or actuating both switches) and access the hazard without being detected and issuing a stop command to the machine. Do not expose any individual to hazard while attempting to mute the system.
8. Verify that it is not possible for personnel to pass in front of, behind, or next to the muted object without being detected and without issuing a stop command to the machine.
9. When used, verify optional functions. Do not expose any individual to hazard while attempting to mute, bypass, or override the system.

### One-way (directional) muting using the Mute Enable function (configuration options #1 or #2)

1. With the ME/OR2 input open (N.C. switch held open) or at 0 Vdc, verify that the system can not be muted by blocking (or activating) the mute devices within 3 seconds of each other. Do not expose any individual to hazard while attempting to mute the system.

### "Exit-only" application (configuration options #7 and #8)

1. Verify the minimum carrier length requirement for this mute configuration. See [Entry/Exit Applications](#) on page 65 and [Figure 40](#) on page 67.
2. From the non-hazardous side (Safe Area) of the EZ-SCREEN LPM, verify that the system cannot be muted and that the light screen OSSDs turn Off and remain Off when the defined area is blocked.

### Mute-Dependent Override (configuration options #5, #6, or #7)

1. Clear all mute sensors and the light screen; verify that the OSSDs are On.
2. Block (interrupt) the defined area of the light screen.
3. Verify that the OSSDs turn Off.
4. Block (activate) one or both of the mute sensors. The external mute lamp should be flashing.
5. With the light screen defined area and one mute sensor blocked, start the override by closing the RESET/OR1 input and opening the OR2/ME input (within 3 seconds of each other).
6. Verify that the OSSDs turn On, and that the mute lamp, if used, is on steady.
7. Verify the OSSDs turn Off after 60 seconds when the Override timer expires.
8. Clear the light screen and all mute sensors.
9. Verify that the OSSDs turn On.
10. Open the RESET/OR1 input and close the OR2/ME input.
11. Verify that the OSSDs remain On.

### Bypass Function (configuration options #3, #4 or #8)

1. Clear all mute sensors and the light screen; verify that the OSSDs are On.
2. Block (interrupt) the defined area of the light screen.
3. Verify that the OSSDs turn Off.
4. With the defined area blocked, start the bypass by closing the RESET/OR1 input and opening the OR2/ME input (within 3 seconds of each other).
5. Verify that the OSSDs turn On, and that the mute lamp, if used, is on steady.
6. Verify the OSSDs turn Off after 5 minutes when the Bypass timer expires.



7. Clear the light screen.
8. Verify that the OSSDs turn On.
9. Open the RESET/OR1 input and close the OR2/ME input.
10. Verify that the OSSDs remain On.



**WARNING:** Do Not Use Machine Until System Is Working Properly

If all of these checks cannot be verified, do not attempt to use the safety system that includes the Banner device and the guarded machine until the defect or problem has been corrected. Attempts to use the guarded machine under such conditions may result in serious bodily injury or death.

## 4.5 Reference Wiring Diagrams

Other interfacing modules and solutions are available, see [Specifications and Accessories](#) on page 72 and the Banner product catalog.

### 4.5.1 Generic Emitter Wiring Diagram

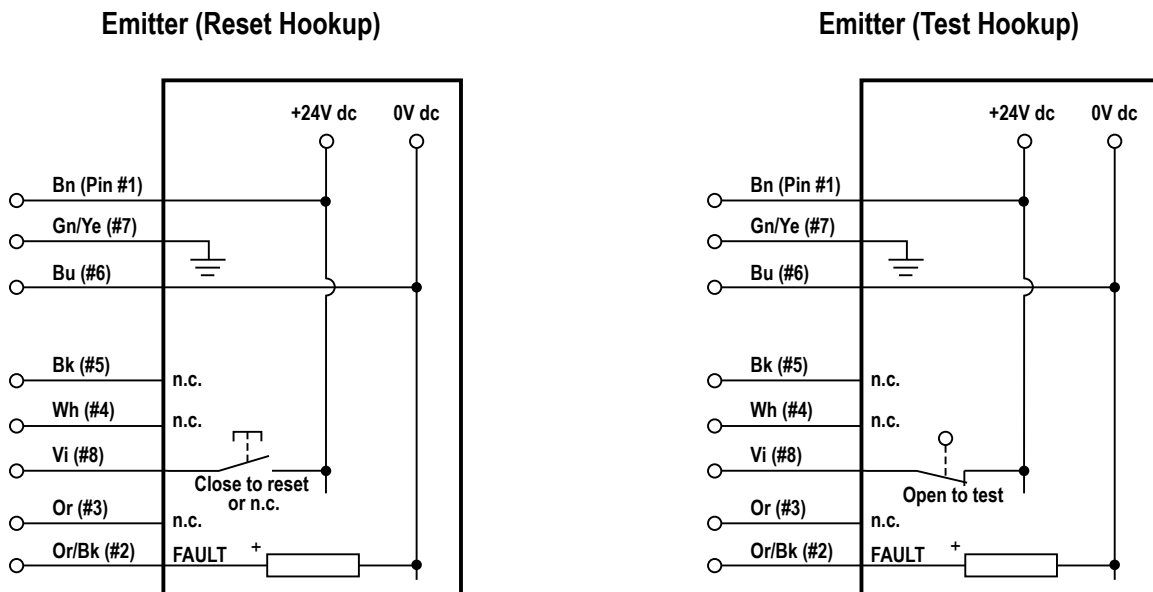


Figure 30. Emitter—Generic hookup



**NOTE:** Color code reflects RDLP-8..D and QDE-8..D cordsets and pin out. See [Cordsets](#) on page 75 for further cordset information.

### 4.5.2 Generic Wiring to FSDs (manual reset)

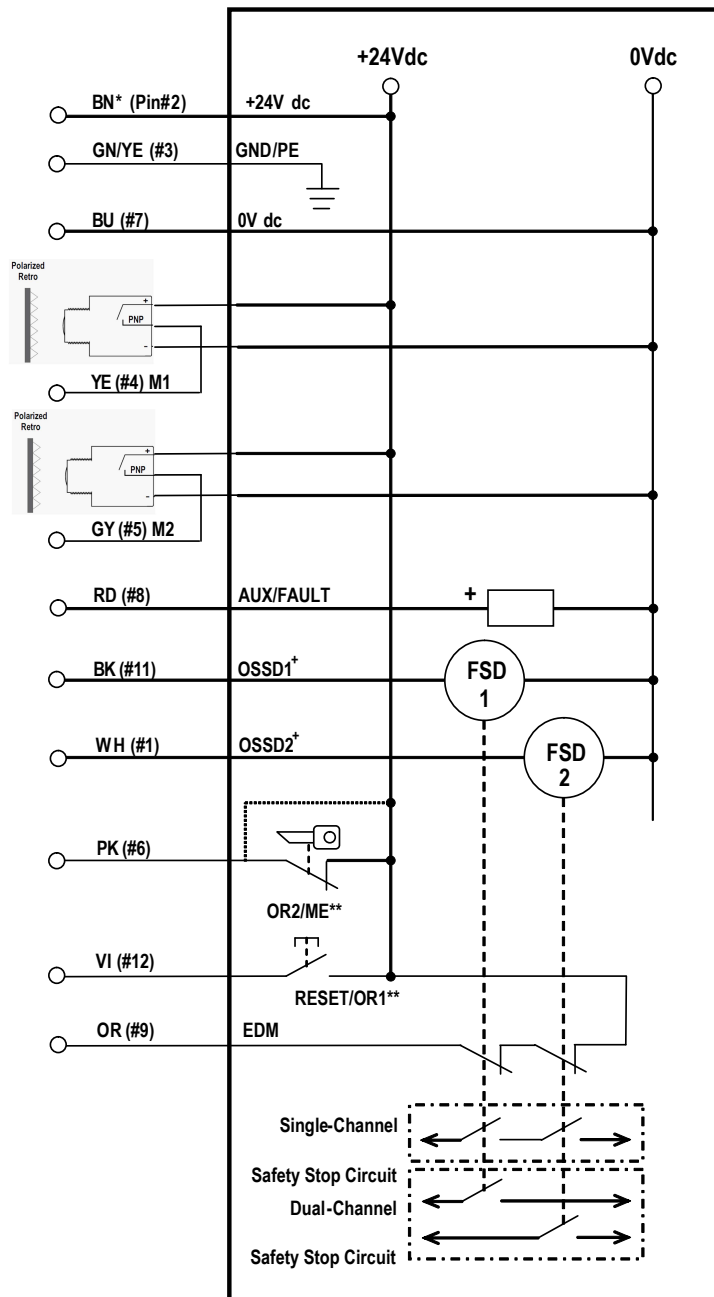


Figure 31. Generic hookup - FSDs (1-CH EDM, manual reset, Override)



NOTE: \*Color code reflects RDL11..E and DELPE-12..E cordsets and pin out. Pin #10 on M12/Euro-style QD not used. See [Cordsets](#) on page 75 for further cordset information.

\*\* For Trip (auto reset) operation VI (#12) is not connected. If override (bypass) is not used PK (#6) must be connected to +24V dc.

+ Do not exceed OSSD maximum load capacitance specification. See [General Specifications](#) on page 74.

## 4.5.3 IM-T-9A

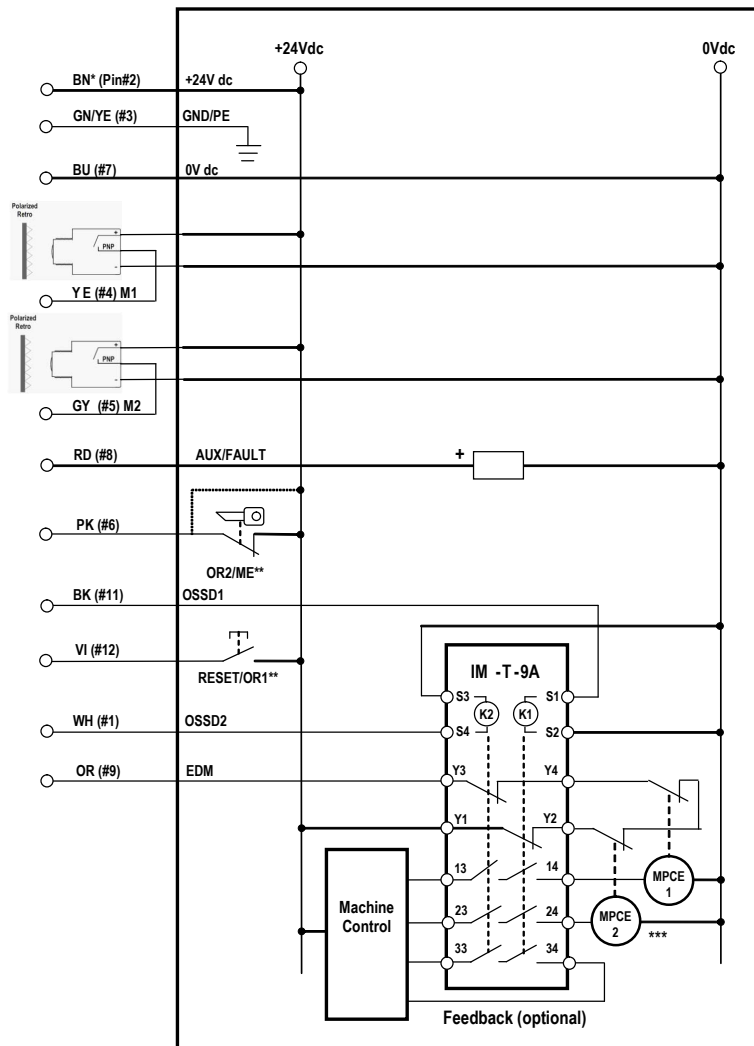


Figure 32. Generic hookup - Interface Module (1-CH EDM, manual reset, Override)



NOTE: \* Color code reflects RDLPE-11..E and DELPE-12..E cordsets and pin out. Pin #10 on M12/Euro-style QD not used. See [Cordsets](#) on page 75 for further cordset information.

\*\* For Trip (auto reset) operation VI (#12) is not connected. If override (bypass) is not used PK (#6) must be connected to +24V dc.

\*\*\* Installation of transient (arc) suppressor across the coils of MPCE1 and MPCE2 is recommended (see Warning).



**WARNING:** Use of Transient Suppressors

If transient suppressors are used, they **MUST** be installed across the coils of the machine control elements. **NEVER** install suppressors directly across the contacts of the IM-T-..A Module. It is possible for suppressors to fail as a short circuit. If installed directly across the contacts of the IM-T-..A Module, a short-circuit suppressor will create an unsafe condition.

4.5.4 SC22-3

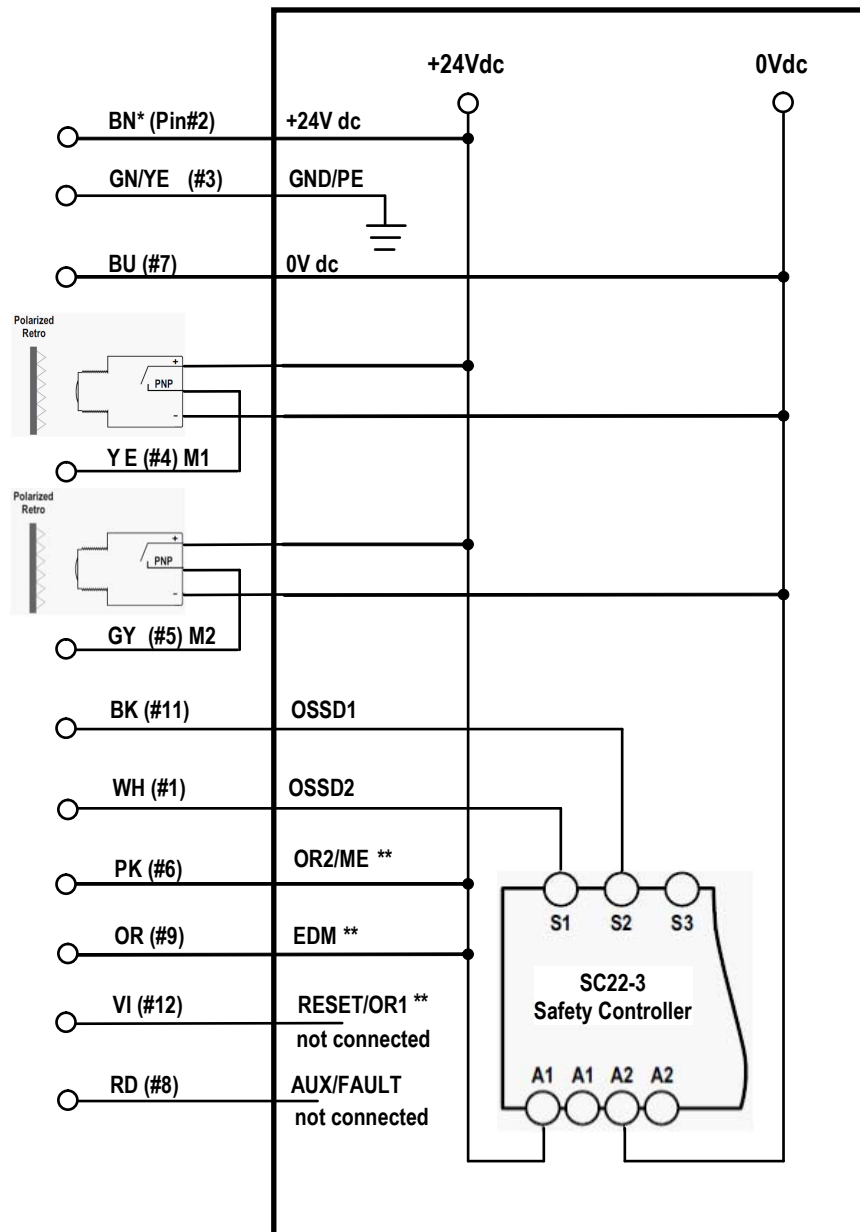


Figure 33. Generic hookup - Self-checking safety module, Safety Controller, safety PLC (no EDM, auto rest, no Override)



NOTE: \* Color code reflects RDLPE-11..E and DELPE-12..E cordsets and pin out. Pin #10 on M12/Euro-style QD not used. See [Cordsets](#) on page 75 for further cordset information.

\*\* For Trip (auto reset) operation VI (#12) is not connected. No EDM monitoring and no Override (bypass), OR (#9) and PK (#6) must be connected to +24V dc.

## 5 System Operation

### 5.1 Security Protocol

Certain procedures for installing, maintaining, and operating the EZ-SCREEN LPM must be performed by either Designated Persons or Qualified Persons.

A Designated Person is identified and designated in writing, by the employer, as being appropriately trained and qualified to perform system resets and the specified checkout procedures on the EZ-SCREEN LPM. The Designated Person is empowered to:

- Perform manual resets and hold possession of the reset key (see [Reset Procedures](#) on page 54)
- Perform the Daily Checkout Procedure

A Qualified Person, by possession of a recognized degree or certificate of professional training, or by extensive knowledge, training, and experience, has successfully demonstrated the ability to solve problems relating to the installation of the EZ-SCREEN LPM System and its integration with the guarded machine. In addition to everything for which the Designated Person is empowered, the Qualified Person is empowered to:

- Install the EZ-SCREEN LPM System
- Perform all checkout procedures
- Make changes to the internal configuration settings
- Reset the System following a Lockout condition

### 5.2 System Configuration Settings

If not previously configured, System settings are made on the configuration panels located on each sensor, behind the access door. The access door is opened by loosening the factory installed screw (M2 / Phillips #1).

The receiver has redundant Trip/Latch and Reduced Resolution DIP switches, which must be set identically. Failure to do so will cause a Lockout condition when power is applied. If the corresponding pairs of DIP switches are not set identically, the EZ-SCREEN LPM will not operate.

Power to the EZ-SCREEN LPM receiver should be OFF when changing DIP switch settings (other than Scan Code, Aux/Fault Output, or Invert Display) or a Lockout will occur.

After configuration settings are verified/set, fully close the access door and tighten the screw to maintain the sensor IP rating.



Figure 34. Accessing the configuration switches

Table 2: DIP Switch Settings

Underlined entries indicate factory defaults. "Left" and "right" refer to positions as shown in [Figure 34](#) on page 53.

Label	Left Position (<--)	Right Position (-->)
T/L	<u>Trip Output</u>	Latch Output
RED RES	2-Beam Reduced Resolution enabled	<u>Reduced Resolution Off</u>
SCAN	Scan Code 2	<u>Scan Code 1</u>
ML	Mute Lamp <u>monitoring On</u>	Mute Lamp monitoring Off
AUX/FLT	<u>Aux</u> (OSSD follow)	Fault (lockout)
INVERT	Inverted display	<u>OFF (Standard display)</u>
TEST (Emitter)	Test function	<u>Reset</u> function
FAULT (Emitter)	ON	<u>OFF</u>

Trip or latch output operation is selected on two DIP switches in the receiver configuration port. Both switches must be set to the same setting. If they have different settings, an error code will be displayed. If the switches are set for trip output (T), the EZ-SCREEN LPM will auto-reset after a blocked condition. If the switches are set for latch output (L), it will require a manual reset.

Reduced Resolution: Enables or disables two-beam reduced resolution, and is selected on two DIP switches that must be set to the same setting.

NOTE: Enabling reduced resolution will affect the minimum safety distance.

Scan code is used to allow operation of multiple pairs of emitters and receivers in close proximity. Scan code may be set to 1 or 2, via DIP switch. The scan code setting for each emitter must agree with its corresponding receiver. Scan code settings may be changed while in Run mode without causing a Lockout.

Mute Lamp (ML) is used to select between a monitored and non-monitored output to indicate the muted condition. For a monitored output, the current draw of the device under load (e.g. indicator) must be between 10 mA and 360 mA (+24V dc) or the mute operation will be prevented.

Auxiliary Output: Determines whether the receiver auxiliary output follows the state of the OSSDs (output On = Green Status LED) or if the sensor is in a lockout (output ON = Fault).

Inverted Display: Inverts the 7-segment display for right-reading when sensors are mounted with the indicator end facing up. DIP switch position Off results in standard orientation.

Test/Reset: This emitter-only function is used to configure the violet wire (pin 8) for either a Reset function (similar to the receiver), or for a Test function which, when activated, simulates a blocked condition for receiver testing purposes.

Fault (Emitter): This emitter-only function is used to determine whether the emitter Fault signal is active (+24V) when the emitter locks out. Options are On or Off.

## 5.3 Reset Procedures

---

System resets are performed using an external reset switch. This switch must be located outside the guarded area, and must not be within reach from within the guarded area (see [Reset Switch Location](#) on page 24). Its location should provide a clear view of the entire safeguarded area. If any hazardous areas are not in view from the switch location, additional means of safeguarding must be provided. The switch should be protected from accidental or unintended actuation (for example, through the use of rings or guards).

If supervisory control of the reset switch is required, a key switch may be used, with the key kept in the possession of a Designated or Qualified Person. Using a key switch provides some level of personal control, since the key may be removed from the switch. This hinders a reset while the key is under the control of an individual, but must not be relied upon solely to guard against accidental or unauthorized reset. Spare keys in the possession of others or additional personnel entering the safeguarded area unnoticed may create a hazardous situation.

### 5.3.1 Emitter and Receiver Resets

The EZ-SCREEN LPM receiver and emitter each have a Reset input that provides for a manual reset input signal.

The receiver requires a manual reset to clear a Latch condition and resume operation following a stop command. Internal Lockout conditions also require a manual reset to return either the emitter or the receiver to Run mode after the failure has been corrected. Emitter resets are needed only in the unlikely event that a Lockout occurs.

Receiver manual resets are required in the following situations:

- Trip Output operation – only after a Lockout (see [Troubleshooting and Lockout Conditions](#) on page 58 for causes).
- Latch Output operation – at power-up, after each Latch condition occurs, or after a Lockout.

#### Reset Routine

To reset the emitter and/or receiver, close the reset switch for 1/4 to 2 seconds, then open it. An alternative method to reset either component is to power the sensor down, then power it up.

If reset switch model MGA-KSO-1 (see [External Keyed Reset Switches](#) on page 83) is used, turn the key 1/4 turn clockwise to close; turn counterclockwise, back to its original position, to open.






NOTE: Closing the reset switch too long will cause the sensor to ignore the reset request; the switch must be closed from 1/4 seconds to 2 seconds, but no longer.

## 5.4 Status Indicators

A variety of status indicators are clearly visible on each emitter and receiver face (see [Status Indicators](#) on page 10 and [Optical Alignment](#) on page 37).

### 5.4.1 Emitter

A single bi-color Red/Green Status indicator shows whether power is applied, and whether the emitter is in Run mode, Test mode, or Lockout status. A Diagnostic Display indicates a specific error code when the emitter is in Lockout; the display also momentarily indicates the scan code setting at power-up or when changed.

Operating Status	Status Indicator	7-Segment Diagnostic Display
Power-up	Red Single Flash	Scan code flashes 3 times - sequentially 
Run Mode	Green	
Test Mode	Flashing Green	
Lockout	Flashing Red	Displays error code (see <a href="#">Troubleshooting and Lockout Conditions</a> on page 58)




### 5.4.2 Receiver

Bi-color Red/Green Zone indicators show whether a section of the defined area is aligned and clear, or is blocked and/or misaligned. A Yellow Reset indicator shows when the System is in Run mode or is waiting for a reset. All models have 6 Zone indicators, each of which indicates Blocked/Clear conditions for approximately 1/6 of the total light screen.

A bi-color Red/Green Status indicator shows when the OSSD outputs are ON (Green) or OFF (Red), or the System is in Lockout status (flashing Red). The Diagnostic Display indicates the receiver's trip (-) or latch (L) configuration setting and displays a specific error code when the receiver is in Lockout. The Diagnostic Display also momentarily indicates the scan code setting at power-up or when changed.

Yellow Mute Device (MD) indicators show the status of the two mute device inputs. A Yellow indicator shows when the mute device input is at +24V (for example, sensor PNP output conducting).






### Trip Output Configured

Operating Mode	Reset Indicator	Status Indicator	Zone Indicators <sup>6</sup>	7-Segment Diagnostic Display	OSSD Outputs
Power-up	Off	Single-Flash Red	All Single-Flash Red	Scan code flash 3x - sequentially 	Off
Alignment Mode - Beam 1 Blocked	Off	Red	Zone 1 Red <sup>6</sup> Others Off		Off
Alignment Mode - Beam 1 Clear	On	Red	Red or Green	Total number of blocked beams	Off
Run Mode - Clear	On	Solid Green or Flashing Green <sup>7</sup>	All On Green		On
Run Mode - Blocked	On	Red	Red or Green <sup>6</sup>	Total number of blocked beams	Off
Lockout	Off	Flashing Red	All Off	Displays error code (see <a href="#">Troubleshooting and Lockout Conditions</a> on page 58)	Off

<sup>6</sup> NOTE: If beam 1 is blocked, Zone indicators 2-6 will be Off, because beam 1 provides the synchronization signal for all the beams.

<sup>7</sup> Flashing if Reduced Resolution is enabled.

## Latch Output Configured

Operating Mode	Reset Indicator	Status Indicator	Zone Indicators <sup>8</sup>	7-Segment Diagnostic Display	OSSD Outputs
Power-up	Off	Single-Flash Red	All Single-Flash Red	Scan code flash 3x - sequentially 	Off
Alignment Mode - Beam 1 Blocked	Off	Red	Zone 1 Red <sup>8</sup> Others Off		Off
Alignment Mode - Beam 1 Clear	On	Red	Red or Green	Total number of blocked beams	Off
Alignment Mode - All Beams Clear	Double-Flash	Red	All On green	Off	Off
Run Mode - Clear	On	Solid Green or Flashing Green <sup>9</sup>	All On Green		On
Latched - Blocked Beam 1 Blocked	On	Red	Red or Green <sup>8</sup>		Off
Latched - Blocked Beam 1 Clear	On	Red	Red or Green <sup>8</sup>	Total number of blocked beams	Off
Latched - Clear	Flashing	Red	All On Green		Off
Lockout	Off	Flashing Red	Off	Displays error code (see <a href="#">Troubleshooting and Lockout Conditions</a> on page 58)	Off

## 5.5 Normal Operation

### 5.5.1 System Power-Up

The EZ-SCREEN LPM will power up in one of two ways, depending on the trip/latch output configuration. If it is set for trip output, it will power up and reset automatically; if it is set for latch output, it will require a manual reset procedure after power-up and sensor alignment.

**Trip Output Power-Up:** When power is applied, each sensor conducts self-tests to detect critical internal faults, determine configuration settings, and prepare the EZ-SCREEN LPM for operation. If either sensor detects a critical fault, scanning ceases, the receiver outputs remain OFF and diagnostic information displays on the sensor's Diagnostic Display. If no faults are detected, the EZ-SCREEN LPM automatically enters Alignment mode, and the receiver looks for an optical sync pattern from the emitter. If the receiver is aligned and receives the proper sync pattern, it enters Run mode and begins scanning to determine the blocked or clear status of each beam. No manual reset operation is required.

**Latch Output Power-Up:** When power is applied, each sensor conducts self-tests to detect critical internal faults, determine configuration settings, and prepare for operation. (If either sensor detects a critical fault, scanning ceases, the receiver outputs remain OFF and diagnostic information is displayed on the sensor's Diagnostic Display.) If no faults are detected, the EZ-SCREEN LPM automatically enters Alignment mode, and the receiver looks for an optical sync pattern from the emitter. If the receiver is aligned and receives the proper sync pattern, it begins scanning to determine the blocked or clear status of each beam. When all beams are aligned, the Yellow Reset indicator double-flashes to indicate the EZ-SCREEN LPM is waiting for a manual reset. After a valid manual reset, the EZ-SCREEN LPM enters Run mode and continues scanning.

### 5.5.2 Run Mode

**Trip Output Configuration:** If any beams become blocked while the EZ-SCREEN LPM is running with trip output selected, the receiver outputs turn OFF within the stated EZ-SCREEN LPM response time (see [General Specifications](#) on page 74). If all the beams then become clear, the receiver outputs come back ON. No resets of any kind are needed. All required machine control resets are provided by the machine control circuit.

**Latch Output Configuration:** If any beams become blocked while the EZ-SCREEN LPM is running with latch output selected, the receiver outputs turn OFF within the stated EZ-SCREEN LPM response time (see [General Specifications](#) on page 74). If all the beams then become clear, the receiver Zone indicators will all be Green and the Reset indicator

<sup>8</sup> NOTE: If beam 1 is blocked, Zone indicators 2-6 will be Off, because beam 1 provides the synchronization signal for all the beams.  
<sup>9</sup> Flashing if Reduced Resolution is enabled.



single-flashes, indicating the EZ-SCREEN LPM is waiting for a manual latch reset. In latch output operation, the outputs come back ON only when all beams are clear and after a manual reset. The EZ-SCREEN LPM will wait for a manual reset; when a valid reset signal is received and all beams remain clear, the receiver outputs turn ON.

Internal Faults (Lockouts): If either sensor detects a critical fault, scanning ceases, the receiver outputs turn OFF and diagnostic information displays on the sensor's Diagnostic Display. See [Troubleshooting and Lockout Conditions](#) on page 58 for resolution of error/fault conditions.

## 5.6 Periodic Checkout Requirements

---

To ensure continued reliable operation, the System must be checked out periodically.

At every shift change, power-up, and machine setup change, the Daily Checkout should be performed; this checkout may be performed by a Designated or Qualified Person.

Semi-annually, the System and its interface to the guarded machine should be thoroughly checked out; this checkout must be performed by a Qualified Person (see [Checkout Procedure Schedule](#) on page 64). A copy of these test results should be posted on or near the machine.

Whenever changes are made to the System (either a new configuration of the EZ-SCREEN LPM System or changes to the machine), the Commissioning Checkout should be performed (see [Commissioning Checkout](#) on page 46).



### NOTE: Verify Proper Operation

The EZ-SCREEN LPM can operate as it is designed only if it and the guarded machine are operating properly, both separately and together. It is the user's responsibility to verify this, on a regular basis, as instructed in [Checkout Procedure Schedule](#) on page 64. Failure to correct such problems can result in an increased risk of harm.

Before the System is put back into service, verify that the EZ-SCREEN LPM System and the guarded machine perform exactly as outlined in the checkout procedures and any problem(s) are found and corrected.

## 6 Troubleshooting and Maintenance

### 6.1 Troubleshooting and Lockout Conditions

Evaluate status indicators per [Status Indicators](#) on page 55 .

A Lockout condition causes all of the EZ-SCREEN LPM OSSD outputs to turn or remain OFF, sending a stop signal to the guarded machine. Each sensor provides diagnostic error codes to assist in the identification of the cause(s) of lockouts (see [Receiver Error Codes](#) on page 59 and [Emitter Error Codes](#) on page 59 or the Diagnostic Error Code label supplied in the documentation pack).

The System provides easy methods for determining operating problems. A Lockout condition is indicated by the following:

Receiver		Emitter	
Reset indicator	OFF	Status indicator	Flashing Red
Status indicator	Flashing Red	Diagnostic Display	Error code (flashing)
Zone indicators	OFF		
Diagnostic display	Error code (flashing)		
Mute Device indicators	OFF		

### 6.2 Recovery Procedures

To recover from a Lockout condition, all errors must be corrected and a single sensor reset sequence must be performed as described below.

#### 6.2.1 Emitter and Receiver Reset

Close the remote reset switch for 1/4 to 2 seconds and then open the switch (per [Reset Procedures](#) on page 54), or power the sensor down, wait a second or two, then power it up.



**NOTE:** If the receiver is set for latch output, a manual reset using a remote switch, as described in [Reset Procedures](#) on page 54, is required to resume full operation.



**WARNING:** Lockouts and Power Failures



Power failures and Lockout conditions are indication of a problem and must be investigated immediately by a Qualified Person. Attempts to continue to operate machinery by bypassing the Banner device or other safeguards is dangerous and may result in serious bodily injury or death.





**WARNING:** Shut Down Machinery Before Servicing




The machinery to which the Banner device is connected must not be operating at any time during major service or maintenance. This may require lockout/tagout procedures (refer to OSHA1910.147, ANSI Z244-1, ISO 14118 or the appropriate standard for controlling hazardous energy). Servicing the Banner device while the hazardous machinery is operational may result in serious bodily injury or death.


## 6.2.2 Emitter Error Codes







Diagnostic Display	Error Description	Cause of Error and Appropriate Action
	<p>Emitter Error</p> <p>This error can occur either due to excessive electrical noise or due to an internal failure.</p>	<ul style="list-style-type: none"> <li>Reset the emitter per <a href="#">Reset Procedures</a> on page 54.</li> <li>If the error clears, perform the daily checkout procedure (per EZ-SCREEN Checkout Procedures: Shift and Daily Checkout Procedure; Daily Checkout Card). If the System checks out, resume operation. If the System fails, replace the emitter.</li> <li>If the error continues, check the ground connection (see <a href="#">Cordsets</a> on page 75).</li> <li>If the sensor has a good earth ground connection, check for electrical noise (see <a href="#">Electrical and Optical Noise</a> on page 62).</li> <li>If the error persists, replace the emitter.</li> </ul>
	<p>Excessive Noise Error</p> <p>This error can occur due to excessive electrical noise.</p>	<ul style="list-style-type: none"> <li>Reset the emitter per <a href="#">Reset Procedures</a> on page 54.</li> <li>If the error clears, perform the daily checkout procedure (per EZ-SCREEN Checkout Procedures: Shift and Daily Checkout Procedure; Daily Checkout Card). If the System checks out, resume operation. If the System fails, replace the emitter.</li> <li>If the error continues, check the ground connection (see <a href="#">Cordsets</a> on page 75).</li> <li>If the sensor has a good earth ground connection, check for electrical noise (see <a href="#">Electrical and Optical Noise</a> on page 62).</li> <li>If the error persists, replace the emitter.</li> </ul>
<p>"Axx" / "cxx", where "xx" are alpha- numeric characters</p>	<p>Advanced Diagnostics for the purpose of factory troubleshooting and repair; not intended for field troubleshooting.</p>	<p>If advanced diagnostic codes are inadvertently displayed, toggle the Invert Display DIP switch (to the opposite state and back, within 1 second) to return to the standard error code display.</p>

## 6.2.3 Receiver Error Codes

Diagnostic Display	Error Description	Cause of Error and Appropriate Action
	<p>Output Error</p> <p>Error is caused by:</p> <ul style="list-style-type: none"> <li>one or both outputs being shorted to a power supply (high or low)</li> <li>by shorting OSSD 1 to OSSD 2</li> <li>by an overload (greater than 0.5A)</li> </ul>	<ul style="list-style-type: none"> <li>Disconnect the OSSD loads and reset the receiver.</li> <li>If the error clears, the problem is in the OSSD load(s) or in the load wiring.</li> <li>If the error continues with no load connected, replace the receiver.</li> </ul>
	<p>Reset Input Error</p> <p>This error occurs when the Reset switch is closed (or the wiring is shorted to +24V) during power-up.</p>	<ul style="list-style-type: none"> <li>Verify that the reset switch is in the open position.</li> <li>Reset the receiver per EZ-SCREEN Checkout Procedures: Shift and Daily Checkout Procedure.</li> <li>If the error remains, disconnect the reset wire at pin 8; cycle power.</li> <li>If the error clears, the problem is in the reset switch or in the wiring.</li> <li>If the error continues when the reset wire is disconnected, replace the receiver.</li> </ul>

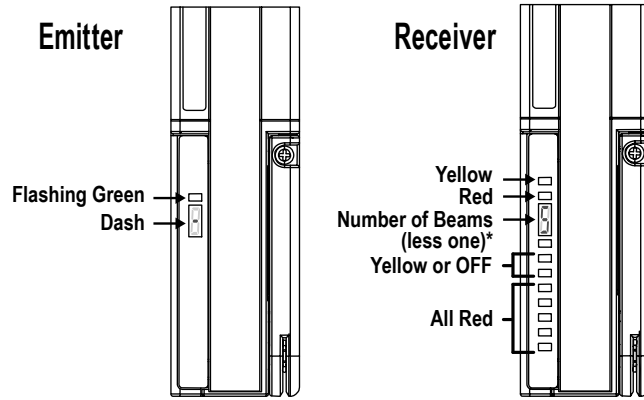
Diagnostic Display	Error Description	Cause of Error and Appropriate Action
	<p>Receiver Error</p> <p>This error can occur due to either excessive electrical noise or an internal failure.</p>	<ul style="list-style-type: none"> <li>Perform a reset per EZ-SCREEN Checkout Procedures: Shift and Daily Checkout Procedure.</li> <li>If the error clears, perform a Daily Checkout procedure (per EZ-SCREEN Checkout Procedures: Shift and Daily Checkout Procedure; Daily Checkout Card) and if OK, resume operation. If the System fails the Daily Checkout procedure, replace the receiver.</li> <li>If the error continues, check the ground connection (pin 7).</li> <li>If the sensor has a good earth ground connection to pin 7, perform the Initial Checkout procedure (per <a href="#">Reset Procedures</a> on page 54).</li> <li>If the error clears, check the external connections and configuration settings.</li> <li>If the error continues, replace the receiver.</li> </ul>
	<p>DIP Switch Error</p> <p>This error can be caused by incorrect DIP switch settings or by changes to the DIP switch settings when the system is ON.</p>	<ul style="list-style-type: none"> <li>Verify that the DIP switch settings are valid (per <a href="#">System Configuration Settings</a> on page 53). Make any corrections necessary and perform a receiver reset.</li> <li>If the error occurred due to a change of the DIP switch settings while the System was in Run mode, verify the switch settings and perform a receiver reset to resume operation with the new switch settings and modified System configuration.</li> <li>If the error continues, replace the receiver.</li> </ul>
	<p>EDM Error</p> <p>This error can occur due to EDM input signal failing to respond within 250 ms of the OSSDs changing state (ON to OFF).</p>	<ul style="list-style-type: none"> <li>Verify that the EDM wiring is correct and that the external devices meet the requirements described in <a href="#">Machine Primary Control Elements and EDM Input</a> on page 45.</li> <li>If the error continues, remove power to the guarded machine, disconnect the OSSD loads, disconnect the EDM input signals, configure EDM for No Monitoring (per <a href="#">Machine Primary Control Elements and EDM Input</a> on page 45) and conduct the Initial Checkout procedure in <a href="#">Remote Test Input</a> on page 10.</li> <li>If the error clears, the problem is in the External Device contacts or wiring, or is a response-time problem of the external devices. Verify that the EDM wiring is correct and that the external devices meet the requirements described in <a href="#">Machine Primary Control Elements and EDM Input</a> on page 45.</li> <li>If the error continues, check for noise on the EDM inputs (see <a href="#">Electrical and Optical Noise</a> on page 62).</li> </ul>

Diagnostic Display	Error Description	Cause of Error and Appropriate Action
	<p>Fixed Blanking Error</p> <p>This error occurs when beam(s) that have been blanked (programmed to ignore a fixed object) become clear when the object is removed or moved.</p>	<ul style="list-style-type: none"> <li>Reposition the object and perform a key reset (or cycle power).</li> <li>Re-program (teach) the fixed blanked object(s), see <a href="#">Fixed Blanking</a> on page 11 and <a href="#">Fixed Blanking</a> on page 41.</li> </ul>

Diagnostic Display	Error Description	Cause of Error and Appropriate Action
	<p>Programming Timeout Error</p> <p>This error occurs when the Fixed Blanking programming mode (teach) or Mute Configuration programming modes exceeds the ten-minute limit.</p>	<ul style="list-style-type: none"> <li>Re-program (teach) the fixed blanked object(s), see <a href="#">Fixed Blanking</a> on page 11 and <a href="#">Fixed Blanking</a> on page 41.</li> <li>Re-program the mute configuration, see <a href="#">Muting Functions</a> on page 12 and <a href="#">Mute Configuration</a> on page 39.</li> </ul>
	Muting Device Input Error	<ul style="list-style-type: none"> <li>Verify the Muting Device Input(s) are not shorted together or to another source of power or ground.</li> </ul>
	Bypass/Override Error	<ul style="list-style-type: none"> <li>Verify the Override Input(s) are not active upon power-up or when exiting a lockout condition.</li> <li>Verify the Override Input(s) are not active when muting ends.</li> </ul>
	Mute Lamp Error	<ul style="list-style-type: none"> <li>Check/replace the lamp as a short or open has been detected in the mute lamp circuit.</li> <li>Verify the DIP switch setting is as desired.</li> </ul>
	<p>Excessive Noise Error – Reset Interface</p> <p>This error can occur due to excessive levels of electrical noise.</p>	<ul style="list-style-type: none"> <li>Perform a reset per <a href="#">Reset Procedures</a> on page 54.</li> <li>If the error clears, perform the daily checkout procedure (per EZ-SCREEN Checkout Procedures: Shift and Daily Checkout Procedure; Daily Checkout Card) and if OK, resume operation. If the System fails the Daily Checkout procedure, replace the receiver.</li> <li>If the error continues, check the ground connection (pin 7).</li> <li>If the sensor has a good earth ground connection to pin 7, perform the Initial Checkout procedure ( <a href="#">Trip Test</a> on page 42).</li> <li>If the error clears, check for sources of electrical noise (see <a href="#">Electrical and Optical Noise</a> on page 62).</li> <li>If the error continues, replace the receiver.</li> </ul>
	<p>Excessive Noise Error – EDM Interface</p> <p>This error can occur due to excessive levels of electrical noise.</p>	
"Axx" / "bxx" /"Fxx", where "xx" are alpha-numeric characters	Advanced Diagnostics for the purpose of factory troubleshooting and repair; not intended for field troubleshooting.	If advanced diagnostic codes are inadvertently displayed, toggle the Invert Display DIP switch (to the opposite state and back, within 1 second) to return to the standard error code display.

## 6.2.4 Test Mode

If System will not align or go to a Green/Clear condition, the emitter's Test input may be open. If so, the receiver Reset indicator will be Yellow, all Zone indicators Red, and the Status LED Red; the 7-segment display will show a numerical value equal to the total number of beams, minus one. (Multiple-digit codes are displayed sequentially.) For example, if an array has 55 beams total, the display would indicate 54. The emitter's Status indicator will flash Green. See [Status Indicators](#) on page 55 and [Receiver Error Codes](#) on page 59.



\*The 7-segment display will sequentially show a numerical value equal to one less than the total number of beams. For example, if an array has 55 beams total, the display would indicate 54.

Figure 35. Test Mode

Opening a switch or relay contacts connected to the emitter Test connections, or supplying a voltage of less than 3 V dc to Test only, simulates a Blocked condition, for testing purposes. To verify proper operation, measure the voltage between emitter Test (pin 8, violet) and dc COM (pin 6, blue) and refer to the following table:

Supply Voltage	Other Conditions	Appropriate Action
10 to 30 V dc	Emitter should be in Run mode with beam scanning condition	If not, check the +24 V dc (pin 1, brown) to verify proper supply voltage
Outside the rated supply voltage specifications	-	Correct the supply voltage and recheck emitter operation
10 to 30 V dc	Test1 is 10 to 30 V dc, but emitter is not in Run mode with beam scanning	Replace the emitter
Less than 3 V dc	Emitter should be in Test mode with no scanning occurring	If not in Test mode, replace the emitter.

## 6.3 Electrical and Optical Noise

The EZ-SCREEN LPM is designed and manufactured to be highly resistant to electrical and optical noise and to operate reliably in industrial settings. However, serious electrical and/or optical noise may cause a random Trip or Latch condition. In very extreme electrical noise cases, a Lockout is possible. To minimize the effects of transitory noise, the EZ-SCREEN LPM responds to noise only if the noise is detected on multiple consecutive scans.

If random nuisance Trips occur, check the following:

- Poor connection between the sensor and earth ground
- Optical interference from adjacent light screens or other photoelectrics
- Sensor input or output wires routed too close to "noisy" wiring

### 6.3.1 Sources of Electrical Noise

Checking for sources of electrical noise: It is very important that the light screen sensors have a good earth ground. Without this, the System can act like an antenna and random Trips and Lockouts can occur.

All EZ-SCREEN LPM wiring is low voltage; running these wires alongside power wires, motor/servo wires, or other high-voltage wiring, can inject noise into the EZ-SCREEN LPM System. It is good wiring practice (and may be required by code) to isolate EZ-SCREEN LPM wires from high-voltage wires.

The Banner model BT-1 Beam Tracker (see [Alignment Aids](#) on page 86 ) is a very good tool for detecting electrical noise. It can be used to detect electrical transient spikes and surges. Cover the lens of the BT-1 with electrical tape to block optical light from entering the receiver lens. Press the “RCV” button on the BT-1 and position the Beam Tracker on the wires going to the EZ-SCREEN LPM or any other nearby wires. Noise caused by the switching of inductive loads should be addressed by installing proper transient suppression across the load.

### 6.3.2 Sources of Optical Noise

Checking for sources of optical noise: Turn off the emitter, completely block the emitter, or open the Test input, then use a Banner BT-1 Beam Tracker (see [Alignment Aids](#) on page 86 ) to check for light at the receiver. Press the “RCV” button on the BT-1 and move it across the full length of the receiver’s sensing window. If the BT-1’s indicator lights, check for emitted light from other sources (other safety light screens, screens or points, or standard photoelectric sensors).

## 6.4 Servicing and Maintenance

---

### 6.4.1 Cleaning

EZ-SCREEN LPM emitters and receivers are constructed of aluminum with a yellow painted finish and are rated IP65. Lens covers are acrylic. Emitters and receivers are best cleaned using mild detergent or window cleaner and a soft cloth. Avoid cleaners containing alcohol, as they may damage the acrylic lens covers.

### 6.4.2 Warranty Service

Contact Banner Engineering for troubleshooting of this device. Do not attempt any repairs to this Banner device; it contains no field-replaceable components. If the device or a device component is determined to be defective by a Banner Applications Engineer, they will advise you of Banner’s RMA (Return Merchandise Authorization) procedure.



**Important:** If instructed to return the device, pack it with care. Damage that occurs in return shipping is not covered by warranty.

### 6.4.3 Manufacturing Date

Every EZ-SCREEN LPM produced is marked with a code that defines the week of manufacture and manufacturing location.

The code format (U.S. Standard format) is:

YYWWL

- YY = year of manufacture, 2 digits
- WW = week of manufacture, 2 digits
- L = manufacturing location, 1 digit

Example: 1135H = 2011, week 35, Huron

### 6.4.4 Disposal

Devices that are no longer in use should be disposed of according to the applicable national and local regulations.

## 7 Checkout Procedure Schedule

This section lists the schedule of checkout procedures and describes where each procedure is documented. Checkouts must be performed as described. Results should be recorded and kept in the appropriate place (for example, near the machine, and/or in a technical file).

### 7.1 Schedule of Checkouts

Checkout cards and this manual can be downloaded at <http://www.bannerengineering.com>.

Checkout Procedure	When to Perform	Where to Find the Procedure	Who Must Perform the Procedure
Trip Test	<ul style="list-style-type: none"> <li>At Installation</li> <li>Any time the System, the guarded machine, or any part of the application is altered.</li> </ul>	<i>Trip Test</i> on page 42	Qualified Person
Commissioning Checkout	<ul style="list-style-type: none"> <li>At Installation</li> <li>Whenever changes are made to the System (for example, either a new configuration of the EZ-SCREEN LPM or changes to the guarded machine).</li> </ul>	<i>Commissioning Checkout</i> on page 46	Qualified Person
Shift/Daily Checkout	<ul style="list-style-type: none"> <li>At each shift change</li> <li>Machine setup change</li> <li>Whenever the System is powered up</li> </ul> <p>During continuous machine run periods, this checkout should be performed at intervals not to exceed 24 hours.</p>	Daily Checkout Card (Banner p/n 150217)  A copy of the checkout results should be recorded and kept in the appropriate place (for example, near or on the machine, in the machine's technical file).	Designated Person or Qualified Person
Semi-Annual Checkout	Every six months following System installation, or whenever changes are made to the System (either a new configuration of the EZ-SCREEN LPM or changes to the machine).	Semi-Annual Checkout Card (Banner p/n 150218)  A copy of the checkout results should be recorded and kept in the appropriate place (for example, near or on the machine, in the machine's technical file).	Qualified Person



## 8 Typical Muting Applications

### 8.1 Entry/Exit Applications

The muting devices must be placed to ensure that the points that trigger the mute's start and end are very close to the safety light screen's sensing field. This prevents personnel from following, or being pushed by, the object into the hazardous area without interrupting the safety light screen before the mute window opens or at the time the mute window closes.

When two pairs of opposed-mode photoelectrics are used as muting devices, as shown below, the crossing point of the two sensing paths must be on the hazardous side of the safety light screen. The safety light screen will be interrupted before any personnel would be able to block both beams and mute the system. The devices should detect the material and not the pallet or the transport in order to hinder an individual from riding into the hazardous area.

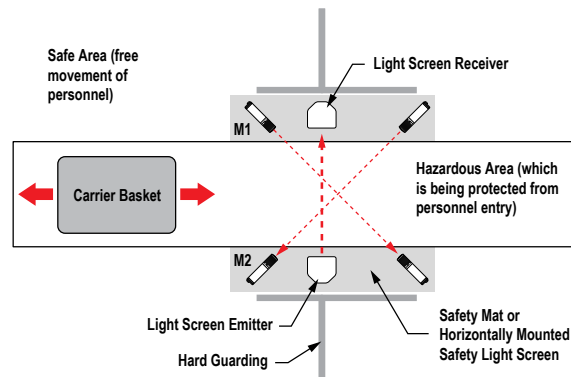


Figure 36. "X"-Pattern Entry/Exit system using two pairs of opposed-mode photoelectric muting devices

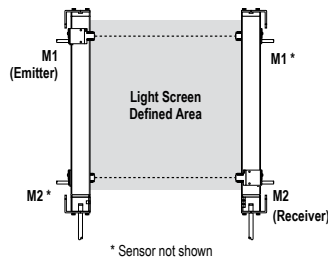


Figure 37. Horizontal photoelectric muting devices placed at different heights

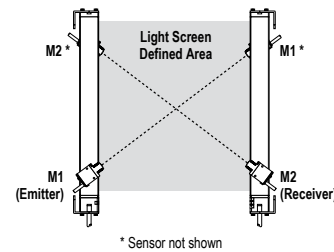


Figure 38. Photoelectric muting devices placed diagonally



**WARNING:** It must not be possible for an individual to block both photoelectric beams

(e.g. dashed diagonal lines in Figure 30) and initiate a mute condition. Check the installation to verify that unintentional muting is not possible. The "crossing point" of the photoelectric beams must be located in the hazardous area and not be accessible to personnel (by reaching over, under, through, or around).

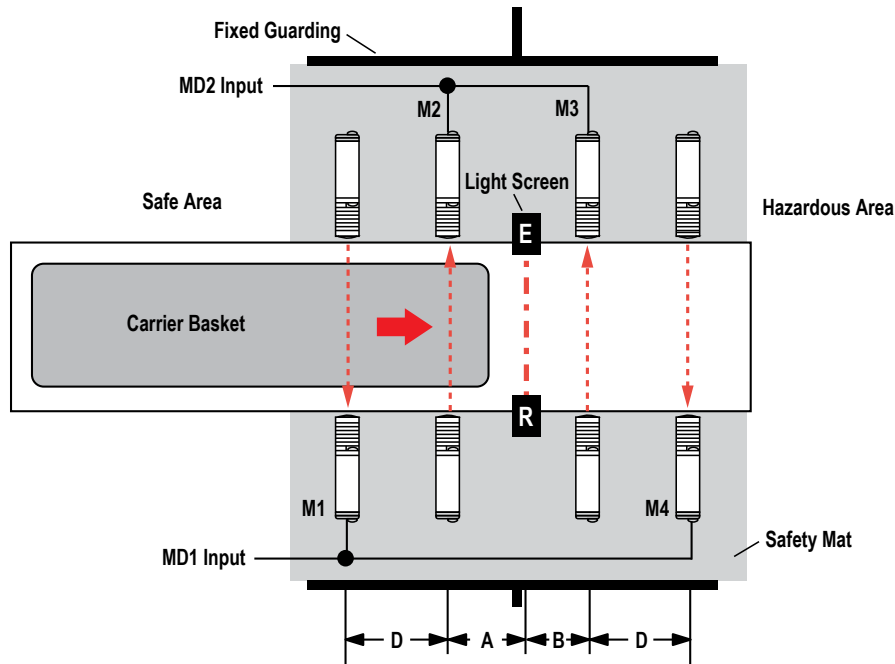


Figure 39. Entry/Exit Application using four pairs of opposed-mode photoelectric sensors for mute devices

$A \geq \text{Line speed (ft/sec)} \times 0.1 \text{ sec.}$

$B \geq \text{Line speed (ft/sec)} \times 0.5 \text{ sec.}$  if receiver Sync Beam (Beam 1) is blocked

$B \geq \text{Line speed (ft/sec)} \times 0.1 \text{ sec.}$  if receiver Non-sync Beam is blocked

Length of carrier basket  $> A + B + (D \times 2)$   
 (NOTE: M4 must be blocked before M1 clears.)

$D < \text{Line speed (ft/sec)} \times 3.0 \text{ sec.}$ , but beams M1 and M2 must be far enough apart to prevent an individual from triggering both sensors simultaneously.



CAUTION: Four Mute Device Applications When four mute devices are used, a maximum mute time limit should be configured. Mute options 2, 4, or 6 should be used with a maximum mute time of 60 seconds.



CAUTION: The Mute Enable function should be used to enforce one-way muting when four muting devices are used.



WARNING: In all applications, it must not be possible for personnel to walk in front of, behind, or next to the muted object (e.g., the carrier basket) without being detected and stopping the hazardous motion. Supplemental safeguarding must be used to prevent personnel from entering the hazardous area during a mute condition.

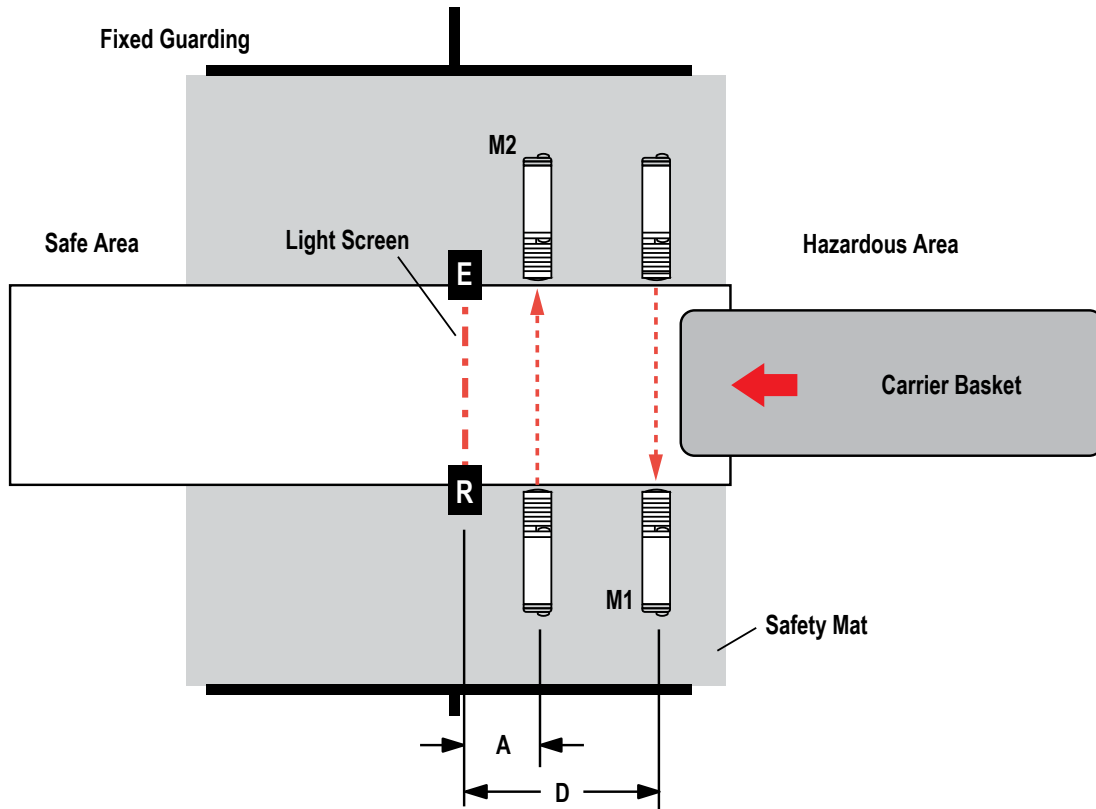


Figure 40. Exit Application with 1-Way Muting using two opposed-mode sensors (Configurations #7 and #8)

$A \geq \text{Line speed (ft/sec)} \times 0.1 \text{ sec.}$

$D < \text{Line speed (ft/sec)} \times 4.0 \text{ sec.}$

Length of carrier basket  $> D$



NOTE: Light screen must be blocked before M1 clears.

## 8.2 Home or Station Applications

The muting devices must be placed to ensure that the safety light screen is muted only when the hazard does not exist or is in another area so that personnel are not exposed. The muting devices must be placed so that if a hazard arises, or the hazard enters the safeguarded area, the mute will immediately end and the safeguard will be active once again.

In “home position” muting applications, the light screen is active only while motion is taking place or a hazard is present, such as the closing of an automated door. In this example, the door is interlocked and the machine can not start until the opening is completely closed. The hazard being guarded by the light screen is the pinch point caused by the door closing.

M3 and M4 could be two SI-QS75MC safety switches, each with a single safety contact used for the muting input. M1 and M2 could be SI-QS90MF safety switches, each with two safety contacts (one for muting and one for interlocking) and one monitoring contact for a logic input.

If the light screen is also guarding hazards within the enclosure when the door is open or preventing cycle initiation, then switches M3 and M4 would not be used. The door could also be “locked” by using locking style safety switches, such as the SI-QM100 or SI-LS42 as M1 and M2.

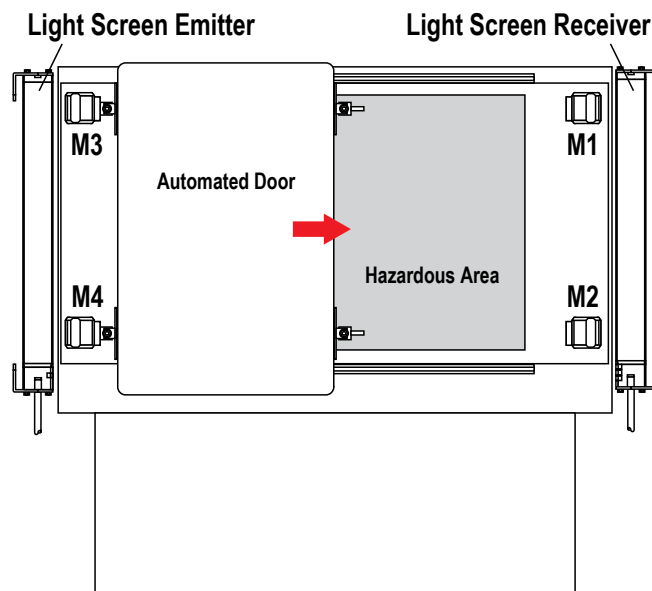


Figure 41. A “home position” (door) muting application, using 4 safety switches as muting devices



**WARNING:** User is Responsible for Safe Application of this Product

The muting application examples described in Appendix B depict generalized guarding situations. Every guarding application has a unique set of requirements.

Extreme care is urged to ensure that all legal requirements are met and that all installation instructions are followed. In addition, any questions regarding safeguarding should be directed to the factory applications department at the number or addresses listed on the front cover.

### 8.3 Robot Load/Unload Station Application

This “station” muting application uses two independent safety light screen circuits, each with its own muting circuit and muting devices (e.g. polarized-retroreflective photoelectrics). The application also includes run bars with two-hand control, auxiliary controls, and E-Stop. The two-hand control is provided at each station to safeguard the operator during the momentary clamping action of the fixture while the safety light screen is muted.

In this example, the safety light screens are angled outwards (see Figure 35, detail A). This provides proper separation distance from the hazards created by the robot and the clamping/welding fixtures, while protecting against the possibility of pass-through hazards. In muting applications involving an operator, the operator must be continually detectable by the defined area. This ensures that if a hazard arises, causing the mute to end while the operator is present, the safety light screen will immediately issue a stop.

While the robot is at station “A”, the light screen at station “B” is muted (M1B and M2B are active), allowing the operator to load or unload without issuing a stop command to the robot. As the robot moves out of the “A” work envelope (as defined by Station “B” mute devices, see detail B) the mute discontinues at station “B”. If the operator is still within the protected area, a stop command is immediately issued. As the robot moves to the work envelope of station “B”, the mute devices M1A and M2A activate and mute the safety light screen at station “A.”

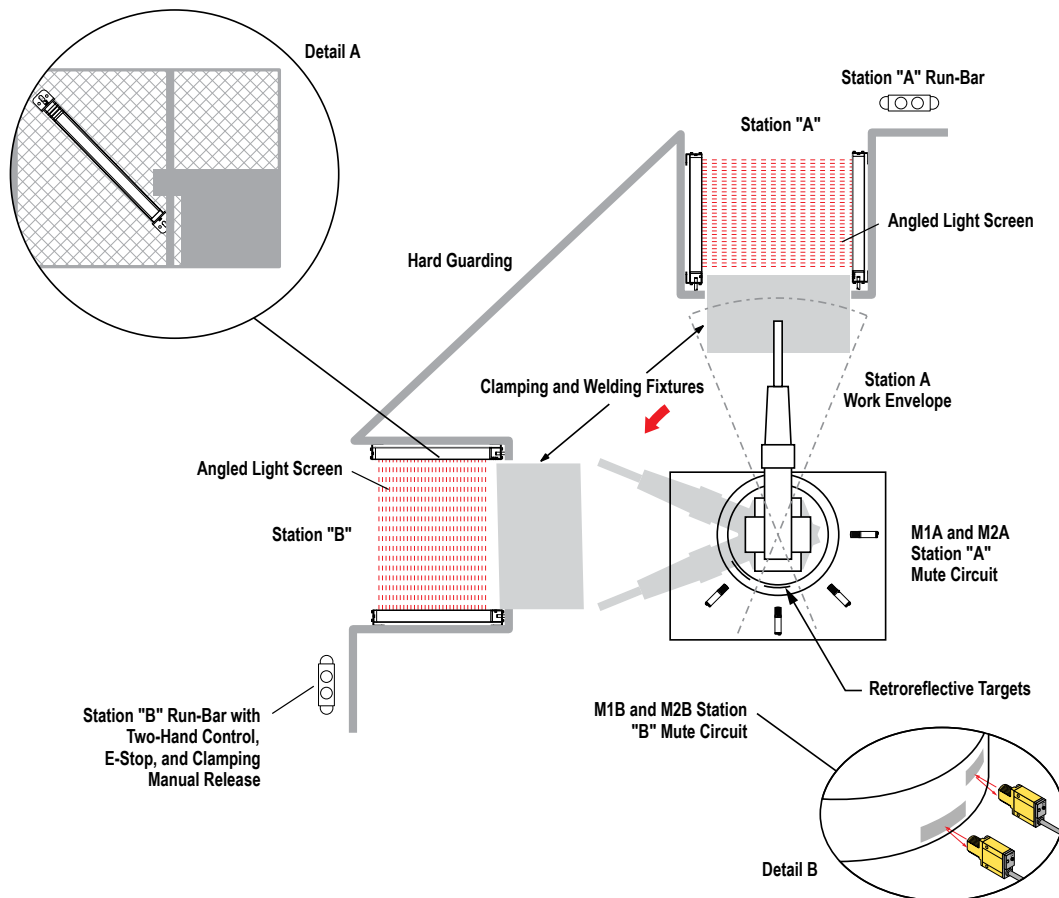


Figure 42. A robot load/unload application with two-station home-position muting, using polarized retroreflective photoelectrics as muting devices

## 8.4 Turret Table Application

“Turret Table” application is similar to the Robot Load/Unload Station muting application, except that any movement of the table ends the mute. To accomplish this, small retroreflective targets (or tape) are positioned so that they will initiate the mute (the sensors must be set to “Light Operate”) only after the table has finished indexing. (NOTE: The example shows four pairs of targets, one pair for each position.)

When the table begins indexing again, the polarized retroreflective photoelectrics immediately “lose sight” of the targets and end the mute. Since the rotation of the table is the hazard, the size and positioning of the targets must prevent muting while motion is taking place.

The top of the emitter and receiver are angled outwards to maintain proper separation distance while preventing a pass-through hazard. Hard guarding, or other safeguarding, must be positioned to prevent personnel from reaching through and accessing any hazard.

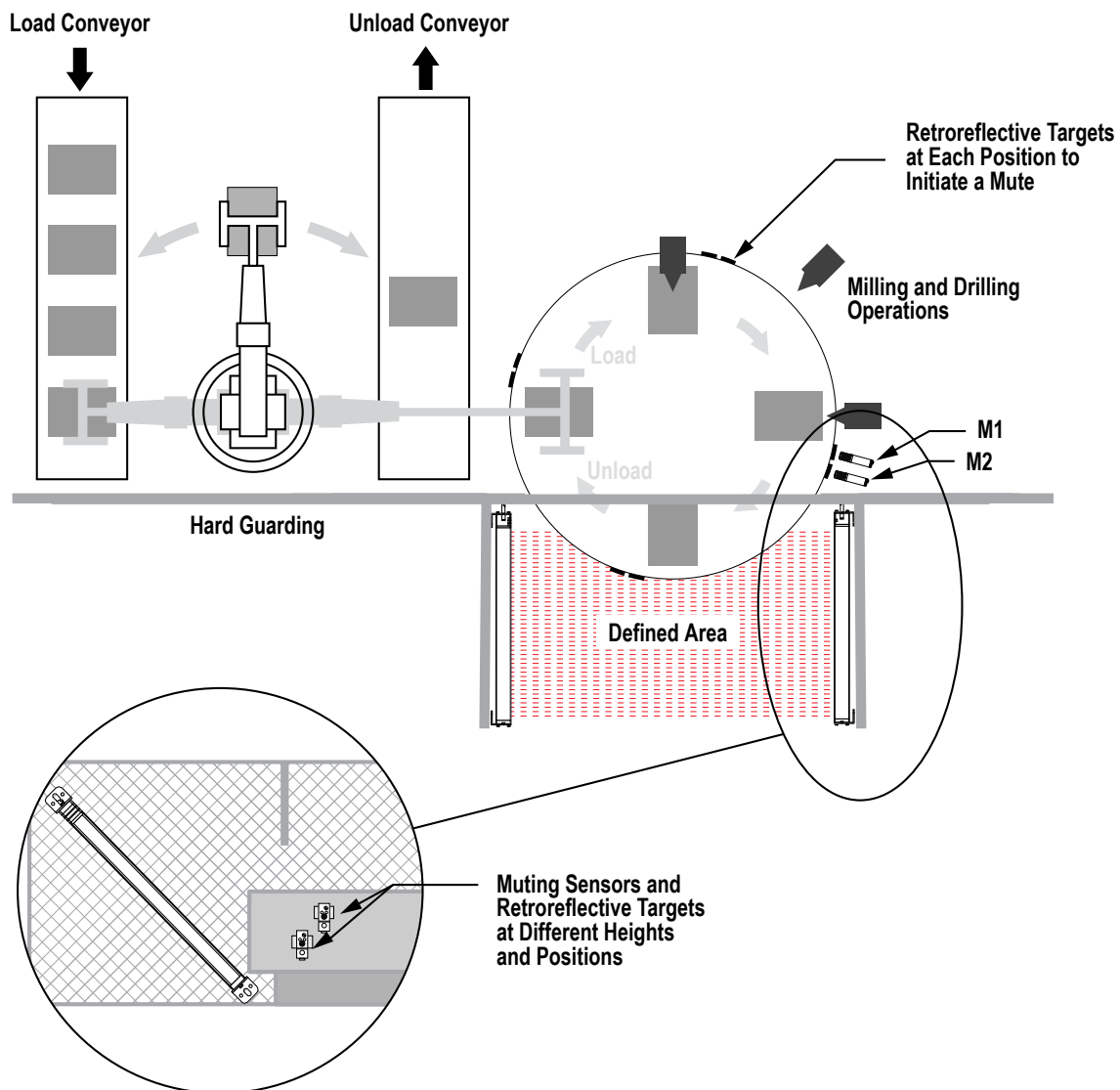


Figure 43. A typical application for turret table inspection or operation station muting, using retroreflective photoelectric sensors as muting devices

## 8.5 Power Press Applications

Muting is allowed on power presses only during the nonhazardous portion of the cycle (e.g. the upstroke), per OSHA1910.217, ANSI B11.1, B11.2, and B11.3. The mute permits the insertion or removal of material into the press that would otherwise block the sensing field of the safety light screen, causing the press to stop. Muting should not be confused with “Inch” or “Jog” modes, whose manual selection may bypass the safety light screen within the machine control.

For the proper application of muting on a power press, at a minimum, two (or four) independent position switches (such as cam-operated limit switches, inductive prox sensors, or pressure switches) must be used to initiate the mute during the nonhazardous portion of the machine cycle. These position switches would be mute devices M1/M2 (and M3/M4 if used). Typically, these switches have normally open contacts, which are held (or actuated) closed during the mute cycle.

These switches must be mounted separately to prevent misadjustment, misalignment, or a single common mode failure, which would result in an improper mute cycle or otherwise unsafe condition. They must be installed so that they can not be easily defeated or bypassed, and their adjustment should be under supervisory control.

The two (or four) muting devices must be properly adjusted (or positioned) so that they close only after the hazard no longer exists and then open when the cycle is complete (top of stroke) or when the hazard is again present. If improperly adjusted or positioned, injury or death could result.

If the machine has reversing capability where a hazard is possible during a muted condition, the control must include an automatic means through which muting is permitted in the forward (non-hazardous) direction only. A “Mute Enable” signal from the machine control, motor drive, or other machine logic, is a means to assist in meeting this requirement.

In muting applications involving an operator, all pass-through hazards must be eliminated so that the operator is continually detected when in the defined area. This ensures that if a hazard arises, causing the mute cycle to end while the operator is present, the safety light screen will immediately issue a stop. (See pass-through hazard information below.)

A “pass-through hazard” is associated with applications that allow personnel to pass through a safeguard, which removes or stops the hazard(s), and then allows the individual to continue into the hazardous area. Subsequently the individual's presence is no longer detected, and the safeguard can not prevent the start or restart of the machine. A pass-through can be created by as little as 75 mm (3”) space between the defined area and machine frame. If the safety light screen is muted while the individual passes through the defined area, a stop command will not be issued and the hazard cannot be eliminated; the individual must be detected while entering the safeguarded area and the hazardous motion must stop immediately. This is typically accomplished by supplemental safeguarding such as described in ANSI B11 standards or other appropriate standards.



### WARNING: User Responsibility

The user is responsible for ensuring that all local, state, and national laws, rules, codes, and regulations relating to the use of this device in any particular application are satisfied. Make sure that all legal requirements have been met and that all installation, operation, and maintenance instructions contained in the device documentation are followed.

## 9 Specifications and Accessories

### 9.1 Standard Emitter and Receiver Models—14 mm Resolution

Pigtail QD Emitter models require mating cordsets with an 8-pin M12/Euro-style connector such as QDE-8..D.

Pigtail QD Receiver models require mating cordsets with a 12-pin M12/Euro-style connector such as QDE-12..D.

Integral RD models require mating cordsets with a removable disconnect connector such as RDLP-8..D (Emitters) or RDLP-11..E (Receivers).

Defined Area	Models			Response Time	# Beams
	Emitter	Receiver	Pair <sup>10</sup>		
410 mm	SLPE14-410P8	SLPMR14-410P12	SLPMP14-410P128	13.5 ms	41
	SLPE14-410	SLPMR14-410	SLPMP14-410		
550 mm	SLPE14-550P8	SLPMR14-550P12	SLPMP14-550P128	16.5 ms	55
	SLPE14-550	SLPMR14-550	SLPMP14-550		
690 mm	SLPE14-690P8	SLPMR14-690P12	SLPMP14-690P128	19.5 ms	69
	SLPE14-690	SLPMR14-690	SLPMP14-690		
830 mm	SLPE14-830P8	SLPMR14-830P12	SLPMP14-830P128	22.5 ms	83
	SLPE14-830	SLPMR14-830	SLPMP14-830		
970 mm	SLPE14-970P8	SLPMR14-970P12	SLPMP14-970P128	25.5 ms	97
	SLPE14-970	SLPMR14-970	SLPMP14-970		
1110 mm	SLPE14-1110P8	SLPMR14-1110P12	SLPMP14-1110P128	28.5 ms	111
	SLPE14-1110	SLPMR14-1110	SLPMP14-1110		
1250 mm	SLPE14-1250P8	SLPMR14-1250P12	SLPMP14-1250P128	31.5 ms	125
	SLPE14-1250	SLPMR14-1250	SLPMP14-1250		
1390 mm	SLPE14-1390P8	SLPMR14-1390P12	SLPMP14-1390P128	34.5 ms	139
	SLPE14-1390	SLPMR14-1390	SLPMP14-1390		
1530 mm	SLPE14-1530P8	SLPMR14-1530P12	SLPMP14-1530P128	37.5 ms	153
	SLPE14-1530	SLPMR14-1530	SLPMP14-1530		
1670 mm	SLPE14-1670P8	SLPMR14-1670P12	SLPMP14-1670P128	40.5 ms	167
	SLPE14-1670	SLPMR14-1670	SLPMP14-1670		
1810 mm	SLPE14-1810P8	SLPMR14-1810P12	SLPMP14-1810P128	43.5 ms	181
	SLPE14-1810	SLPMR14-1810	SLPMP14-1810		

<sup>10</sup> A pair includes an emitter and a receiver



## 9.2 Standard Emitter and Receiver Models—25 mm Resolution

Pigtail QD Emitter models require mating cordsets with an 8-pin M12/Euro-style connector such as QDE-8..D.

Pigtail QD Receiver models require mating cordsets with a 12-pin M12/Euro-style connector such as QDE-12..D.

Integral RD models require mating cordsets with a removable disconnect connector such as RDLP-8..D (Emitters) or RDLP-11..E (Receivers).

Defined Area	Models			Response Time	# Beams
	Emitter	Receiver	Pair <sup>11</sup>		
410 mm	SLPE25-410P8	SLPMR25-410P12	SLPMP25-410P128	9.5 ms	21
	SLPE25-410	SLPMR25-410	SLPMP25-410		
550 mm	SLPE25-550P8	SLPMR25-550P12	SLPMP25-550P128	11 ms	28
	SLPE25-550	SLPMR25-550	SLPMP25-550		
690 mm	SLPE25-690P8	SLPMR25-690P12	SLPMP25-690P128	12.5 ms	35
	SLPE25-690	SLPMR25-690	SLPMP25-690		
830 mm	SLPE25-830P8	SLPMR25-830P12	SLPMP25-830P128	14 ms	42
	SLPE25-830	SLPMR25-830	SLPMP25-830		
970 mm	SLPE25-970P8	SLPMR25-970P12	SLPMP25-970P128	15.5 ms	49
	SLPE25-970	SLPMR25-970	SLPMP25-970		
1110 mm	SLPE25-1110P8	SLPMR25-1110P12	SLPMP25-1110P128	17 ms	56
	SLPE25-1110	SLPMR25-1110	SLPMP25-1110		
1250 mm	SLPE25-1250P8	SLPMR25-1250P12	SLPMP25-1250P128	18.5 ms	63
	SLPE25-1250	SLPMR25-1250	SLPMP25-1250		
1390 mm	SLPE25-1390P8	SLPMR25-1390P12	SLPMP25-1390P128	20 ms	70
	SLPE25-1390	SLPMR25-1390	SLPMP25-1390		
1530 mm	SLPE25-1530P8	SLPMR25-1530P12	SLPMP25-1530P128	21 ms	77
	SLPE25-1530	SLPMR25-1530	SLPMP25-1530		
1670 mm	SLPE25-1670P8	SLPMR25-1670P12	SLPMP25-1670P128	22.5 ms	84
	SLPE25-1670	SLPMR25-1670	SLPMP25-1670		
1810 mm	SLPE25-1810P8	SLPMR25-1810P12	SLPMP25-1810P128	24 ms	91
	SLPE25-1810	SLPMR25-1810	SLPMP25-1810		

<sup>11</sup> A pair includes an emitter and a receiver

## 9.3 Specifications

### 9.3.1 General Specifications

#### Short Circuit Protection

All inputs and outputs are protected from short circuits to +24V dc or dc common

#### Electrical Safety Class

III (per IEC 61140: 1997)

#### Safety Rating

Type 4 per IEC 61496-1, -2  
Category 4 PL e per EN ISO13849-1  
SIL3 per IEC 61508; SIL CL3 per IEC 62061

#### Operating Range

0.1 m to 7 m (4 in to 23 ft) — Range decreases with use of mirrors and/or lens shields:

- Lens shields — approx 10% less range per shield
- Glass-surface mirrors — approx 8% less range per mirror

See the specific mirror datasheet for more information.

#### Resolution

14 mm or 25 mm, depending on model (Reduced Resolution OFF)

#### Effective Aperture Angle (EAA)

Meets Type 4 requirements per IEC 61496-2, Section 5.2.9  
±2.5° at 3 m

#### Operating Conditions

Temperature: 0 °C to +55 °C (+32 °F to +131 °F)  
Humidity: 95% maximum relative humidity (non-condensing)

#### Enclosure

Extruded aluminum housing with yellow polyester powder finish standard and well-sealed, rugged die-cast zinc end caps, acrylic lens cover, copolyester access cover

#### Environmental Rating

IEC IP65

#### Shock and Vibration

Components have passed vibration and shock tests according to IEC 61496-1. This includes vibration (10 cycles) of 10-55 Hz at 0.35 mm (0.014 in) single amplitude (0.70 mm peak-to-peak) and shock of 10 g for 16 milliseconds (6,000 cycles).

#### Mounting Hardware

Emitter and receiver each are supplied with a pair of swivel end-mounting brackets and two swivel side-mount brackets. Models longer than 690 mm also include additional side-mount bracket(s) for center support. Mounting brackets are 8-gauge cold-rolled steel, black zinc finish.

#### Cables and Connections

See [Cordsets](#) on page 75 for recommended cables. If other cables are used with the EZ-SCREEN LPM, the user must verify suitability of these cables for each application.

#### Certifications



www.bannerengineering.com M/N: SLPMR14-410P12 S/N: E02102831509901133  
RANGE: 0.1 - 7m TEMPERATURE RATING: 0 to 55° C ENCLOSURE RATING: IP65  
RESOLUTION (RED. RES. OFF/ON): 14 mm / 34 mm EFFECTIVE APERTURE ANGLE: ≤2.5° at 3m  
SAFETY RATING: Type 4 per IEC 61496, EN ISO 13849-1, Cat. 4 PL e, SIL 3 per IEC 61508

SUPPLY: 24V dc +/- 15%, 0.160A dc max.  
DEFINED AREA: 410mm  
RESPONSE TIME: 13.5 ms  
OSSD RATING: I<sub>max</sub> = 0.6A; Von > Vin - 1.5 Vdc



150990  
1133H

### 9.3.2 Emitter Specifications

#### Supply Voltage at the Device

24V dc ±15% (use a SELV-rated power supply according to EN IEC 60950). The external voltage supply must be capable of buffering brief mains interruptions of 20 ms, as specified in IEC/EN 60204-1.

#### Residual Ripple

± 10% maximum

#### Supply Current

60 mA max. exclusive of Fault Out load

#### Fault Output Switching Capacity

Current-sourcing (PNP) solid-state output, 24V dc at 250 mA max.

#### Status Indicators

One bi-color (Red/Green) Status Indicator: indicates operating mode, lockout or power OFF condition  
7-Segment Diagnostic indicator (1 digit): indicates proper operation, scan code, or error code

#### Remote Test Input

Test mode is activated either by applying a low signal (less than 3V dc) to emitter Test/Reset terminal for a minimum of 50 milliseconds, or by opening a switch connected between Test/Reset and +24V dc for a minimum of 50 milliseconds. Beam scanning stops to simulate a blocked condition. A high signal at Test/Reset deactivates Test mode.

High Signal: 10 to 30V dc

Low Signal: 0 to 3V dc

Input Current: 35 mA inrush, 10 mA max.

#### Controls and Adjustments

Scan Code Selection: 2-position switch (code 1 or 2). Factory default position is code 1.

Test/Reset: 2-position switch. Factory default position is Reset.

Invert Display: 2-position switch. Factory default position is OFF (standard display).

Fault: 2-position switch. Factory default position is OFF.

## 9.3.3 Receiver Specifications

### Supply Voltage at the Device

24V dc  $\pm 15\%$  (use a SELV-rated power supply according to EN IEC 60950). The external voltage supply must be capable of buffering brief mains interruptions of 20 ms, as specified in IEC/EN 60204-1.

### Residual Ripple

$\pm 10\%$  maximum

### Supply Current (no load)

150 mA max., exclusive of OSSD1 and OSSD2 loads (up to additional 0.5 A each) and Aux Out load (up to 0.25 A)

### Response Time

Dependent on number of sensing beams; see models table for number of beams and response time.

### EDM Input

+24V dc signals from external device contacts can be monitored (one-channel or no monitoring) via EDM1 terminal in the receiver.

High Signal: 10 to 30V dc at 30 mA typical

Low Signal: 0 to 3V dc

### Recovery Time

Blocked to Clear (OSSDs turn ON; varies with total number of sensing beams and whether Sync beam is blocked):

	Beam 1 (Sync Beam)	All Other Beams
14 mm Models	109 ms to 800 ms	33 ms to 220 ms
25 mm Models	81 ms to 495 ms	25 ms to 152 ms

### Reset Input

Reset input must be high for  $\frac{1}{4}$  to 2 seconds and then low to reset the receiver

High Signal: 10 to 30V dc at 30 mA typical

Low Signal: 0 to 3V dc

Closed Switch Time:  $\frac{1}{4}$  to 2 seconds

### Mute Lamp Output

A monitored or non-monitored (selectable), current-sourcing (PNP), solid-state output

Rated Current: 10 mA to 360 mA at 24V dc

### External Remote Indicator Outputs

Current sourcing (PNP), solid-state, 24 Vdc outputs for the connection of remote indicator lamps such as EZ-LIGHTs. See [EZ-LIGHT® for EZ-SCREEN® Low Profile with Muting](#) on page 83 for compatible EZ-LIGHTs and associated cordsets.

Rated Current: 100 mA maximum at 24 Vdc

### Output Signal Switching Devices (OSSDs)

Two redundant solid-state 24V dc, 0.5 A max. sourcing OSSD (Output Signal Switching Device) safety outputs. (Use optional interface modules for ac or larger dc loads.) Capable of the Banner "Safety Handshake".

ON-State voltage:  $\geq V_{in} - 1.5V$  dc

OFF-State, maximum allowed voltage: 1.7V dc max.

Max. load capacitance: 1.0  $\mu$ F

Min. load inductance: 10 H

Leakage Current: 0.50 mA max.

OSSD test pulse width: 100 to 300 microseconds typical

OSSD test pulse period: 10 ms to 22 ms (varies with number of beams)

Switching Current: 0 to 0.5 A

### Auxiliary Output Switching Capacity (OSSD/Fault)

Current-sourcing (PNP) solid-state output, 24V dc at 250 mA max.

### Controls and Adjustments

Scan Code selection: 2-position switch (code 1 or 2). Factory default position is code 1

Trip/Latch Output selection: Redundant switches. Factory default position is T (trip).

Mute Lamp Monitoring: ON/OFF switch. Factory default position is ON.

Reduced Resolution: Redundant switches. Factory default position is OFF.

Aux./Fault: 2-position switch. Factory default position is Aux.

Invert Display: 2-position switch. Factory default position is OFF (standard display).

### Status Indicators

Yellow Reset Indicator: indicates whether the System is ready for operation or requires a reset

Bi-color (Red/Green) Status indicator: indicates general system and output status

Bi-color (Red/Green) Zone Status indicators: indicate condition (clear or blocked beam) of a defined group of beams

7-Segment Diagnostic indicator (1 digit): indicates proper operation, scan code, error code, or total number of blocked beams

7-Segment Diagnostic indicator (3 digits): indicates proper operation, scan code, error code, or total number of blocked beams

Yellow Mute Device Input Indicators: indicates status of mute device inputs

### Ambient Light Immunity

10,000 lux at 5° angle of incidence

### Strobe Light Immunity

Totally immune to one Federal Signal Corp. "Fireball" model FB2PST strobe

## 9.4 Accessories

Additional interfacing solutions and accessories continue to be added; refer to <http://www.bannerengineering.com> for a current list.

### 9.4.1 Cordsets

Machine interface cordsets provide power to the emitter/receiver pair. Cordsets have yellow PVC cables and black overmolds.

A removable disconnect (RD) fitting is required to connect directly to the sensor housing. QD fittings are used for cable-to-cable interconnections and connections to other devices.

## Connection Options

Models SLP...-...P8, -...P12

300 mm 8-pin M12/Euro Pigtail QD (Emitters)  
 300 mm 12-pin M12/Euro Pigtail QD (Receivers)

Requires M12/Euro QD cordset: QDE, DEE2R, or CSM.



Models SLP...-...

Removable Disconnect (RD)

Requires RDLP or DELPE.



## M12/Euro QD to Flying Leads and RDLP to Flying Leads Cordsets

M12/Euro QD connector on one end; unterminated (cut to length) on the other to interface with guarded machine. PVC-jacketed overmold and cables.

Table 3: Emitter Cables

Model	Length	Banner Cordset Pinout/Color Code			M12/Euro Connector (female face view)
RDLP-815D QDE-815D	4.5 m (15 ft)				
RDLP-825D QDE-825D	7.6 m (25 ft)	QD pin	Color	Function	
RDLP-850D QDE-850D	15.2 m (50 ft)	1	Brown	+24 V dc	
RDLP-875D QDE-875D	22.8 m (75 ft)	2	Or/Bk	Fault	
		3	Orange	N.C.	
		4	White	N.C.	
RDLP-8100D QDE-8100D	30.4 m (100 ft)	5	Black	N.C.	
		6	Blue	0 V dc	
		7	Gn/Ye	Gnd/Chassis	
		8	Violet	Reset/Test	

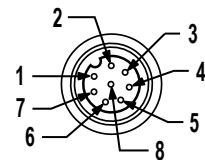
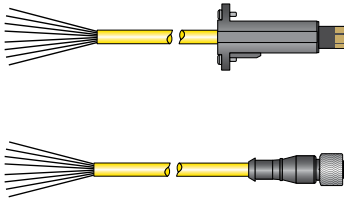
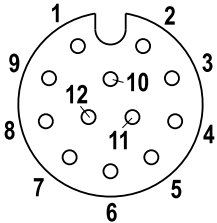


Table 4: Receiver Cables

Model	Length	Banner Cordset Pinout/Color Code	M12/Euro Connector (female face view)																																							
RDLP-1115E QDE-1215E	4.5 m (15 ft)	<table border="1"> <thead> <tr> <th>QD pin</th> <th>Color</th> <th>Function</th> </tr> </thead> <tbody> <tr><td>1</td><td>White</td><td>OSSD 2</td></tr> <tr><td>2</td><td>Brown</td><td>+24 V dc</td></tr> <tr><td>3</td><td>Gn/Ye</td><td>Gnd/Chassis</td></tr> <tr><td>4</td><td>Yellow</td><td>MD1 Input</td></tr> <tr><td>5</td><td>Gray</td><td>MD2 Input</td></tr> <tr><td>6</td><td>Pink</td><td>ME/OR2</td></tr> <tr><td>7</td><td>Blue</td><td>0 V dc</td></tr> <tr><td>8</td><td>Red</td><td>Aux/Fault Out</td></tr> <tr><td>9</td><td>Orange</td><td>EDM Input</td></tr> <tr><td>10</td><td>N.C.</td><td>N.C.</td></tr> <tr><td>11</td><td>Black</td><td>OSSD 1</td></tr> <tr><td>12</td><td>Violet</td><td>Reset/OR 1</td></tr> </tbody> </table>	QD pin	Color	Function	1	White	OSSD 2	2	Brown	+24 V dc	3	Gn/Ye	Gnd/Chassis	4	Yellow	MD1 Input	5	Gray	MD2 Input	6	Pink	ME/OR2	7	Blue	0 V dc	8	Red	Aux/Fault Out	9	Orange	EDM Input	10	N.C.	N.C.	11	Black	OSSD 1	12	Violet	Reset/OR 1	 
QD pin	Color	Function																																								
1	White	OSSD 2																																								
2	Brown	+24 V dc																																								
3	Gn/Ye	Gnd/Chassis																																								
4	Yellow	MD1 Input																																								
5	Gray	MD2 Input																																								
6	Pink	ME/OR2																																								
7	Blue	0 V dc																																								
8	Red	Aux/Fault Out																																								
9	Orange	EDM Input																																								
10	N.C.	N.C.																																								
11	Black	OSSD 1																																								
12	Violet	Reset/OR 1																																								
RDLP-1125E QDE-1225E	7.6 m (25 ft)																																									
RDLP-1150E QDE-1250E	15.2 m (50 ft)																																									
RDLP-1175E QDE-1275E	22.8 m (75 ft)																																									
RDLP-11100E QDE-12100E	30.4 m (100 ft)																																									

## 12-pin M12/Euro QD to RD Cordsets

Model	Length	Banner Cordset Pinout/Color Code	M12/Euro Connector (male face view)																																							
DELPE-121E	0.3 m (1 ft)	<table border="1"> <thead> <tr> <th>QD pin</th> <th>Color</th> <th>Function</th> </tr> </thead> <tbody> <tr><td>1</td><td>White</td><td>OSSD 2</td></tr> <tr><td>2</td><td>Brown</td><td>+24 V dc</td></tr> <tr><td>3</td><td>Gn/Ye</td><td>Gnd/Chassis</td></tr> <tr><td>4</td><td>Yellow</td><td>MD1 Input</td></tr> <tr><td>5</td><td>Gray</td><td>MD2 Input</td></tr> <tr><td>6</td><td>Pink</td><td>ME/OR2</td></tr> <tr><td>7</td><td>Blue</td><td>0 V dc</td></tr> <tr><td>8</td><td>Red</td><td>Aux/Fault Out</td></tr> <tr><td>9</td><td>Orange</td><td>EDM Input</td></tr> <tr><td>10</td><td>N.C.</td><td>N.C.</td></tr> <tr><td>11</td><td>Black</td><td>OSSD 1</td></tr> <tr><td>12</td><td>Violet</td><td>Reset/OR1</td></tr> </tbody> </table>	QD pin	Color	Function	1	White	OSSD 2	2	Brown	+24 V dc	3	Gn/Ye	Gnd/Chassis	4	Yellow	MD1 Input	5	Gray	MD2 Input	6	Pink	ME/OR2	7	Blue	0 V dc	8	Red	Aux/Fault Out	9	Orange	EDM Input	10	N.C.	N.C.	11	Black	OSSD 1	12	Violet	Reset/OR1	 
QD pin	Color		Function																																							
1	White		OSSD 2																																							
2	Brown		+24 V dc																																							
3	Gn/Ye		Gnd/Chassis																																							
4	Yellow		MD1 Input																																							
5	Gray		MD2 Input																																							
6	Pink		ME/OR2																																							
7	Blue		0 V dc																																							
8	Red		Aux/Fault Out																																							
9	Orange		EDM Input																																							
10	N.C.		N.C.																																							
11	Black	OSSD 1																																								
12	Violet	Reset/OR1																																								
DELPE-123E	1 m (3.3 ft)																																									
DELPE-128E	2.5 m (8 ft)																																									
DELPE-1215E	4.5 m (15 ft)																																									
DELPE-1225E	7.6 m (25 ft)																																									
DELPE-1250E	15.2 m (50 ft)																																									
DELPE-1275E	22.8 m (75 ft)																																									
DELPE-12100E	30.4 m (100 ft)																																									

## Male M12/Euro to Female M12/Euro QD Cordsets

Table 5: 4-pin Threaded M12/Euro Cordsets

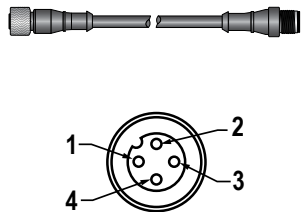
Model	Length	Banner Cordset Pinout/Color Code			Connector (female face view)													
MQDEC-406SS	1.8 m (6 ft)	<table border="1"> <thead> <tr> <th>Pin</th> <th>Color</th> <th>Function</th> </tr> </thead> <tbody> <tr> <td>1</td> <td>Brown</td> <td>+24 V dc</td> </tr> <tr> <td>2</td> <td>White</td> <td>PNP, D.O.</td> </tr> <tr> <td>3</td> <td>Blue</td> <td>0 V dc</td> </tr> <tr> <td>4</td> <td>Black</td> <td>PNP, LO</td> </tr> </tbody> </table>	Pin	Color	Function	1	Brown	+24 V dc	2	White	PNP, D.O.	3	Blue	0 V dc	4	Black	PNP, LO	
Pin	Color		Function															
1	Brown		+24 V dc															
2	White		PNP, D.O.															
3	Blue		0 V dc															
4	Black	PNP, LO																
MQDEC-412SS	3.6 m (12 ft)																	
MQDEC-420SS	6.1 m (20 ft)																	
MQDEC-430SS	9.2 m (30 ft)																	
MQDEC-450SS	15.2 m (50 ft)																	

Table 6: 5-pin Threaded M12/Euro Cordsets

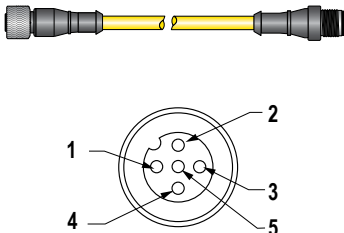
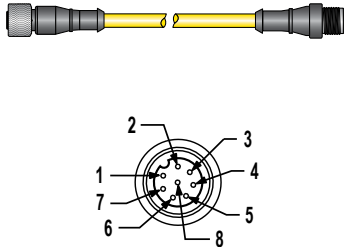
Model	Length	Banner Cordset Pinout/Color Code			Connector (female face view)																
DEE2R-53D	0.9 m (3 ft)	<table border="1"> <thead> <tr> <th>Pin</th> <th>Color</th> <th>Function</th> </tr> </thead> <tbody> <tr> <td>1</td> <td>Brown</td> <td>+24 V dc</td> </tr> <tr> <td>2</td> <td>White</td> <td>NPN</td> </tr> <tr> <td>3</td> <td>Blue</td> <td>0 V dc</td> </tr> <tr> <td>4</td> <td>Black</td> <td>PNP</td> </tr> <tr> <td>5</td> <td>Gray</td> <td>LO/DO Select</td> </tr> </tbody> </table>	Pin	Color	Function	1	Brown	+24 V dc	2	White	NPN	3	Blue	0 V dc	4	Black	PNP	5	Gray	LO/DO Select	
Pin	Color		Function																		
1	Brown		+24 V dc																		
2	White		NPN																		
3	Blue		0 V dc																		
4	Black		PNP																		
5	Gray		LO/DO Select																		
DEE2R-58D	2.5 m (8 ft)																				
DEE2R-515D	4.6 m (15 ft)																				
DEE2R-525D	7.6 m (25 ft)																				
DEE2R-550D	15.2 m (50 ft)																				
DEE2R-575D	22.9 m (75 ft)																				
DEE2R-5100D	30.5 m (100 ft)																				

Table 7: 8-pin Threaded M12/Euro Cordsets

Model	Length	Banner Cordset Pinout/Color Code			Connector (female face view)																									
DEE2R-83D	0.9 m (3 ft)	<table border="1"> <thead> <tr> <th>Pin</th> <th>Color</th> <th>Function</th> </tr> </thead> <tbody> <tr> <td>1</td> <td>Brown</td> <td>+24 V dc</td> </tr> <tr> <td>2</td> <td>Or/Bk</td> <td>Fault</td> </tr> <tr> <td>3</td> <td>Orange</td> <td>N.C.</td> </tr> <tr> <td>4</td> <td>White</td> <td>N.C.</td> </tr> <tr> <td>5</td> <td>Black</td> <td>N.C.</td> </tr> <tr> <td>6</td> <td>Blue</td> <td>0 V dc</td> </tr> <tr> <td>7</td> <td>Gn/Ye</td> <td>Gnd/Chassis</td> </tr> <tr> <td>8</td> <td>Violet</td> <td>Reset</td> </tr> </tbody> </table>	Pin	Color	Function	1	Brown	+24 V dc	2	Or/Bk	Fault	3	Orange	N.C.	4	White	N.C.	5	Black	N.C.	6	Blue	0 V dc	7	Gn/Ye	Gnd/Chassis	8	Violet	Reset	
Pin	Color		Function																											
1	Brown		+24 V dc																											
2	Or/Bk		Fault																											
3	Orange		N.C.																											
4	White		N.C.																											
5	Black		N.C.																											
6	Blue		0 V dc																											
7	Gn/Ye	Gnd/Chassis																												
8	Violet	Reset																												
DEE2R-88D	2.5 m (8 ft)																													
DEE2R-815D	4.6 m (15 ft)																													
DEE2R-825D	7.6 m (25 ft)																													
DEE2R-850D	15.2 m (50 ft)																													
DEE2R-875D	22.9 m (75 ft)																													
DEE2R-8100D	30.5 m (100 ft)																													

## Muting Splitter Cordsets

The CSM Muting Splitter cordsets allow quick connection of M12/Euro QD devices and flying lead cordsets. Four versions are available, two that include a branch for connection of the EZ-SCREEN LPM Emitter, and two that do not include the Emitter connection.



**WARNING:** Do not interchange CSM3DO and CSM3LO, or CSM4DO and CSM4LO cordsets. Ensure correct cordset is installed by verifying model number and performing Commissioning Checkout as described in [Commissioning Checkout](#) on page 46. Muting functionality can be effected resulting in inappropriate muting cycles, which could result in serious bodily injury or death.

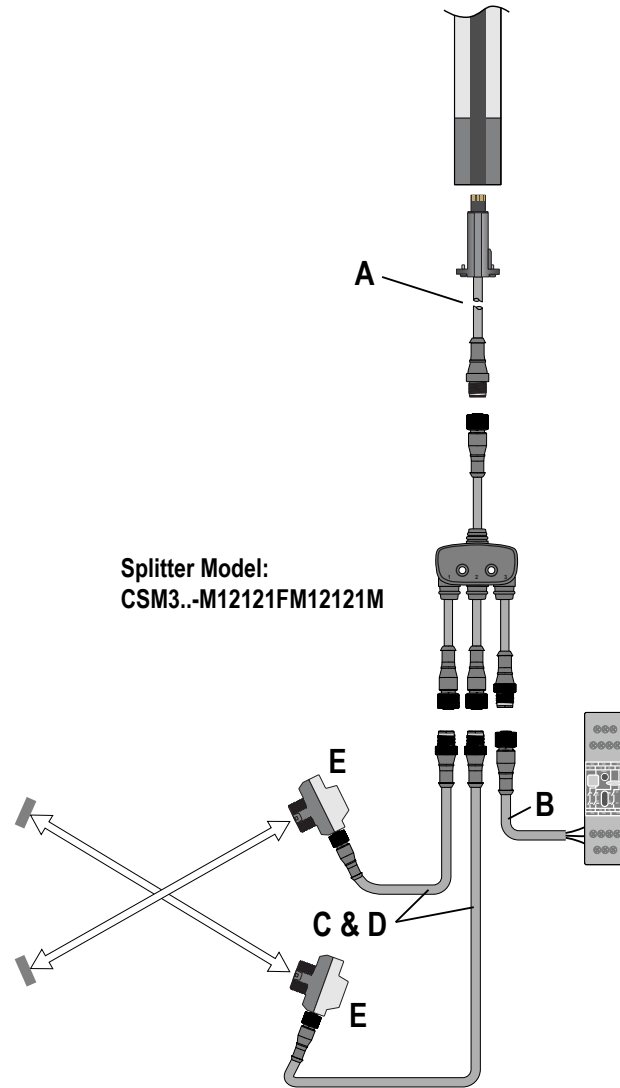


NOTE: Pins 4 and 5 (MD1 and MD2) are not connected on the 12-pin Euro male machine interface connection. See [12-pin M12/Euro QD to RD Cordsets](#) on page 77 for additional pinout information.



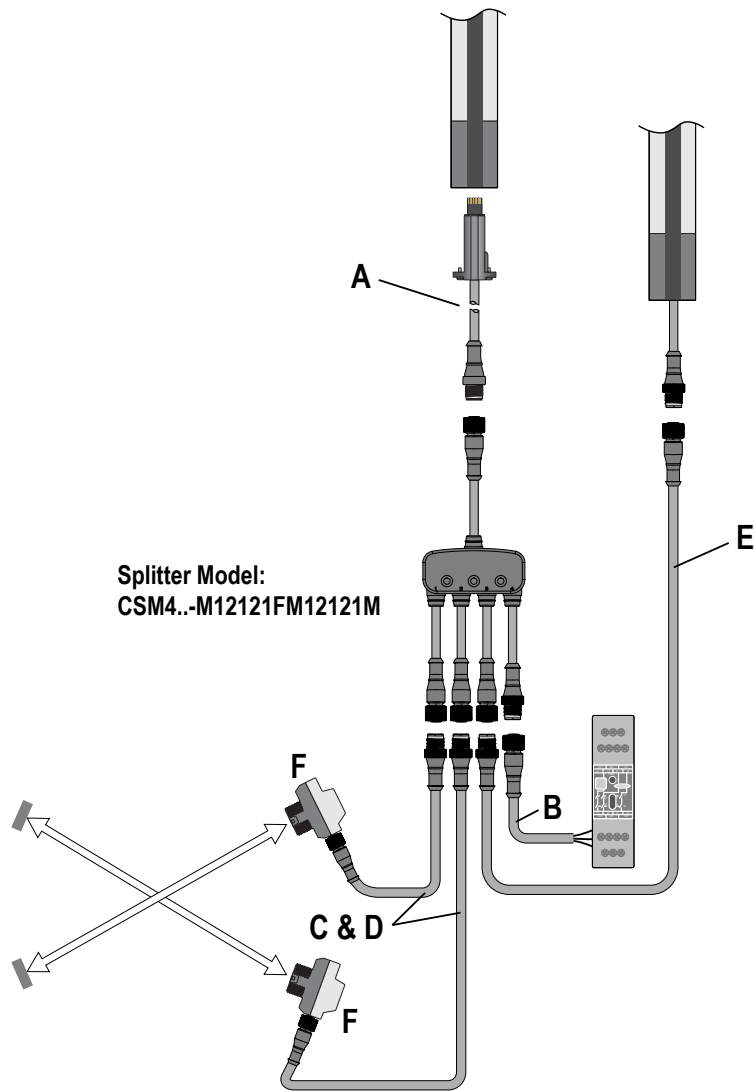
NOTE: Typically Entry/Exit applications are Dark Operate (DO) with through-beam or polarized retroreflective sensors. Typically Home Position and Power Press applications are Light Operate (LO) or "closed switch to mute" applications. See [Entry/Exit Applications](#) on page 65, [Home or Station Applications](#) on page 68, and [Power Press Applications](#) on page 71 for examples.

Models without Emitter Connection	Description	Branch 1 & 2 Termination	Branch 1 & 2 Pinout	
CSM3DO- M12121FM12121M	For use with Banner sensors with Dark Operate PNP output	5-pin M12/Euro Female QD	Pin	Function
			1	+24 V dc (courtesy supply for sensor or hard contact)
			2	Mute Input
			3	0 V dc
			4	not connected
			5	not connected
CSM3LO- M12121FM12121M	For use with Banner sensors with Light Operate PNP output	5-pin M12/Euro Female QD	Pin	Function
			1	+24 V dc (courtesy supply for sensor or hard contact)
			2	not connected
			3	0 V dc
			4	Mute Input
			5	not connected
Models with Emitter Connection	Description	Branch 1 & 2 Termination	Branch 1 & 2 Pinout	
CSM4DO- M12121FM12121M	For use with Banner sensors with Dark Operate PNP output	5-pin M12/Euro Female QD	Pin	Function
			1	+24 V dc (courtesy supply for sensor or hard contact)
			2	Mute Input
			3	0 V dc
			4	not connected
			5	not connected
CSM4LO- M12121FM12121M	For use with Banner sensors with Light Operate PNP output	5-pin M12/Euro Female QD	Pin	Function
			1	+24 V dc (courtesy supply for sensor or hard contact)
			2	not connected
			3	0V dc
			4	Mute Input
			5	not connected



Callout	Description
A	DELPE-12..E RD to 12-pin male QD for connection of SLPMR receivers (0.3 m DELPE-121E Factory installed on SLPMR...P12 models)
B	ODE-12..E 12-pin female QD with flying leads for machine interface hookup
C	MQDEC-4..SS Double-ended 4-pin male/female QD for mute device hookup OR
D	DEE2R-5..D Double-ended 5-pin male/female QD for mute device hookup
E	QS18VP6LPQ8 (4-pin Euro) sensors shown in figure. Other sensors or switches may be used





Callout	Description
A	DELPE-12..E RD to 12-pin male QD for connection of SLPMR receivers (0.3 m DELPE-121E Factory installed on SLPMR...P12 models)
B	ODE-12..E 12-pin female QD with flying leads for machine interface hookup
C	MQDEC-4..SS Double-ended 4-pin male/female QD for mute device hookup OR
D	DEE2R-5..D Double-ended 5-pin male/female QD for mute device hookup
E	DELPE-8..D or DEE2R-8..D Double-ended 8-pin male/female QD for extending branch 3 to the SLPE emitter
F	QS18VP6LPQ8 (4-pin Euro) sensors shown in figure. Other sensors or switches may be used.

## 4 and 5-Pin M12/Euro QD Cordsets

Table 8: 4-Pin Cordsets

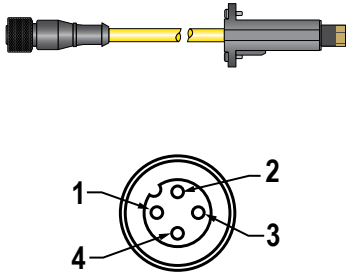
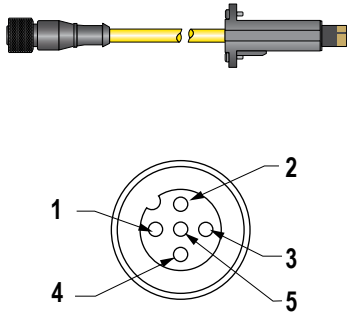
Model	Length	Banner Cordset Pinout/Color Code		M12/Euro Connector (female face view)
DELPEF-40D	0.05 m (2.4 in)			
DELPEF-41D	0.3 m (1 in)			
DELPEF-43D	1 m (3.3 in)	QD pin	Function	
DELPEF-48D	2.5 m (8 in)	1	N.C.	
DELPEF-415D	4.5 m (15 ft)	2	N.C.	
DELPEF-425D	7.6 m (25 ft)	3	0 V dc	
DELPEF-450D	15.2 m (50 ft)	4	Mute Status	
DELPEF-475D	22.8 m (75 ft)			
DELPEF-4100D	30.4 m (100 ft)			

Table 9: 5-Pin Cordsets

Model	Length	Banner Cordset Pinout/Color Code		M12/Euro Connector (female face view)
DELPEF-50D	0.05 m (2.4 in)			
DELPEF-51D	0.3 m (1 in)			
DELPEF-53D	1 m (3.3 in)	QD pin	Function	
DELPEF-58D	2.5 m (8 in)	1	Reset Status	
DELPEF-515D	4.5 m (15 ft)	2	OSSDs Off	
DELPEF-525D	7.6 m (25 ft)	3	0 V dc	
DELPEF-515D	4.5 m (15 ft)	4	OSSDs On	
DELPEF-550D	15.2 m (50 ft)	5	Mute Status	
DELPEF-575D	22.8 m (75 ft)			
DELPEF-5100D	30.4 m (100 ft)			

### 9.4.2 Interface Modules

Interface modules provide forced-guided, mechanically-linked relay (safety) outputs for the EZ-SCREEN LPM System. See Banner data sheet p/n 62822 for more information.

Model	Description
IM-T-9A	Interface module, 3 N.O. redundant-output 6 amp contacts
IM-T-11A	Interface module, 2 N.O. redundant-output 6 amp contacts, plus 1 N.C. auxiliary contact

### 9.4.3 Contactors

The normally closed contacts are used in an external device monitoring (EDM) circuit. If used, two contactors per EZ-SCREEN LPM System are required. See datasheet p/n 111880 for additional options and more information

Model	Description
11-BG00-31-D-024	10 amp positive-guided contactor, 3 N.O., 1 N.C.
BF1801L024	18 amp positive-guided contactor, 3 N.O., 1 N.C. (N.C. contact rated at 10 amps)

### 9.4.4 External Keyed Reset Switches







EZA-RR-1	External normally open reset switch with 8-pin M12/Euro-style QD; can be interconnected using cordset models QDE-8..D, DEE2R-8..D, or CSB-..M1281.
MGA-KSO-1	Panel-mount keyed normally open reset switch
MGA-K-1	Replacement key for switch MGA-KSO-1

### 9.4.5 Snap-On Lens Shields

Impact-resistant copolyester lens shields snap easily over entire length of sensor housing, protect against metal cutting fluids, other chemicals. Not sealed at top and bottom. Decreases sensing range by approximately 15% when protecting both emitter and receiver.

Sensor Model	Lens Shield Model	Sensor Model	Lens Shield Model
SLP...-410..	LPSS-410	SLP...-1110..	LPSS-1110
		SLP...-1250..	LPSS-1250
SLP...-550..	LPSS-550	SLP...-1390..	LPSS-1390
SLP...-690..	LPSS-690	SLP...-1530..	LPSS-1530
SLP...-830..	LPSS-830	SLP...-1670..	LPSS-1670
SLP...-970..	LPSS-970	SLP...-1810..	LPSS-1810

### 9.4.6 EZ-LIGHT® for EZ-SCREEN® Low Profile with Muting

Models	Construction	Connection/ Recommended Cordset <sup>12</sup>	LED Function
 TL50WQ <sup>13</sup> TL50YQ <sup>13</sup>	<ul style="list-style-type: none"> <li>Bases and Covers: ABS</li> <li>Light Seg.: Polycarbonate</li> <li>30 mm base mount</li> <li>IP67</li> <li>Indicates Mute Status</li> </ul>	DELPEF-4xxD	White
			Yellow
 K50LWXXPQ <sup>13</sup> K50LYXXPQ <sup>13</sup>	<ul style="list-style-type: none"> <li>Polycarbonate housing, 50 mm thermoplastic dome, 30 mm base mount</li> <li>Fully encapsulated, IP67</li> <li>Indicates Mute Status</li> </ul>		White
			Yellow
 K50FLWXXPQ <sup>13</sup> K50FLYXXPQ <sup>13</sup>	<ul style="list-style-type: none"> <li>Polycarbonate base, translucent polycarbonate dome, flat mount.</li> <li>Fully encapsulated, IP67, IP69K</li> <li>Indicates Mute Status</li> </ul>		White
			Yellow
 K80LWXXPQ <sup>13</sup> K80LYXXPQ <sup>13</sup>	<ul style="list-style-type: none"> <li>Polycarbonate housing, 50 mm thermoplastic dome, flat or DIN mount</li> <li>Fully encapsulated, IP67</li> <li>Indicates Mute Status</li> </ul>	White	
		Yellow	
 K50LGRW2PQ-18886 <sup>13</sup>	<ul style="list-style-type: none"> <li>Polycarbonate housing, 50 mm thermoplastic dome, 30 mm base mount</li> <li>Fully encapsulated, IP67</li> <li>Indicates Mute Status</li> </ul>	DELPEF-5xxD	3-color dome light (Green, Red, White)
 TL50GYRWQ <sup>13</sup>	<ul style="list-style-type: none"> <li>Bases and Covers: ABS</li> <li>Light Seg.: Polycarbonate</li> <li>30 mm base mount</li> <li>IP67</li> <li>Indicates Mute Status</li> </ul>		4-color tower light (Green, Yellow, Red, White)

<sup>12</sup> See [4 and 5-Pin M12/Euro QD Cordsets](#) on page 82 for cordset information

<sup>13</sup> Can be used with LPA-MBK-15 mounting bracket.

### 9.4.7 MSA Series Stands

Base included. Available without a base by adding the suffix NB to the model number (for example, MSA-S42-1NB).

Stand Model	Pole Height	Useable Stand Height	Overall Stand Height
MSA-S24-1	610 mm (24 in)	483 mm (19 in)	616 mm (24.25 in)
MSA-S42-1	1067 mm (42 in)	940 mm (37 in)	1073 mm (42.25 in)
MSA-S66-1	1676 mm (66 in)	1550 mm (61 in)	1682 mm (66.25 in)
MSA-S84-1	2134 mm (84 in)	2007 mm (79 in)	2140 mm (84.25 in)
MSA-S105-1	2667 mm (105 in)	2667 mm (100 in)	2673 mm (105.25 in)

### 9.4.8 MSM Series Corner Mirrors

Rear-surface glass mirrors are rated at 85% efficiency. The total sensing range decreases by approximately 8% per mirror.

See mirror data sheet p/n 43685 or <http://www.bannerengineering.com> for further information.

Mirror Model	Defined Area Length	Reflective Area Y	Mounting L1	Mounting L2
MSM8A	150 mm (5.9 in)	267 mm (10.5 in)	323 mm (12.7 in)	292 mm (11.5 in)
MSM12A	300 mm (11.8 in)	356 mm (14 in)	411 mm (16.2 in)	381 mm (15 in)
MSM20A	450 mm (17.7 in)	559 mm (22 in)	615 mm (24.2 in)	584 mm (23 in)
MSM24A	600 mm (23.6 in)	660 mm (26 in)	716 mm (28.2 in)	686 mm (27 in)
MSM32A	750 mm (29.5 in)	864 mm (34 in)	919 mm (36.2 in)	889 mm (35 in)
MSM36A	900 mm (35.4 in)	965 mm (38 in)	1021 mm (40.2 in)	991 mm (39 in)
MSM44A	1050 mm (41.3 in)	1168 mm (46 in)	1224 mm (48.2 in)	1194 mm (47 in)
MSM48A	1200 mm (47.2 in)	1270 mm (50 in)	1326 mm (52.2 in)	1295 mm (51 in)

### 9.4.9 SSM Series Corner Mirrors

- Rear-surface glass mirrors are rated at 85% efficiency. The total sensing range decreases by approximately 8% per mirror. See mirror data sheet p/n 61934 or <http://www.bannerengineering.com> for further information.
- Stainless steel reflective surface models are also available. See datasheet p/n 67200.
- Robust construction, two mounting brackets and hardware included.
- EZA-MBK-2 adapter bracket is required for use with MSA Series stand, see [Accessory Mounting Brackets](#) on page 85 .



NOTE: Brackets may be inverted from the positions shown, decreasing dimension L1 by 58 mm (2.3 in).

Mirror Model <sup>14</sup>	Defined Area Length	Reflective Area Y	Mounting 1	Mounting L2	
SSM-200	150 mm (5.9 in)	200 mm (7.9 in)	278 mm (10.9 in)	311 mm (12.2 in)	
SSM-375	300 mm (11.8 in)	375 mm (14.8 in)	486 mm (19.1 in)	453 mm (17.8 in)	
SSM-550	450 mm (17.7 in)	550 mm (21.7 in)	661 mm (26.0 in)	628 mm (24.7 in)	
SSM-675	600 mm (23.6 in)	675 mm (26.6 in)	786 mm (31.0 in)	753 mm (29.6 in)	
SSM-825	750 mm (29.5 in)	825 mm (32.5 in)	936 mm (36.9 in)	903 mm (35.6 in)	
SSM-975	900 mm (35.4 in)	975 mm (38.4 in)	1086 mm (42.8 in)	1053 mm (41.5 in)	
SSM-1100	1050 mm (41.3 in)	1100 mm (43.3 in)	1211 mm (47.7 in)	1178 mm (46.4 in)	
SSM-1275	1200 mm (47.2 in)	1275 mm (50.2 in)	1386 mm (54.6 in)	1353 mm (53.3 in)	
SSM-1400	1350 mm (53.1 in)	1400 mm (55.1 in)	1511 mm (59.5 in)	1478 mm (58.2 in)	
SSM-1550	1500 mm (59.0 in)	1550 mm (61.0 in)	1661 mm (65.4 in)	1628 mm (64.1 in)	
SSM-1750	1650 mm (65.0 in)	1750 mm (68.9 in)	1861 mm (73.3 in)	1828 mm (72.0 in)	
SSM-1900	1800 mm (70.9 in)	1900 mm (74.8 in)	2011 mm (79.2 in)	1978 mm (77.9 in)	

### 9.4.10 Accessory Mounting Brackets

Contact Banner Engineering for more information. Order one LPA-MBK-... bracket per sensor, two per pair.

Model	Description	
LPA-MBK-13	<ul style="list-style-type: none"> <li>• Adaptor for side-mount bracket LPA-MBK-12</li> <li>• Reorients sensor rotation by 90° (+10°/ -30°)</li> <li>• 14 ga (1.9 mm) steel, black zinc plated</li> <li>• Includes 1 bracket and hardware</li> </ul>	
LPA-MBK-15	<ul style="list-style-type: none"> <li>• End-cap bracket for mounting EZ-LIGHT indicators with a 30 mm mounting hub</li> <li>• Uses end-cap plates and die-cast zinc end cap from bracket LPA-MBK-11 (supplied with sensor)</li> <li>• 360° sensor rotation; 14 ga. (1.9 mm) steel, black zinc plated</li> <li>• End-cap bracket kit includes 1 end bracket; see <a href="#">Mounting the End-Cap Brackets</a> on page 29</li> </ul>	
LPA-MBK-20	<ul style="list-style-type: none"> <li>• Universal adapter bracket for mounting to engineered/slotted aluminum framing (e.g., 80/20™, Bosch)</li> <li>• Retrofit for Banner MS/US/MG; clearance for M4 and M6 hardware</li> <li>• Use with LPA-MBK-11, -12, or -13</li> <li>• 12 ga (2.66 mm) steel, black zinc plated</li> <li>• Includes 1 bracket and hardware</li> </ul>	

<sup>14</sup> Stainless steel reflective surface models are available by adding model number suffix "-S" (for example, SSM-375-S); range reduction for these models is approximately 30% per mirror. See datasheet p/n 67200.

## EZ-SCREEN® Low-Profile Systems with Integral Muting

Model	Description	
LPA-MBK-22	<ul style="list-style-type: none"> <li>• End-cap bracket for mounting sensor inside Unistrut® metal framing; uses end-cap plates from bracket LPA-MBK-11</li> <li>• Fits Unistrut P1000 size, with M6 or 1/4" channel nuts</li> <li>• 14 ga (1.90 mm) steel, black zinc plated; diecast zinc clamps</li> <li>• Includes 2 brackets and hardware</li> </ul>	
LPA-MBK-Pxxx	<ul style="list-style-type: none"> <li>• L-shaped bracket for one emitter or receiver protects sensor from weld flash, impact.</li> <li>• Sized to match sensor length; replace "xxx" in model number with sensor size (e.g., LPAMBK- P270 for use with sensor SLP.-270.); bracket studs mate with side-mount brackets LPA-MBK-12, included with sensor. Corner notch accommodates cable routing.</li> <li>• +10°/ -30° sensor rotation</li> <li>• 12 ga (2.66 mm) steel, black zinc plated or painted</li> <li>• One bracket and hardware.</li> </ul>	

### 9.4.11 Alignment Aids

Model	Description	
LAT-1-LP	Self-contained visible-beam laser tool for aligning any EZ-SCREEN LPM emitter/receiver pair. Includes retroreflective target material and mounting clip.	
LPA-LAT-2	Replacement adaptor (clip) hardware for EZ-SCREEN LPM models	
LPA-LAT-1	Clip-on retroreflective LAT target	
BRT-THG-2-100	2 in retroreflective tape, 100 ft	
BT-1	Beam Tracker	

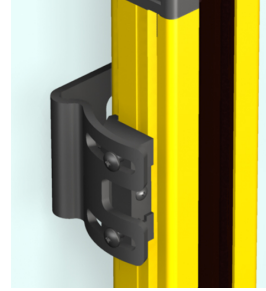
### 9.4.12 Replacement Parts

Model	Description
STP-13	14 mm test piece (14 mm resolution systems)
STP-17	34 mm test piece (14 mm resolution systems with 2-beam reduced resolution)
STP-16	25 mm test piece (25 mm resolution systems)
STP-18	65 mm test piece (25 mm resolution systems with 2-beam reduced resolution)
DELPE-81D	Replacement for M12-terminated pigtail QD, as shipped with standard pigtail QD models; 8-conductor cable, 22 AWG; 0.3 m (1 in) long; see <a href="#">Cordsets</a> on page 75 for other lengths
LPA-MBK-11	End-cap bracket kit (includes 2 end brackets and hardware); 360° sensor rotation; 14 ga (1.9 mm) steel, black zinc plated; die-cast zinc end-cap plate
LPA-MBK-12	Side-mount bracket kit (includes 1 bracket and hardware); +10°/-30° sensor rotation; 14 ga (1.9 mm) steel, black zinc plated; die-cast zinc clamp

LPA-MBK-11 End-cap bracket



LPA-MBK-12 Side-mount bracket



## 10 Standards and Regulations

*The list of standards below is included as a convenience for users of this Banner device. Inclusion of the standards below does not imply that the device complies specifically with any standard, other than those specified in the Specifications section of this manual.*

### 10.1 Applicable U.S. Standards

---

ANSI B11.0 Safety of Machinery, General Requirements, and Risk Assessment	ANSI B11.16 Metal Powder Compacting Presses
ANSI B11.1 Mechanical Power Presses	ANSI B11.17 Horizontal Extrusion Presses
ANSI B11.2 Hydraulic Power Presses	ANSI B11.18 Machinery and Machine Systems for the Processing of Coiled Strip, Sheet, and Plate
ANSI B11.3 Power Press Brakes	ANSI B11.19 Performance Criteria for Safeguarding
ANSI B11.4 Shears	ANSI B11.20 Manufacturing Systems
ANSI B11.5 Iron Workers	ANSI B11.21 Machine Tools Using Lasers
ANSI B11.6 Lathes	ANSI B11.22 Numerically Controlled Turning Machines
ANSI B11.7 Cold Headers and Cold Formers	ANSI B11.23 Machining Centers
ANSI B11.8 Drilling, Milling, and Boring	ANSI B11.24 Transfer Machines
ANSI B11.9 Grinding Machines	ANSI/RIA R15.06 Safety Requirements for Industrial Robots and Robot Systems
ANSI B11.10 Metal Sawing Machines	ANSI NFPA 79 Electrical Standard for Industrial Machinery
ANSI B11.11 Gear Cutting Machines	ANSI/PMMI B155.1 Package Machinery and Packaging-Related Converting Machinery — Safety Requirements
ANSI B11.12 Roll Forming and Roll Bending Machines	
ANSI B11.13 Single- and Multiple-Spindle Automatic Bar and Chucking Machines	
ANSI B11.14 Coil Slitting Machines	
ANSI B11.15 Pipe, Tube, and Shape Bending Machines	

### 10.2 Applicable OSHA Regulations

---

OSHA Documents listed are part of: Code of Federal Regulations Title 29, Parts 1900 to 1910  
OSHA 29 CFR 1910.212 General Requirements for (Guarding of) All Machines  
OSHA 29 CFR 1910.147 The Control of Hazardous Energy (lockout/tagout)  
OSHA 29 CFR 1910.217 (Guarding of) Mechanical Power Presses

### 10.3 International/European Standards

---

ISO 12100 Safety of Machinery – General Principles for Design — Risk Assessment and Risk Reduction	ISO 14119 (EN 1088) Interlocking Devices Associated with Guards – Principles for Design and Selection
ISO 13857 Safety Distances . . . Upper and Lower Limbs	IEC 60204-1 Electrical Equipment of Machines Part 1: General Requirements
ISO 13850 (EN 418) Emergency Stop Devices, Functional Aspects – Principles for Design	IEC 61496 Electro-sensitive Protection Equipment
ISO 13851 (EN 574) Two-Hand Control Devices – Functional Aspects – Principles for Design	IEC 60529 Degrees of Protection Provided by Enclosures
IEC 62061 Functional Safety of Safety-Related Electrical, Electronic and Programmable Control Systems	IEC 60947-1 Low Voltage Switchgear – General Rules
ISO 13849-1 (EN 954-1) Safety-Related Parts of Control Systems	IEC 60947-5-1 Low Voltage Switchgear – Electromechanical Control Circuit Devices
ISO 13855 (EN 999) The Positioning of Protective Equipment in Respect to Approach Speeds of Parts of the Human Body	IEC 60947-5-5 Low Voltage Switchgear – Electrical Emergency Stop Device with Mechanical Latching Function
	IEC 61508 Functional Safety of Electrical/Electronic/Programmable Electronic Safety-Related Systems



# 11 Glossary

## A

**ANSI (American National Standards Institute)**  
 Acronym for the American National Standards Institute, an association of industry representatives that develops technical standards (including safety standards). These standards comprise a consensus from a variety of industries on good practice and design. ANSI standards relevant to application of safety products include the ANSI B11 Series, and ANSI/RIA R15.06. See [Standards and Regulations](#) on page 88.

**Auto Power-Up**  
 A safety light screen system feature that enables the system to be powered up into Run mode (or recover from a power interruption) without requiring a manual reset.

## B

**Blanking**  
 A programmable feature of a safety light screen system which allows the light screen to ignore certain objects located within the defined area. See [Floating Blanking](#) and [Reduced Resolution](#).

**Brake**  
 A mechanism for stopping, slowing, or preventing motion.

**Blocked Condition**  
 A condition that occurs when an opaque object of sufficient size blocks/interrupts one or more light screen beams. When a blocked condition occurs, OSSD1 and OSSD2 outputs simultaneously turn off within the system response time.

## C

**Cascade**  
 Series connection (or "daisy-chaining") of multiple emitters and receivers.

**Control Reliability**  
 A method of ensuring the performance integrity of a control system or device. Control circuits are designed and constructed so that a single failure or fault within the system does not prevent the normal stopping action from being applied to the machine when required, or does not create unintended machine action, but does prevent initiation of successive machine action until the failure is corrected.

**CE**  
 Abbreviation for "Conformité Européenne" (French translation of "European Conformity"). The CE mark on a product or machine establishes its compliance with all relevant European Union (EU) Directives and the associated safety standards.

**Clutch**  
 A mechanism that, when engaged, transmits torque to impart motion from a driving member to a driven member.

**CSA**  
 Abbreviation for Canadian Standards Association, a testing agency similar to Underwriters Laboratories, Inc. (UL) in the United States. A CSA-certified product has been type-tested and approved by the Canadian Standards Association as meeting electrical and safety codes.

## D

**Defined Area**  
 The "screen of light" generated by a safety light screen system, defined by the height and the safety distance (minimum distance) of the emitter and receiver. When the defined area is interrupted by an opaque object of a specified cross section, a Trip or Latch condition results.

**Designated Person**  
 A person or persons identified and designated in writing, by the employer, as being appropriately trained and qualified to perform a specified checkout procedure.

E

Emitter

The light-emitting component of a safety light screen system, consisting of a row of synchronized modulated LEDs. The emitter, together with the receiver (placed opposite), creates a "screen of light" called the defined area.

External Device Monitoring (EDM)

A means by which a safety device (such as a safety light screen) actively monitors the state (or status) of external devices that may be controlled by the safety device. A lockout of the safety device will result if an unsafe state is detected in the external device. External device(s) may include, but are not limited to: MPCEs, captive contact relays/contactors, and safety modules.

F

Failure to Danger

A failure which delays or prevents a machine safety system from arresting dangerous machine motion, thereby increasing risk to personnel.

Final Switching Device (FSD)

The component of the machine's safety-related control system that interrupts the circuit to the machine primary control element (MPCE) when the output signal switching device (OSSD) goes to the OFF-state.

Fixed Blanking

A programming feature that allows a safety light screen system to ignore objects (such as brackets or fixtures) which will always be present at a specific location within the defined area. The presence of these objects will not cause the system's safety outputs (for example, Final Switching Devices) to trip or latch. If any fixed objects are moved within or removed from the defined area, a Lockout condition results.

Floating Blanking

See *Reduced Resolution*.

FMEA (Failure Mode and Effects Analysis)

A testing procedure by which potential failure modes in a system are analyzed to determine their results or effects on the system. Component failure modes that produce either no effect or a Lockout condition are permitted; failures which cause an unsafe condition (a failure to danger) are not. Banner safety products are extensively FMEA tested.

G

Guarded Machine

The machine whose point of operation is guarded by the safety system.

H

Hard (Fixed) Guard

Screens, bars, or other mechanical barriers affixed to the frame of the machine intended to prevent entry by personnel into the hazardous area(s) of a machine, while allowing the point of operation to be viewed. The maximum size of the openings is determined by the applicable standard, such as Table O-10 of OSHA 29CFR1910.217, also called a "fixed barrier guard."

Harm

Physical injury or damage to the health of people, which may result through direct interaction with the machine or through indirect means, as a result of damage to property or to the environment.

Hazard Point

The closest reachable point of the hazardous area.

Hazardous Area

An area that poses an immediate or impending physical hazard.

## I

## Internal Lockout

A Lockout condition that is due to an internal safety system problem. Generally, indicated by the red Status indicator LED (only) flashing. Requires the attention of a Qualified Person.

## K

## Key Reset (Manual Reset)

A key-operated switch used to reset a safety light screen system to Run mode following a Lockout condition, or to enable machine operation following a Latch condition. Also refers to the act of using the switch.

## L

## Latch Condition

The response of the safety light screen safety outputs (for example, OSSDs) when an object equal to or greater than the diameter of the specified test piece enters the defined area. In a Latch condition, safety outputs simultaneously de-energize and open their contacts. The contacts are held (latched) open until the object is removed from the defined area and a manual reset is performed. A latching output is used most often in perimeter guarding applications. (See *Trip Condition*.)

## Lockout Condition

A safety light screen condition that is automatically attained in response to certain failure signals (an internal lockout). When a Lockout condition occurs, the safety light screen's safety outputs turn Off; the failure must be corrected and a manual reset is required to return the system to Run mode.

## M

## Machine Primary Control Element (MPCE)

An electrically powered element, external to the safety system, which directly controls the machine's normal operating motion in such a way that the element is last (in time) to operate when machine motion is either initiated or arrested.

## Machine Response Time

The time between the activation of a machine stopping device and the instant when the dangerous parts of the machine reach a safe state by being brought to rest.

## Minimum Object Sensitivity (MOS)

The minimum-diameter object that a safety light screen system can reliably detect. Objects of this diameter or greater will be detected anywhere in the defined area. A smaller object can pass undetected through the light if it passes exactly midway between two adjacent light beams. Also known as MODS (Minimum Object Detection Size). See also *Specified Test Piece*.

## Muting

The automatic suspension of the safeguarding function of a safety device during a non-hazardous portion of the machine cycle.

## O

## Off State

The state in which the output circuit is interrupted and does not permit the flow of current.

## On State

The state in which the output circuit is complete and permits the flow of current.

## OSHA (Occupational Safety and Health Administration)

A U.S. Federal agency, Division of the U.S. Department of Labor, that is responsible for the regulation of workplace safety.

## OSSD

Output Signal Switching Device. The safety outputs that are used to initiate a stop signal.

## P

## Part-Revolution Clutch

A type of clutch that may be engaged or disengaged during the machine cycle. Part-revolution clutched machines use a clutch/brake mechanism, which can arrest machine motion at any point in the stroke or cycle.

## Pass-Through Hazard

A pass-through hazard is associated with applications where personnel may pass through a safeguard (which issues a stop command to remove the hazard), and then continues into the guarded area, such as in perimeter guarding. Subsequently, their presence is no longer detected, and the related danger becomes the unexpected start or restart of the machine while personnel are within the guarded area.

## Point of Operation

The location of a machine where material or a workpiece is positioned and a machine function is performed upon it.

## PSDI (Presence-Sensing Device Initiation)

An application in which a presence-sensing device is used to actually start the cycle of a machine. In a typical situation, an operator manually positions a part in the machine for the operation. When the operator moves out of the danger area, the presence sensing device starts the machine (no start switch is used). The machine cycle runs to completion, and the operator can then insert a new part and start another cycle. The presence sensing device continually guards the machine. Single-break mode is used when the part is automatically ejected after the machine operation. Double-break mode is used when the part is both inserted (to begin the operation) and removed (after the operation) by the operator. PSDI is commonly confused with "Trip Initiate." PSDI is defined in OSHA CFR1910.217. Banner safety light screen systems may not be used as PSDI devices on mechanical power presses, per OSHA regulation 29 CFR 1910.217.

## Q

## Qualified Person

A person who, by possession of a recognized degree or certificate of professional training, or who, by extensive knowledge, training and experience, has successfully demonstrated the ability to solve problems relating to the subject matter and work.

## R

## Receiver

The light-receiving component of a safety light screen system, consisting of a row of synchronized phototransistors. The receiver, together with the emitter (placed opposite), creates a "screen of light" called the defined area.

## Reduced Resolution

A feature that allows a safety light screen system to be configured to produce an intentionally disabled light beam(s) within the light screen, which increases the minimum object sensitivity. The disabled beam(s) appears to move up and down ("float") in order to allow the feeding of an object through the defined area at any point without tripping the safety outputs (for example, OSSDs) and causing a Trip or Latch condition. Sometimes called "Floating Blanking."

## Reset

The use of a manually operated switch to restore the safety outputs to the On state from a lockout or a Latch condition.

## Resolution

See *Minimum Object Sensitivity*

## S

## Self-Checking (Circuitry)

A circuit with the capability to electronically verify that all of its own critical circuit components, along with their redundant backups, are operating properly. Banner safety light screen systems and safety modules are self-checking.

## Separation Distance (Safety Light Screen)

The minimum distance required to allow the machine's hazardous motion to stop completely, before a hand (or other object) can reach the nearest hazard point. Measured from the midpoint of the defined area to the nearest hazard point. Factors that influence minimum separation distance include the machine stop time, the light screen system response time, and the light screen minimum object detection size.

## Specified Test Piece

An opaque object of sufficient size used to block a light beam to test the operation of a safety light screen system. When inserted into any part of the defined area, it will place a system into a Trip or Latch condition. Banner supplies specified test pieces with each system. See also *Minimum Object Sensitivity*.

## Supplemental Guarding

Additional safeguarding device(s) or hard guarding, used to prevent a person from reaching over, under, through or around the primary safeguard or otherwise accessing the guarded hazard.

## T

## Test Piece

An opaque object of sufficient size used to block a light beam to test the operation of a safety light screen system.

## Trip Condition

The response of the safety outputs (for example, OSSDs) of a safety light screen system when an object equal to or greater than the diameter of the specified test piece enters the defined area. In a Trip condition, the OSSDs simultaneously de-energize. A Trip condition clears (resets) automatically when the object is removed from the defined area. (See *Latch Condition*.)

## Trip Initiate

The resetting of a safeguard causing the initiation of machine motion or operation. Trip Initiate is not allowed as a means to initiate a machine cycle per NFPA 79 and ISO 60204-1, and is commonly confused with PSDI.

## U

## UL (Underwriters Laboratory)

A third-party organization that tests products for compliance with appropriate standards, electrical codes, and safety codes. Compliance is indicated by the UL listing mark on the product.

# Index

## A

applications  
inappropriate 8  
suitable 8

## C

checkout procedures 36, 37, 39–42  
control reliability 9

## D

DIP Switches 9–17, 19

## E

Emitter  
Power/Fault indicator 55  
External Device Monitoring (EDM)  
9–17, 19

## F

Final Switching Device (FSD) 6

## I

inappropriate applications 8

## indicator

Emitter Power/Fault 55  
initial checkout 36, 37, 39–42  
initial checkout procedure 36, 37,  
39–42  
initial power-up 37

## L

LEDs  
emitter 55  
receiver 55  
light-emitting diodes 55  
See also LEDs

## M

Machine Primary Control Elements  
(MPCEs) 6  
minimum distance 20–25, 27  
Minimum Distance 20–22  
Minimum Distance, calculating 21

## O

optical crosstalk 27  
Output Signal Switching Device  
(OSSD) 6

## P

pass-through hazard 23

## R

reset switch  
location 24

## S

Safety (Separation) Distance,  
calculating 21  
safety distance 20–25, 27  
Safety Distance 20–22  
Standards and Regulations 88  
suitable applications 8

## T

Trip or Latch Output 9–17, 19  
trip/latch output 9