

Sure Cross® U-GAGE K50U Ultrasonic Sensor



Datasheet

A U-GAGE K50U Ultrasonic sensor with a serial interface designed to work with the Sure Cross Nodes with serial interface



The Sure Cross® K50U sensor works in a variety of environments to provide a measurement of the distance between the target and the sensor.

- Three meter sensing range with a 300 mm dead zone
- Provides a distance measurement from the target to the sensor
- Built-in temperature compensation
- Rugged design for demanding sensing environments; rated IEC IP67, NEMA 6P
- Connects using a 1-wire serial interface
- Designed to work with FlexPower 1-Wire Serial Interface Node models DX80N9X1S-P6 and DX80N2X1S-P6, the 10 to 30 V dc powered 1-Wire Serial Interface Node models DX80N9X6S-P6 and DX80N2X6S-P6, MultiHop M-H6 and M-H6L radios, and Wireless Q45 Sensor Nodes DX80N2Q45U and DX80N9Q45U



WARNING: Not To Be Used for Personnel Protection

Never use this device as a sensing device for personnel protection. Doing so could lead to serious injury or death. This device does not include the self-checking redundant circuitry necessary to allow its use in personnel safety applications. A sensor failure or malfunction can cause either an energized or de-energized sensor output condition.

Models

| Model | Range and Frequency | Supply Voltage | I/O |
|----------|---|-----------------|--|
| K50UX1RA | Range: 300 mm to 3 m (11.8 in to 118 in) Freq: 114 kHz | 3.6 to 5.5 V dc | Distance to target using a 1-wire serial interface |

Overview

The K50U is an easy-to-use ultrasonic sensor with extended range and built-in temperature compensation. This sensor is designed to interface with a Node with 1-Wire Serial Interface. To install the sensor to either the serial Node or a cable, follow these instructions:

1. Align the notch in the Node's or cable's female connector with the key in the sensor's male connector.
2. Gently slide the sensor end into the Node's or cable's connector.
3. Rotate the Node's or cable's threaded nut to tighten the sensor down. DO NOT attempt to rotate the sensor after it is connected to the Node's serial port or the cable end, this will damage the sensor.

Indicator LEDs communicate the status of the sensor. The flashing green Power LED indicates the sensor is in Run Mode (the sensor's normal operating condition).

Configure this sensor using the Sure Cross® [Sensor Configuration Tool](#) (instruction manual [170002](#)) and adapter cable BWA-USB1WIRE-001 (datasheet [170020](#)).

Principles of Operation

Ultrasonic sensors emit one or multiple pulses of ultrasonic energy, which travel through the air at the speed of sound. A portion of this energy reflects off the target and travels back to the sensor. The sensor measures the total time required for the energy to reach the target and return to the sensor. The distance to the object is then calculated using the following formula: $D = ct \div 2$

D = distance from the sensor to the target

c = speed of sound in air

t = transit time for the ultrasonic pulse

To improve accuracy, an ultrasonic sensor may average the results of several pulses before outputting a new value.



Temperature Effects

The speed of sound is dependent upon the composition, pressure and temperature of the gas in which it is traveling. For most ultrasonic applications, the composition and pressure of the gas are relatively fixed, while the temperature may fluctuate.

In air, the speed of sound varies with temperature according to the following approximation:

In metric units: $C_{m/s} = 20 \sqrt{273 + T_C}$

In English units: $C_{ft/s} = 49 \sqrt{460 + T_F}$

$C_{m/s}$ = speed of sound in meters per second

$C_{ft/s}$ = speed of sound in feet per second

T_C = temperature in °C

T_F = temperature in °F

Temperature Compensation

Changes in air temperature affect the speed of sound, which in turn affects the total time for the echo measured by the sensor. An increase in air temperature shifts both sensing window limits closer to the sensor. Conversely, a decrease in air temperature shifts both limits farther away from the sensor. This shift is approximately 3.5% of the limit distance for a 20° C change in temperature.

The K50U series ultrasonic sensors are temperature compensated, to reduce sensor errors from temperature by about 90%. Exposure to direct sunlight can affect the sensor's ability to accurately compensate for changes in temperature.

LED Indicators

| | Signal LED (red) | Power LED (green) |
|---|-----------------------|-------------------|
| Power is Off | | Off |
| Sensor is operating normally (power is on, sensor is in Run mode) | | Flashing |
| Serial Communications Transmit/Receive | Intermittent Flashing | |
| Error | Continuous Flashing | |
| Reserved | Off | |

Self-Diagnostic Error Mode—In the unlikely event of a microprocessor memory error, the Signal LED continuously flashes. If this occurs, the setup parameters have been lost and the sensor may be corrupt. Contact your Banner representative for further information.

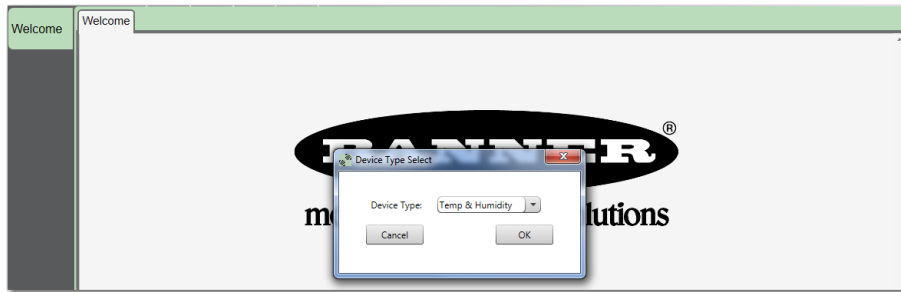
Sensor Configuration Tool

The Sensor Configuration Tool offers an easy way to manage sensor parameters, retrieve data, and visually show sensor data from a number of different sensors. The Sensor Configuration Tool software runs on any Windows machine and uses an adapter cable to connect the sensor to your computer.

Download the most recent version of the Sensor Configuration Tool from Banner Engineering's website: www.bannerengineering.com/wireless. The Sensor Configuration Tool currently supports the following sensors:

| Sensor Type | Model | USB Adapter Cable |
|---------------------------|----------------------|---|
| Temperature and Humidity | M12FTH3Q and M12FT3Q | Model BWA-HW-006: USB-to-RS-485 adapter cable |
| | M12FTH4Q and M12FT4Q | Model BWA-USB1WIRE-001: USB-to-RS-232 1-Wire adapter cable |
| Vibration and Temperature | QM42VT1 | Model BWA-USB1WIRE-001: USB-to-RS-232 1-Wire adapter cable |
| | QM42VT2 | Model BWA-HW-006: USB-to-RS-485 adapter cable |
| GPS | GPS50M | Model BWA-HW-006: USB-to-RS-485 adapter cable AND a field-wireable M12/Euro-style connector or connector with pigtail |
| U-GAGE K50U Ultrasonic | K50UX1RA | Model BWA-USB1WIRE-001: USB-to-RS-232 1-Wire adapter cable |
| | K50UX2RA | Model BWA-HW-006: USB-to-RS-485 adapter cable |

Launch the Sensor Configuration Tool and from the drop-down list, select your sensor type and click OK.



Wiring

This sensor is designed to be plugged directly into compatible Nodes. The Node powers the sensor and periodically requests data using the 1-wire serial interface. Refer to the Class I Division 2 control drawings (p/n [143086](#)) for wiring specifications or limitations.

| 5-pin M12/Euro-style Connector (Male) | Pin | Wire Color | Sensor Connection |
|---------------------------------------|-----|------------|---|
| | 1 | Brown | Power IN (+), 3.6 to 5.5 V dc |
| | 2 | White | 1-Wire serial device select (sinking input to sensing device) |
| | 3 | Blue | Ground (-) |
| | 4 | Black | Not used/reserved |
| | 5 | Gray | 1-Wire serial communications |

Holding Registers

The temperature = (Modbus register value) ÷ 20. The distance (in) = (Modbus register value) ÷ 100.

| Sensor Register | Output Type | I/O Range | | Holding Register Representation | |
|-----------------|---------------|-----------|--------|---------------------------------|-----------|
| | | Min | Max | Min (Dec) | Max (Dec) |
| 1 | Distance (mm) | 0 | 65535 | 0 | 65535 |
| 2 | Temp °C | -1638.4 | 1638.3 | -32768 | 32767 |
| 3 | Temp °F | -1638.4 | 1638.3 | -32768 | 32767 |
| 4 | Distance (in) | 0 | 655.35 | 0 | 65535 |

Distance readings below 250 mm (9.84 in) result in a register value of 0. If no reflection is received because the target is too far away, the register value is an error value of 65535.

Specifications

Supply Voltage

3.6 to 5.5 V dc

Current

Default sensing: 180 µA
 Disabled sensing: 40 µA
 Active comms: 3.3 mA

Performance

Sensing range: 300 mm to 3 m (11.8 in to 118 in)
 Ultrasonic frequency: 114 kHz
 Temperature effect: 0.02% of distance/°C
 Resolution: 0.1% of distance (1.5 mm minimum)

Communication Hardware

1-wire serial interface
 Baud Rates: 9.6k, 19.2k (default), or 38.4k
 Data Format: 8 data bits, No parity (default), even parity, or odd parity
 1 stop bit

Construction

Housing: PBT polyester
 Transducer: epoxy/ceramic composite

Indicators

Two LEDs

Connection

Integral 5-pin M12/Euro-style male quick disconnect (QD)

Discrete Inputs

One Sinking
 Rating: 3 mA max current at 30 V dc
 ON Condition: Less than 0.7 V
 OFF Condition: Greater than 2 V or open

Discrete Outputs

Discrete Outputs. One NMOS Sinking (Not used)
 Discrete Output Rating: Less than 10 mA maximum current at 30 V;
 ON-State Saturation: Less than 0.7 V at 20 mA
 Discrete Output ON Condition. Less than 0.7 V
 Discrete Output OFF Condition. Open

Communication Protocol

Sure Cross DX80 Sensor Node 1-Wire Serial Interface

Communications Line

Level Receive ON: Greater than 2 V
 Level Receive OFF: Less than 0.7 V
 Level Transmit ON: 2.7 to 3 V
 Level Transmit OFF: 0 V (pulldown resistor of 10 kOhm)

Compatible Nodes

900 MHz Models

DX80N9X1S-P6
 DX80N9X6S-P6
 DX80DR9M-H6 and -H6L
 DX80N9Q45U

2.4 GHz Models

DX80N2X1S-P6
 DX80N2X6S-P6
 DX80DR2M-H6 and -H6L
 DX80N2Q45U

Environmental Rating¹

Leakproof design, rated IEC IP67 (NEMA 6)

Operating Conditions

-40 °C to +70 °C (-40 °F to +158 °F)
 95% at +50 °C maximum relative humidity (non-condensing)

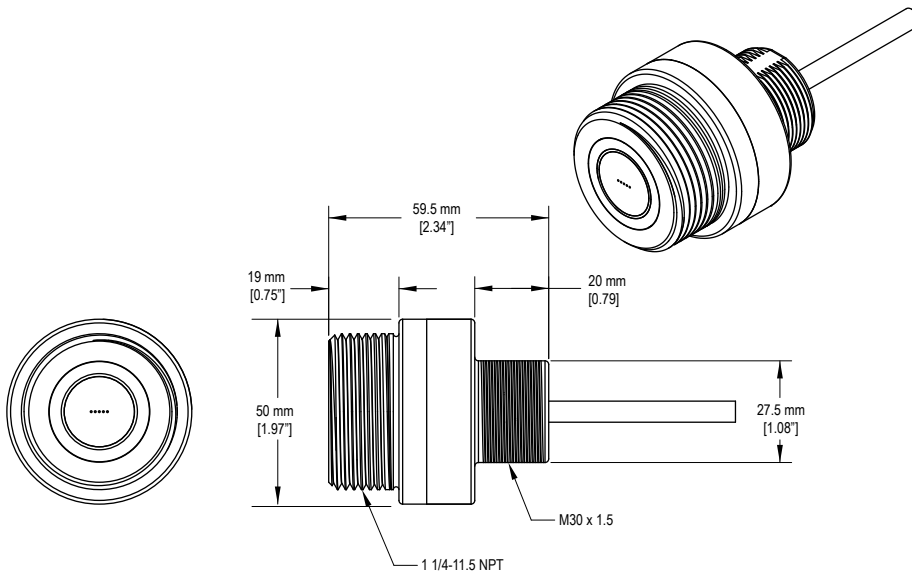
Vibration and Mechanical Shock

All models meet Mil Std. 202F requirements. Method 201A (vibration: 10 Hz to 60 Hz max., double amplitude 0.06 inch, maximum acceleration 10G). Also meets IEC 947-5-2 requirements: 30G 11 ms duration, half sine wave.

Certifications



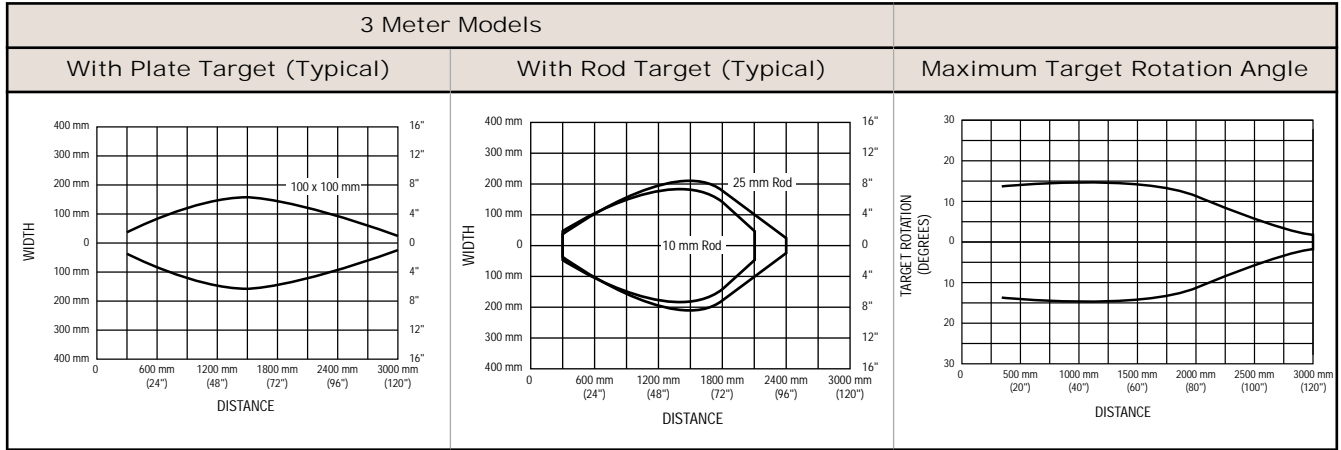
Dimensions



All measurements are listed in millimeters [inches], unless noted otherwise.

¹ Operating the devices at the maximum operating conditions for extended periods can shorten the life of the device.

Performance Curves

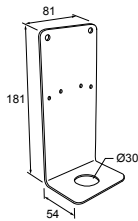


Accessories

Brackets

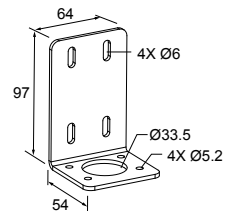
BWA-BK-004

- Mounts both the K50U Ultrasonic sensor and a Wireless Q45U Node or DX80 Node



BWA-BK-006

- Mounts both the K50U Ultrasonic sensor and a Wireless Q45U Node



Euro-Style Cordsets - Double Ended

When using the FlexPower Node with integrated battery, use a double ended cordset. When using a FlexPower Node with external power supply, use a single ended cordset. If using the communication lines, the cable length cannot exceed 3 meters (10 ft).

| 5-Pin Threaded M12/Euro-Style Cordsets—Double Ended and Less Than 3 m Long | | | | |
|--|---------------|-----------------------------------|------------|--|
| Model | Length | Style | Dimensions | Pinout |
| DEE2R-51D | 0.31 m (1 ft) | Female Straight/ Male Straight | | Male |
| DEE2R-53D | 0.91 m (3 ft) | | | |
| DEE2R-58D | 2.44 m (8 ft) | | | <p>1 = Brown 2 = White 3 = Blue 4 = Black 5 = Green/Yellow</p> |

Banner Engineering Corp. Limited Warranty

Banner Engineering Corp. warrants its products to be free from defects in material and workmanship for one year following the date of shipment. Banner Engineering Corp. will repair or replace, free of charge, any product of its manufacture which, at the time it is returned to the factory, is found to have been defective during the warranty period. This warranty does not cover damage or liability for misuse, abuse, or the improper application or installation of the Banner product.

THIS LIMITED WARRANTY IS EXCLUSIVE AND IN LIEU OF ALL OTHER WARRANTIES WHETHER EXPRESS OR IMPLIED (INCLUDING, WITHOUT LIMITATION, ANY WARRANTY OF MERCHANTABILITY OR FITNESS FOR A PARTICULAR PURPOSE), AND WHETHER ARISING UNDER COURSE OF PERFORMANCE, COURSE OF DEALING OR TRADE USAGE.

This Warranty is exclusive and limited to repair or, at the discretion of Banner Engineering Corp., replacement. IN NO EVENT SHALL BANNER ENGINEERING CORP. BE LIABLE TO BUYER OR ANY OTHER PERSON OR ENTITY FOR ANY EXTRA COSTS, EXPENSES, LOSSES, LOSS OF PROFITS, OR ANY INCIDENTAL, CONSEQUENTIAL OR SPECIAL DAMAGES RESULTING FROM ANY PRODUCT DEFECT OR FROM THE USE OR INABILITY TO USE THE PRODUCT, WHETHER ARISING IN CONTRACT OR WARRANTY, STATUTE, TORT, STRICT LIABILITY, NEGLIGENCE, OR OTHERWISE.

Banner Engineering Corp. reserves the right to change, modify or improve the design of the product without assuming any obligations or liabilities relating to any product previously manufactured by Banner Engineering Corp. Any misuse, abuse, or improper application or installation of this product or use of the product for personal protection applications when the product is identified as not intended for such purposes will void the product warranty. Any modifications to this product without prior express approval by Banner Engineering Corp will void the product warranties. All specifications published in this document are subject to change; Banner reserves the right to modify product specifications or update documentation at any time. Specifications and product information in English supersede that which is provided in any other language. For the most recent version of any documentation, refer to: www.bannerengineering.com.