

Conversion instructions

FOR DX30/60 TO DX35/50 UPGRADE KIT



1 Correct use

The “DX30/60 to DX35/50 Upgrade Kit” is designed for carrying out the conversion from the previously used DS60 or DS40 distance sensor to the current DS35 or DS50 distance sensor with the lowest possible cost and effort.

The SICK upgrade kit contains all the accessories required for mechanically mounting the DS35 or DS50 with the help of an adapter plate on the existing DS40 or DS60 drill pattern.

Once you have the required DS35 or DS50 distance sensor you can start with the conversion.

2 Safety information

- Before performing any work with the distance sensor, read this conversion instruction
- The available operating instructions for DS35 or DS50 must also be observed. These can be found on the product pages on our website (www.mysick.com/en/ds35 or www.mysick.com/en/ds50)
- Do not stare into the laser beam.
- Connection, mounting and setting must be performed by qualified personnel.
- Lines must only be established and disconnected with the supply voltage switched off.
- Conducting cross sections of the supply cable from the customer's power system should be designed in accordance with the applicable standards.
- No safety component pursuant to EU machinery directive.

3 Carrying out the conversion

3.1. Record the current sensor type

1. Identify the currently used sensor and write down type code and order number. This is important to choose the correct replacement type (see also chapter 3.3.) and set up the replacement device correctly.

Sensor type: _____ Order number: _____

3.2. Record the current settings

For DS60 and DS40

1. Check the position of the switching point and the behavior for output Q1 and write this down:
Switching point at: _____ mm Q (active-high) Q not (active-low)

For DS60

2. Check the position of the switching point and the behavior for output Q2 and write this down:
Switching point at: _____ mm Q (active-high) Q not (active-low)

Remark: Please consider that the on and off switching point are different due to the hysteresis of the switching output.

In order to allow an easy alignment of the future sensor later on, please mark the position of the light spot of the current sensor. This may for example be done by use of a pen, an adhesive tape or a reference object depending on the application environment you are facing.

3.3. Choose the correct replacement model

Look for the type code of the sensor you are currently using and identify the correct replacement product. For an easy conversion please mark the relevant steps of conversion:

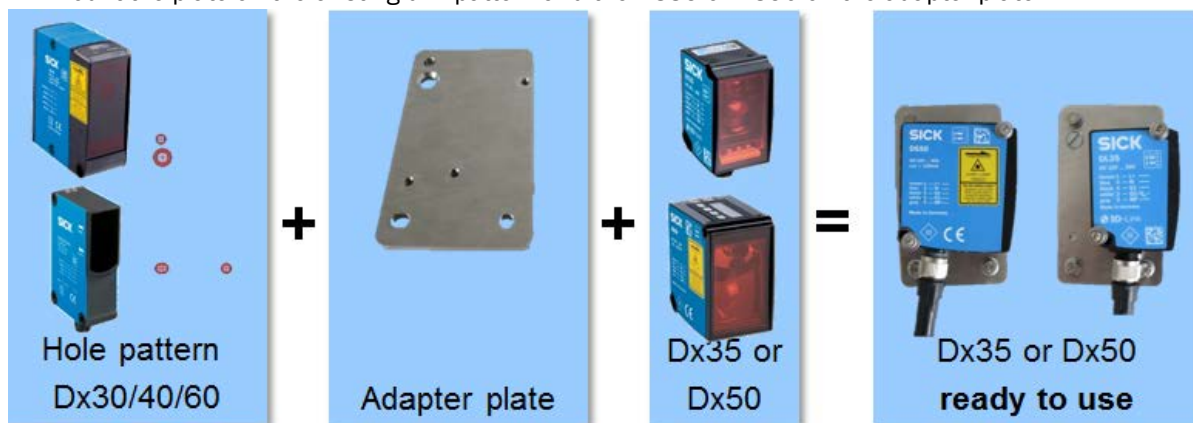
Original device		Steps of conversion	Replacement product	
Type	Order number		Order number	Type
DS60-P51311	1016697	1 - 3.6 ▶ 3.7b ▶ 3.8 ▶ 3.9b ▶ 4.1 ▶ 4.2b ▶ 4.3a ▶ 4.4	1057656	DS35-B15821
DS60-P51131	1041478	1 - 3.6 ▶ 3.7b ▶ 3.8 ▶ 3.9b ▶ 4.1 ▶ 4.2b ▶ 4.3c ▶ 4.4		
DS60-P51111S01	1019331	1 - 3.6 ▶ 3.7b ▶ 3.8 ▶ 3.9b ▶ 4.1a ▶ 4.2b ▶ 4.3a ▶ 4.4		
DS60-P51111	1016695	1 - 3.6 ▶ 3.7b ▶ 3.8 ▶ 3.9b ▶ 4.1 ▶ 4.2b ▶ 4.3a ▶ 4.4		
DS60-P41311	1016689	1 - 3.6 ▶ 3.7b ▶ 3.8 ▶ 3.9a ▶ 4.1a ▶ 4.2a ▶ 4.3a ▶ 4.4	1047402	DS50-P1112
DS60-P41211	1016691	1 - 3.6 ▶ 3.7a ▶ 3.8 ▶ 3.9a ▶ 5.1 ▶ 5.2a ▶ 5.3 ▶ 5.4c ▶ 5.5		
DS60-P41111S03	1023745	1 - 3.6 ▶ 3.7b ▶ 3.8 ▶ 3.9a ▶ 4.1a ▶ 4.2a ▶ 4.3a ▶ 4.4	1057656	DS35-B15821
DS60-P41111	1016687	1 - 3.6 ▶ 3.7b ▶ 3.8 ▶ 3.9a ▶ 4.1 ▶ 4.2a ▶ 4.3a ▶ 4.4		
DS60-P31311	1016693	1 - 3.6 ▶ 3.7b ▶ 3.8 ▶ 3.9b ▶ 4.1b ▶ 4.2b ▶ 4.3a ▶ 4.4		
DS60-P31211	1019132	1 - 3.6 ▶ 3.7a ▶ 3.8 ▶ 3.9b ▶ 5.1a ▶ 5.2b ▶ 5.3 ▶ 5.4a ▶ 5.5	1047402	DS50-P1112
DS60-P31111	1016493	1 - 3.6 ▶ 3.7b ▶ 3.8 ▶ 3.9b ▶ 4.1b ▶ 4.2b ▶ 4.3a ▶ 4.4	1057656	DS35-B15821
DS60-P21311	1016393	1 - 3.6 ▶ 3.7b ▶ 3.8 ▶ 3.9a ▶ 4.1b ▶ 4.2a ▶ 4.3a ▶ 4.4		
DS60-P21231	1018550	1 - 3.6 ▶ 3.7a ▶ 3.8 ▶ 3.9a ▶ 5.1a ▶ 5.2a ▶ 5.3 ▶ 5.4c ▶ 5.5	1047402	DS50-P1112
DS60-P21211	1016396	1 - 3.6 ▶ 3.7a ▶ 3.8 ▶ 3.9a ▶ 5.1a ▶ 5.2a ▶ 5.3 ▶ 5.4a ▶ 5.5		
DS60-P21111	1016361	1 - 3.6 ▶ 3.7b ▶ 3.8 ▶ 3.9a ▶ 4.1b ▶ 4.2a ▶ 4.3a ▶ 4.4	1057656	DS35-B15821
DS60-P11121	1016397	1 - 3.6 ▶ 3.7b ▶ 3.8 ▶ 3.9c ▶ 4.1a ▶ 4.2a ▶ 4.3a ▶ 4.4	1057660	DR35-B15822
DS60-N41311	1016690	1 - 3.6 ▶ 3.7b ▶ 3.8 ▶ 3.9a ▶ 4.1a ▶ 4.2a ▶ 4.3a ▶ 4.4	1057656	DS35-B15821
DS60-N41211	1016692	1 - 3.6 ▶ 3.7a ▶ 3.8 ▶ 3.9a ▶ 5.1 ▶ 5.2a ▶ 5.3 ▶ 5.4c ▶ 5.5	1047404	DS50-N1112
DS60-N41111	1016688	1 - 3.6 ▶ 3.7b ▶ 3.8 ▶ 3.9a ▶ 4.1 ▶ 4.2a ▶ 4.3a ▶ 4.4	1057656	DS35-B15821
DS60-N31311	1016694	1 - 3.6 ▶ 3.7b ▶ 3.8 ▶ 3.9b ▶ 4.1b ▶ 4.2b ▶ 4.3a ▶ 4.4		
DS60-N21311	1016686	1 - 3.6 ▶ 3.7b ▶ 3.8 ▶ 3.9a ▶ 4.1b ▶ 4.2a ▶ 4.3a ▶ 4.4		
DS60-N21211	1016491	1 - 3.6 ▶ 3.7a ▶ 3.8 ▶ 3.9a ▶ 5.1a ▶ 5.2a ▶ 5.3 ▶ 5.4a ▶ 5.5		
DS60-N21111	1016394	1 - 3.6 ▶ 3.7b ▶ 3.8 ▶ 3.9a ▶ 4.1b ▶ 4.2a ▶ 4.3a ▶ 4.4	1057656	DS35-B15821
DS60-N11121	1016492	1 - 3.6 ▶ 3.7b ▶ 3.8 ▶ 3.9c ▶ 4.1a ▶ 4.2a ▶ 4.3a ▶ 4.4	1057660	DR35-B15822
DS40-P41211	1029821	1 - 3.6 ▶ 3.7a ▶ 3.8 ▶ 3.9a ▶ 4.1 ▶ 4.2a ▶ 4.3c ▶ 4.4	1057655	DS35-B15221
DS40-P21221	1043825	1 - 3.6 ▶ 3.7a ▶ 3.8 ▶ 3.9a ▶ 4.1b ▶ 4.2a ▶ 4.3c ▶ 4.4		
DS40-P21211	1029819	1 - 3.6 ▶ 3.7a ▶ 3.8 ▶ 3.9a ▶ 4.1b ▶ 4.2a ▶ 4.3a ▶ 4.4		
DS40-N41211	1029822	1 - 3.6 ▶ 3.7a ▶ 3.8 ▶ 3.9a ▶ 4.1 ▶ 4.2a ▶ 4.3c ▶ 4.4		

3.4. Remove the DS40 or DS60 distance sensor

1. Switch off the system as well as the power supply of the sensor and assure that it can not be switched on again accidentally.
2. Disconnect the cable from the sensor.
3. Dismount and remove the sensor from its base and put the screws and nuts in a safe place in case you may need those later on.
4. Store the DS40 or DS60 distance sensors or properly dispose the ones which are no longer needed.

3.5. Mount the DS35 or DS50

Mount the plate on the existing drill pattern and the DS35 or DS50 on the adapter plate.



3.6. Electrical connection

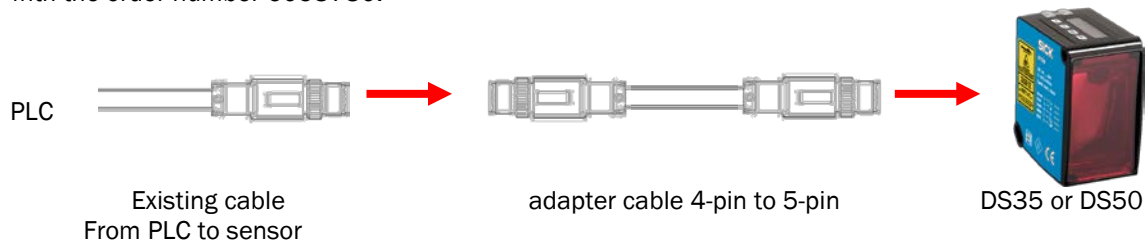
Electrical connection with existing 5-pin cable:

The existing cable from the PLC to the sensor can also be used for the connection of DS35 or DS50.



Electrical connection with existing 4-pin cable:

In case the existing cable does not provide the 5th pin hole either the existing cable has to be replaced by a M12 5 pin cable or an adapter cable is needed in order to be able to connect the DS35 or DS50. An adapter cable from 4-pin to 5-pin is offered by SICK as an accessory. This adapter cable is available with the order number 6053730.



➔ In case the cables are not fully stores, please fasten the cables with cable ties.

3.7. Alignment of the sensor

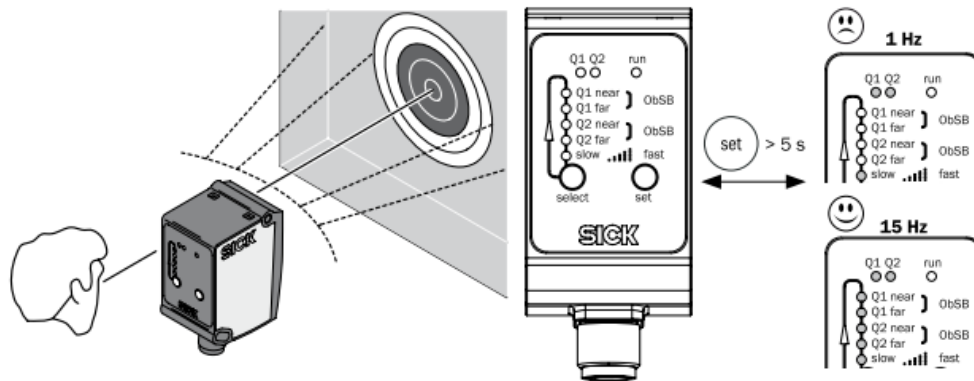
Depending on the conversion process recommended for the product you are replacing, please follow one of the options described below:

a. Alignment of red light version

Align red light spot to desired detection or measurement position.

b. Align infrared light version of DS35

1. Position object
2. Attach a small reflective tape to the center of the object for performing alignment. → See the figure below.
For a simpler alignment, you can also first use the reflective stripe (provided with this upgrade kit) in the horizontal direction and then in the vertical direction.
3. Change the distance sensor to alignment mode. To do this, in run mode, press and hold the set pushbutton for longer than 5 seconds.
4. Align the distance sensor roughly in the direction of the reflective tape.
5. Perform fine adjustment. Align the distance sensor such that the highest possible alignment quality is indicated. The alignment quality is indicated as follows:
 - Using the vertically arranged LEDs Q1 near to slow ... fast: The greater the number of LEDs that light up, the better the alignment quality.
 - using the LEDs Q1 and Q2: The faster both LEDs flash, the better the alignment quality. Slow flashing at approx. 1 Hz corresponds to poor alignment quality (no reflective tape). Rapid flashing at approx. 15 Hz corresponds to high alignment quality (highest reflective level).
6. In order to leave alignment mode, either press and hold the set pushbutton longer than 5 seconds or wait 5 minutes without pressing the pushbuttons.
7. Remove the small reflective tape used for alignment from the object.



3.8. Check light spot geometry

Due to the fact that the light spot geometries of DS35 or DS50 may be different to the previously used DS60 or DS40, please check the light spot size and geometry for its application capabilities. Please optimize the alignment of the new sensor according to the new light spot geometry in order to solve your application best. In case the application can not be solved with the new sensor, please get in contact with your sales representative to select an alternative sensor according to your specific needs.

3.9. Prepare application environment

Depending on the conversion process recommended for the product you are replacing, please follow one of the options described below:

a. Make available an object for detection

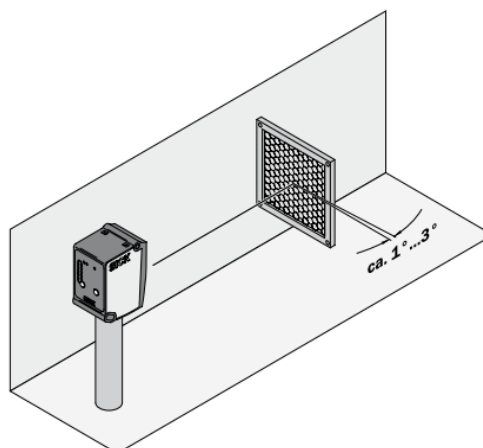
Make an object available if needed for the configuration of the sensor later on.

b. Install background or reference surface.

Install a reference surface if needed for the configuration of the sensor later on.

c. Apply reflector on the measured object

For sensors requiring a reflector, please attach a large reflective tape on the object to be measured or detected. Ensure that the reflective tape is arranged in a way that no direct reflections affect the sensor. In order to do so, the reflector should be tilted by approx. $1^\circ \dots 3^\circ$ as shown in the figure below.



4 Configuring the DS35

In case the DS35 is used as replacement product the configuration of the sensor is described in the following chapters. In case the DS50 is used for the replacement of the old sensor this section can be skipped and you can proceed starting from chapter 5.

4.1. Check required measuring range, response time and repeatability

For the replacement of some sensors it is recommended to adjust the measurement speed of the DS35 distance sensor. If it is recommended to adjust the speed in case of your replacement, please follow the described option below.

For all other user the adjustable speed of the DS35 is an additional option to solve your application even better than before. The selected measurement speed of the DS35 will affect range and repeatability. In order to achieve a wider range and better repeatability the speed can be reduced. At a loss of range and repeatability the speed can be increased which will result in a faster response time of the sensor. In case one of the previous options is desired you may also choose one of the following options.

a. Increase measurement speed of the DS35

1. Press and hold the **select** pushbutton for longer than 5 seconds. The **Q1 near** LED lights up.
2. Press repeatedly the **select** pushbutton until the LED **slow... fast** flashes.
3. Press repeatedly the **set** pushbutton until the desired speed has been set to medium, fast or super fast:
 - LED **slow ... fast** flashes cyclically 2 x: slow (factory setting)
 - LED **slow ... fast** flashes cyclically 3 x: medium
 - LED **slow ... fast** flashes cyclically 4 x: fast
 - LED **slow ... fast** flashes cyclically 5 x: super-fast
4. In order to leave the teach mode, either press and hold the **select** pushbutton for more than 5 seconds or wait 5 minutes without pressing the pushbuttons.

b. Reduce measurement speed of the DS35

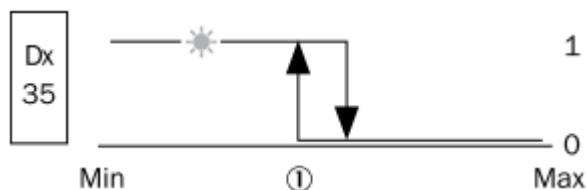
1. Press and hold the **select** pushbutton for longer than 5 seconds. The **Q1 near** LED lights up.
2. Press repeatedly the **select** pushbutton until the LED **slow... fast** flashes.
3. Press repeatedly the **set** pushbutton until the desired speed has been set to super-slow
 - LED **slow ... fast** flashes cyclically 1 x: super-slow
 - LED **slow ... fast** flashes cyclically 2 x: slow (factory setting)
4. In order to leave teach mode, either press and hold the **select** pushbutton for more than 5 seconds or wait 5 minutes without pressing the pushbuttons.

4.2. Set up the outputs

Depending on the conversion process recommended for the product you are replacing, please follow one of the options described below:

a. Teach in Q1 and/or Q2 in Distance to Object (DtO) mode

Option A: In case the output behavior of the previously used sensor was active-high (Q) please follow this description. Otherwise, please proceed with Option A.

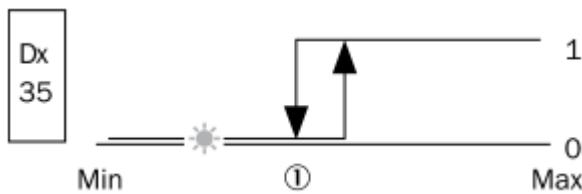


1 Teach point

1. Position object at teach point
2. Press and hold the **select** pushbutton for longer than 5 seconds. **Q1 near** LED lights up.

3. To teach in the switching point
For Q1: Press the **set** pushbutton.
For Q2: Repeatedly press the **select** pushbutton until the **Q2 near** LED lights up.
Press the **set** pushbutton.
4. If the teach was successful **Q1** and **Q2** LEDs flash twice simultaneously. If the teach was not successful, the **Q1** and **Q2** LEDs flash alternately.
5. If fine teach is necessary please refer to the operating instructions of DS35
6. In order to leave teach mode, either press and hold the **select** pushbutton longer than 5 seconds or wait 5 minutes without pressing the pushbuttons.

Option B: In case the output behavior of the previously used sensor was active-low (Q not) please follow this description. Otherwise, please proceed with Option A.

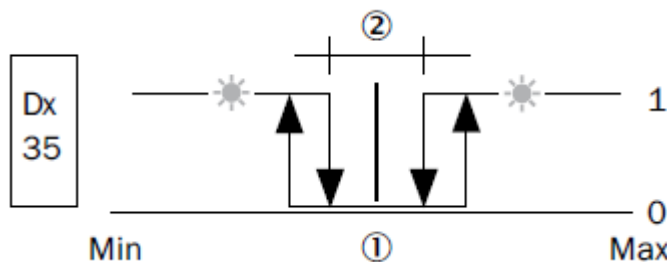


1 Teach point

1. Position object at teach point
2. Press and hold the **select** pushbutton for longer than 5 seconds. **Q1 near** LED lights up.
3. To teach in the switching point:
For Q1: Press the **select** pushbutton. The **Q1 far** LED lights up.
Press the **set** pushbutton.
For Q2: Repeatedly press the **select** pushbutton until the **Q2 far** LED lights up.
Press the **set** pushbutton.
4. If the teach was successful **Q1** and **Q2** LEDs flash twice simultaneously. If the teach was not successful, the **Q1** and **Q2** LEDs flash alternately.
5. If fine teach is necessary please refer to the operating instructions of DS35
6. In order to leave teach mode, either press and hold the **select** pushbutton longer than 5 seconds or wait 5 minutes without pressing the pushbuttons.

b. Teach in Q1 and/or Q2 in Object between Sensor and Background (ObSB) mode

In case of the ObSB mode the output is activated when objects are detected that differ from the background. The tolerance range around the taught-in background is ± 25 mm plus a hysteresis of 25 mm. The hysteresis can be configured only via IO-Link.



1 Teach point

2 Tolerance around teach point: ± 25 mm

1. Align distance sensor on background (teach point 1).
2. Press and hold the **select** pushbutton for longer than 5 seconds. **Q1 near** LED lights up.
3. To teach in the switching point
For Q1: Repeatedly press the **select** pushbutton until **Q1 near** and **Q1 far (ObSB)** LEDs light up.
Press the **set** pushbutton.
For Q2: Repeatedly press the **select** pushbutton until **Q1 near** and **Q1 far (ObSB)** LEDs light up.

Press the **set** pushbutton.

4. If the teach was successful **Q1** and **Q2** LEDs flash twice simultaneously. If the teach was not successful, the **Q1** and **Q2** LEDs flash alternately.
5. If fine teach is necessary please refer to the operating instructions of DS35
6. In order to leave teach mode, either press and hold the **select** pushbutton longer than 5 seconds or wait 5 minutes without pressing the pushbuttons.

Remark: For DS35 no ObSB mode with an active-low (Q not) output behavior is available for teach in. In case this is needed please use DS50 instead or use IO-Link for the setup of the sensor.

4.3. Set up the multifunctional input

Depending on the conversion process recommended for the product you are replacing, please follow one of the options described below:

a. Do not use or deactivate the multifunctional (MF) input

For DS60 and DS40 in most cases no multifunctional input was available. Therefore it needs to be assured that no signals are applied to pin 5 of the DS35 in order to avoid that a teach is carried out accidentally. If this is not possible the multifunctional input needs to be deactivated as described in the following:

1. Press and hold **select** and **set** pushbuttons simultaneously in the run mode for longer than 10 seconds. The **Q1 near** LED lights up and the LED **slow ... fast** flashes cyclically according to the actual setting.
2. Repeatedly press the **set** pushbutton until the LED **slow ... fast** cyclically flashes three times:
 - LED **slow ... fast** flashes 1 x: external teach (default setting)
 - LED **slow ... fast** flashes 3 x: multifunctional input MF inactive.
3. To leave the expert mode, press and hold the **select** and **set** pushbuttons simultaneously for longer than 10 seconds or wait 5 minutes without pressing the pushbuttons.

b. Set the function of the multifunctional input to laser off

In case the multifunctional input is required to directly switch off the laser whenever a signal is applied to pin 5 of the DS35 the steps described below have to be followed:

1. Press and hold **select** and **set** pushbuttons simultaneously in the run mode for longer than 10 seconds. The **Q1 near** LED lights up and the LED **slow ... fast** flashes cyclically according to the actual setting.
2. Repeatedly press the **set** pushbutton until the LED **slow ... fast** cyclically flashes twice:
 - LED **slow ... fast** flashes 1 x: external teach (default setting)
 - LED **slow ... fast** flashes 2 x: laser off
3. To leave expert mode, press and hold the **select** and **set** pushbuttons simultaneously for longer than 10 seconds or wait 5 minutes without pressing the pushbuttons.

c. Use the multifunctional input for external teach

In case the multifunctional input is used for the external teach no settings have to be changed, as this is the default setting of the Dx35. Therefore, please check which teach functions are used and adjust the settings in the PLC according to the timing of the DS35 as shown in the following table:

The timing tolerance for the two "Move last teach point" functions is ± 20 ms. For all other teach functions the timing tolerance is ± 30 ms.

Teach function	Time
Move last teach point + 10 mm	60 ms
Move last teach point - 10 mm	120 ms
Switch off laser	200 ms
Switch on laser	300 ms
Teach in active-high behavior for Q1 distance to object	400 ms
Teach in active-low behavior for Q1 distance to object	500 ms
Teach in Q1 object between sensor and background	800 ms
Teach in active-high behavior for Q2 distance to object	1000 ms

Teach in active-low behavior for Q2 distance to object	1100 ms
Teach in Q2 object between sensor and background	1400 ms
Laser off	> 3000 ms

For more information regarding the external teach functionality of DS35 incl. additional teach options, please refer to the operating instructions of the sensor.

4.4. Additional settings or possibilities

The DS35 offers a much wider range of settings and possibilities than the DS60 or DS40. This may allow solving applications in an easier or better way than in the past. For more details regarding these additional features and settings, please refer to the operating instructions of your new DS35 sensor.

5 Configuring the DS50

In case the DS50 is used as replacement product the configuration of the sensor is described in the following chapters. In case the DS35 is used for the replacement of the old sensor please refer to chapter 4 instead.

5.1. Check required response time and repeatability

For the replacement of some sensors it is recommended to adjust the averaging setting of the DS50 distance sensor. If it is recommended to adjust the averaging in case of your replacement, please follow the described option below. Otherwise you can skip the next step.

a. Increase measurement speed of the DS35

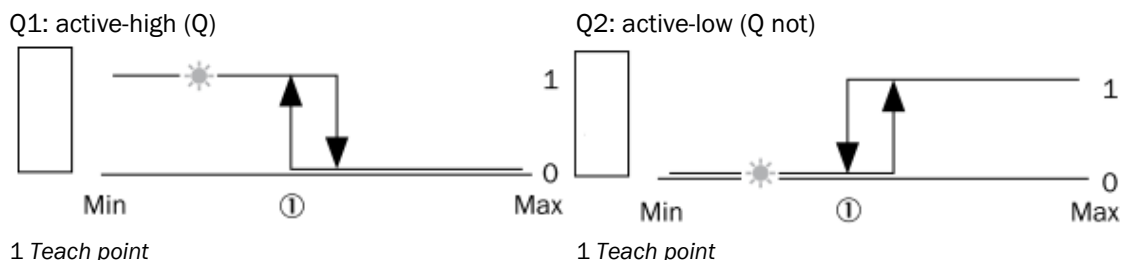
1. In **run-mode** press the **set-pushbutton** for less than 1 second. **Menu** will be displayed in the **set-mode**.
2. Press the **set-pushbutton**. **Mode** will be displayed in the **men-mode**.
3. Repeatedly press the **down pushbutton** until **Averag** is displayed. Press the **set-pushbutton**. Choose **Fast** by pressing the **down-pushbutton** and confirm setting by pressing the **set-pushbutton**.
4. In order to leave the **set-mode** press the **esc-pushbutton** repeatedly until the **run-mode** is shown again.

5.2. Set up the outputs

Depending on the conversion process recommended for the product you are replacing, please follow one of the options described below:

a. Teach in Q1 and/or Q2 in Distance to Object (DtO) mode

In case of the DS50 the output behavior by default is as follows:



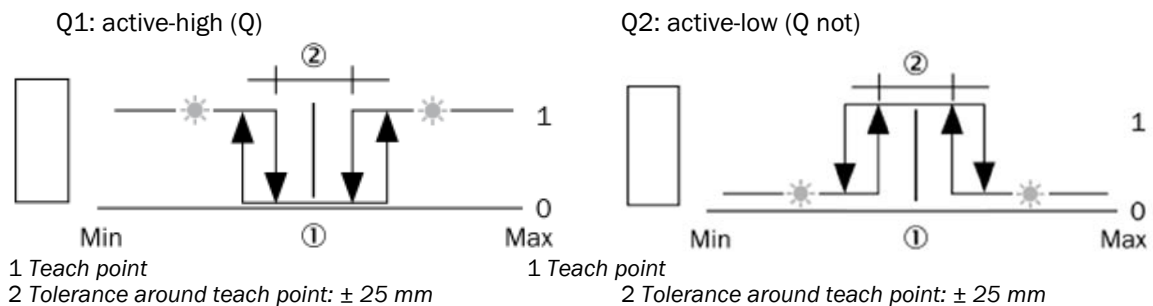
1. In **run-mode** press the **set-pushbutton** for less than 1 second. **Menu** will be displayed in the **set-mode**.
2. Position object at teach point
3. To teach in the switching point
 - For Q1: Repeatedly press the **down pushbutton** until **Q1** is displayed in the **set-mode**. Press the **set pushbutton** to teach in the current distance.
 - For Q2: Repeatedly press the **down pushbutton** until **Q2** is displayed in the **set-mode**. Press the **set pushbutton** to teach in the current distance.

4. If the teach was successful **Q1** and **Q2** LEDs flash twice simultaneously. If the teach was not successful, the **Q1** and **Q2** LEDs flash alternately.
5. If the switching point needs to be adjusted manually please refer to the operating instructions of DS50
6. In order to leave the **set-mode** press the **esc-pushbutton**.

Remark: In case your application requires a different output behavior, please change the behavior as described in chapter "5.3 Optional: Change the output behavior of DS50".

b. Teach in Q1 and/or Q2 in Object between Sensor and Background (ObSB) mode

In case of the DS50 the output behavior by default is as follows:



1. In **run-mode** press the **set-pushbutton** for less than 1 second. **Menu** will be displayed in the **set-mode**.
2. Press the **down-pushbutton**. **Mode** will be displayed in the **set-mode**
3. Press the **set-pushbutton**. Choose **ObSB** by pressing the **down-pushbutton** and confirm setting by pressing the **set-pushbutton**.
4. Position reference background to be taught in.
5. To teach in the background:
 - For Q1: Press the **down pushbutton**. **Q1** is displayed in the **set-mode**. Press the **set pushbutton** to teach in the current background.
 - For Q2: Repeatedly press the **down pushbutton** until **Q2** is displayed in the **set-mode**. Press the **set pushbutton** to teach in the current background.
6. If the teach was successful **Q1** and **Q2** LEDs flash twice simultaneously. If the teach was not successful, the **Q1** and **Q2** LEDs flash alternately.
7. If the switching point needs to be adjusted manually please refer to the operating instructions of DS50
8. In order to leave the **set-mode** press the **esc-pushbutton**.

Remark: In case your application requires a different output behavior, please change the behavior as described in chapter "5.3 Optional: Change the output behavior of DS50".

5.3. Optional: Change the output behavior of DS50

In case your application requires a different output behavior, the behavior can be changed as described in the following:

1. In **run-mode** press the **set-pushbutton** for less than 1 second. **Menu** will be displayed in the **set-mode**.
2. Press the **set-pushbutton**. **Mode** will be displayed in the **men-mode**.
3. To invert the switching behavior:
 - For Q1: Repeatedly press the **down pushbutton** until **Q1Log** is displayed. Press the **set-pushbutton**. Choose **/Q** by pressing the **down-pushbutton** and confirm setting by pressing the **set-pushbutton**.
 - For Q2: Repeatedly press the **down pushbutton** until **Q2Log** is displayed. Press the **set-pushbutton**. Choose **Q** by pressing the **down-pushbutton** and confirm setting by pressing the **set-pushbutton**.

- In order to leave the **set-mode** press the **esc-pushbutton** repeatedly until the **run-mode** is shown again.

5.4. Set up the multifunctional input

Depending on the conversion process recommended for the product you are replacing, please follow one of the options described below:

a. Do not use or deactivate the multifunctional (MF) input

For DS60 and DS40 in most cases no multifunctional input was available. Therefore it needs to be assured that no signals are applied to pin 5 of the DS50 in order to avoid that the laser is switched off accidentally. If this is not possible the multifunctional input needs to be deactivated as described in the following:

- In **run-mode** press the **set**-pushbutton for less than 1 second. **Menu** will be displayed in the **set-mode**.
- Press the **set**-pushbutton. **Mode** will be displayed in the **men-mode**.
- Repeatedly press the **down** pushbutton until **MF** is displayed. Press the **set**-pushbutton. Choose **MF-Off** by repeatedly pressing the **down**-pushbutton and confirm the setting by pressing the **set**-pushbutton.
- In order to leave the **set-mode** press the **esc**-pushbutton repeatedly until the **run-mode** is shown again.

b. Use laser off function for MF (multifunctional input)

In case the multifunctional input is used to directly switch off the laser whenever a signal is applied to pin 5 no settings have to be changed, as this is the default setting of the DS50. Therefore it only has to be checked that the signal levels are set up in the PLC accordingly.

c. Choose external teach functionality and adjust PLC accordingly

In case the multifunctional input is required for the external teach functionality the steps described below have to be followed:

- In **run-mode** press the **set**-pushbutton for less than 1 second. **Menu** will be displayed in the **set-mode**.
- Press the **set**-pushbutton. **Mode** will be displayed in the **men-mode**.
- Repeatedly press the **down** pushbutton until **MF** is displayed. Press the **set**-pushbutton. Choose **Teach** by pressing the **down**-pushbutton and confirm the setting by pressing the **set**-pushbutton.
- In order to leave the **men-mode** press the **esc**-pushbutton repeatedly until the **run-mode** is shown again.

After that, please check which teach functions are used and adjust the settings in the PLC according to the timing of the DS50 as shown in the following table:

The timing tolerance is ± 30 ms for all teach functions.

Teach function	Time
Teach in active-high behavior for Q1:	100 ms
Teach in active-low behavior for Q1:	300 ms
Teach in active-high behavior for Q2:	500 ms
Teach in active-low behavior for Q2:	700 ms
Laser Off:	> 1500 ms

For more information regarding the external teach functionality of DS50 incl. additional teach options, please refer to the operating instructions of the sensor.

5.5. Additional settings or possibilities

The DS50 offers a much wider range of settings and possibilities than the DS60 or DS40. This may allow solving applications in an easier or better way than in the past. For more details regarding these additional features and settings, please refer to the operating instructions of your new DS50 sensor.

Australia

Phone +61 3 9457 0600
1800 334 802 - tollfree
E-Mail sales@sick.com.au

Belgium/Luxembourg

Phone +32 (0)2 466 55 66
E-Mail info@sick.be

Brasil

Phone +55 11 3215-4900
E-Mail sac@sick.com.br

Canada

Phone +1 905 771 14 44
E-Mail information@sick.com

Česká republika

Phone +420 2 57 91 18 50
E-Mail sick@sick.cz

China

Phone +86 4000 121 000
E-Mail info.china@sick.net.cn
Phone +852-2153 6300
E-Mail ghk@sick.com.hk

Danmark

Phone +45 45 82 64 00
E-Mail sick@sick.dk

Deutschland

Phone +49 211 5301-301
E-Mail info@sick.de

España

Phone +34 93 480 31 00
E-Mail info@sick.es

France

Phone +33 1 64 62 35 00
E-Mail info@sick.fr

Great Britain

Phone +44 (0)1727 831121
E-Mail info@sick.co.uk

India

Phone +91-22-4033 8333
E-Mail info@sick-india.com

Israel

Phone +972-4-6881000
E-Mail info@sick-sensors.com

Italia

Phone +39 02 27 43 41
E-Mail info@sick.it

Japan

Phone +81 (0)3 3358 1341
E-Mail support@sick.jp

Magyarország

Phone +36 1 371 2680
E-Mail office@sick.hu

Nederland

Phone +31 (0)30 229 25 44
E-Mail info@sick.nl

Norge

Phone +47 67 81 50 00
E-Mail sick@sick.no

Österreich

Phone +43 (0)22 36 62 28 8-0
E-Mail office@sick.at

Polska

Phone +48 22 837 40 50
E-Mail info@sick.pl

România

Phone +40 356 171 120
E-Mail office@sick.ro

Russia

Phone +7-495-775-05-30
E-Mail info@sick.ru

Schweiz

Phone +41 41 619 29 39
E-Mail contact@sick.ch

Singapore

Phone +65 6744 3732
E-Mail sales.gsg@sick.com

Slovenija

Phone +386 (0)1-47 69 990
E-Mail office@sick.si

South Africa

Phone +27 11 472 3733
E-Mail info@sickautomation.co.za

South Korea

Phone +82 2 786 6321/4
E-Mail info@sickkorea.net

Suomi

Phone +358-9-25 15 800
E-Mail sick@sick.fi

Sverige

Phone +46 10 110 10 00
E-Mail info@sick.se

Taiwan

Phone +886 2 2375-6288
E-Mail sales@sick.com.tw

Türkiye

Phone +90 (216) 528 50 00
E-Mail info@sick.com.tr

United Arab Emirates

Phone +971 (0) 4 88 65 878
E-Mail info@sick.ae

USA/México

Phone +1(952) 941-6780
1 (800) 325-7425 - tollfree
E-Mail info@sickusa.com

More representatives and agencies
at www.sick.com