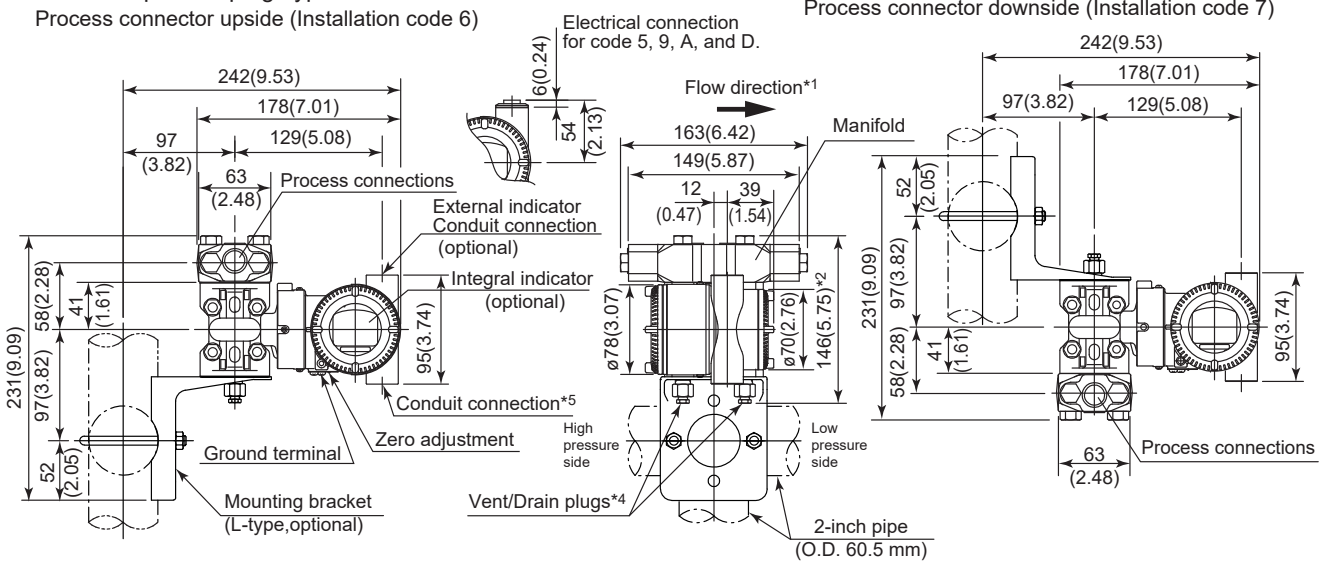


Unit: mm (approx. inch)

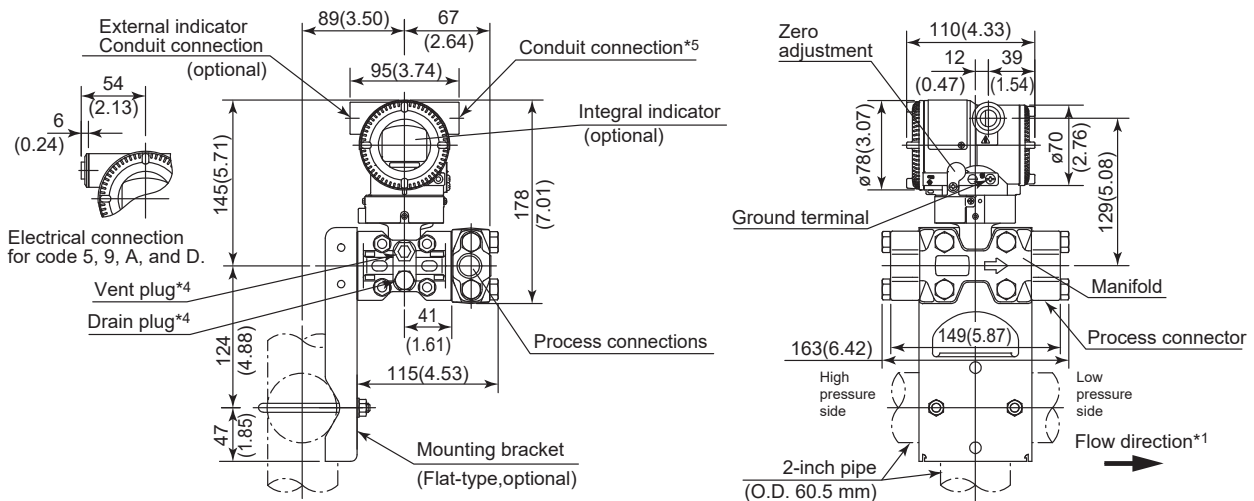
Measurement Span Code: M, H

- Vertical Impulse Piping Type

Process connector upside (Installation code 6)



- Horizontal Impulse Piping Type (Installation code 9)



*1: When Installation code 2, 3, or 8 is selected, the flow direction on above figure is reversed.

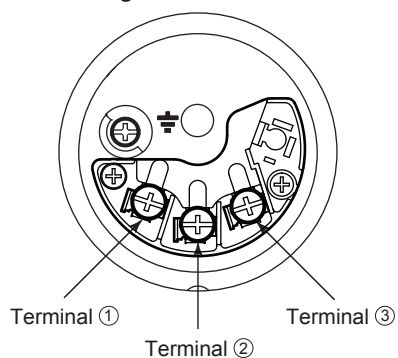
*2: When Option code K1, K2, K5, K6, K41, K42, K45, or K46 is selected, add 15 mm (0.59 inch) to the value in the figure.

*3: When electrical connection code 7 or C is selected, a blind plug is protruded up to 8 mm (0.31 inch) from the conduit connection.


*4: When option code UN is specified, Vent/Drain holes and plugs are not applicable.

*5: When option code PP is selected, a blind plug is attached to the conduit connection on both sides.

- Terminal Configuration



- Terminal Wiring

SUPPLY	+	①	Power supply and output terminals
	-	②	
CHECK	+	③	External indicator (ammeter) terminals*1*2
or	-	②	
ALARM	+	③	Status contact output terminals*2 (when /AL is specified)
	-	②	
			 Ground terminal

*1: When using an external indicator or check meter, the internal resistance must be 10 Ω or less. A check meter or indicator cannot be connected when /AL option is specified.

*2: Not available for FOUNDATION Fieldbus and PROFIBUS PA communication types.