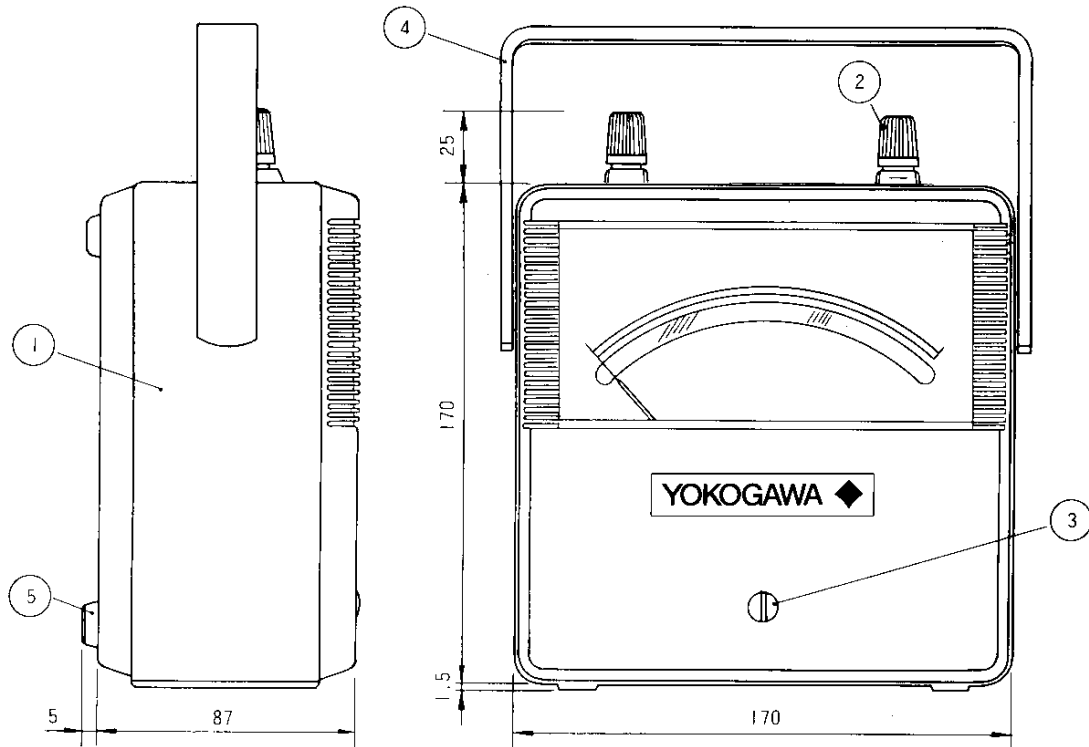


# Drawings

## 2011 41, 2011 42 Portable DC Ammeter And Voltmeter

Unit : mm  
(approx. inch)



No.	Name
①	Case
②	Terminal
③	Zero adjuster
④	Carrying strap
⑤	Leg

Unless otherwise specified here, all dimensions should be applied tolerance of  
 $\pm 3\%$  ( $\pm 0.3\text{mm}$  in case less than 10 mm.).

WEIGHT APPROX. kg

**YOKOGAWA** ◆

SD 2011 41-E  
 1st Edition: Oct 1, 1986  
 2nd Edition: May, 26, 1989