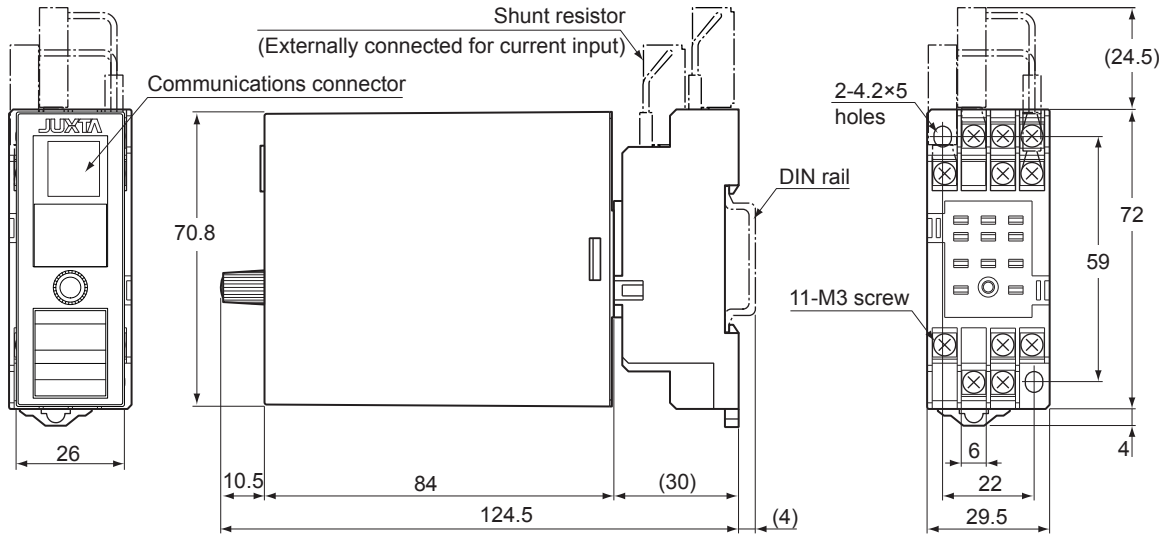


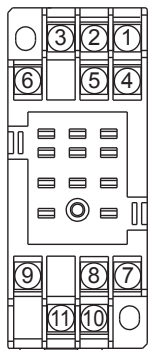
SD 77J01S11-01E

Unit: mm

### External Dimensions



### Terminal Assignments



1	Input-1	(+)
2	Output-2	(+)
3	Input-1	(-)
4	Input-2	(+)
5	Output-2	(-)
6	Input-2	(-)
7	Output-1	(+)
8	GND	(GND)
9	Output-1	(-)
10	Supply	(L+)
11	Supply	(N-)

Note: Do not use output-2 for the single-output type.