

Drawings

PH72SN-□1, -□2, -□3 pH Sensor for PH71, PH72 Personal pH Meter

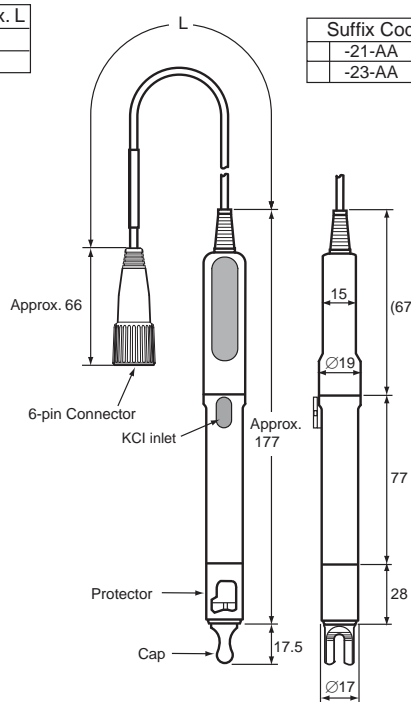
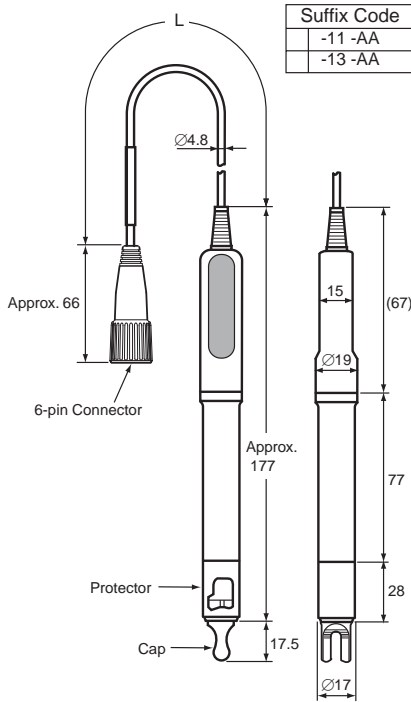
□ KCl Replenish-free Type pH Sensor

Suffix code: -11, -13

□ KCl Refillable Type pH Sensor

Suffix code: -21, -23

Unit: mm



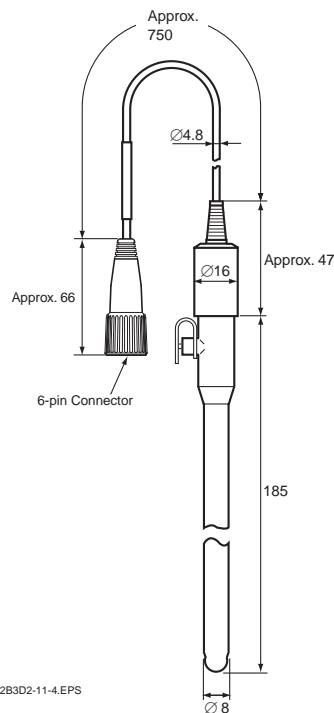
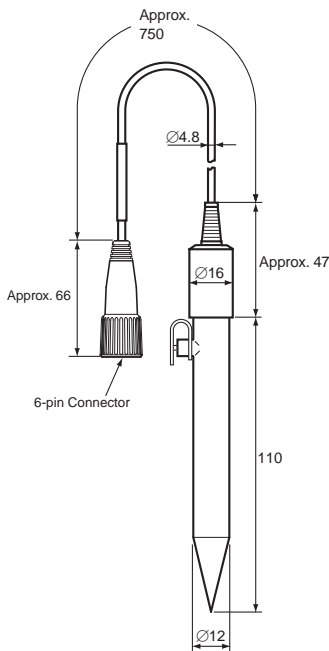
SD12B3D2-11-3.EPS

□ Needle Type pH Sensor

Suffix code: -32

□ Test Tube Size pH Sensor

Suffix code: -33



SD12B3D2-11-4.EPS

Weight : Approx. 100 g to 800 g

Unless otherwise specified, differences in the dimensions are specified as : General tolerance=(Criteria of tolerance class IT18 in JIS B0401-1986)/2.