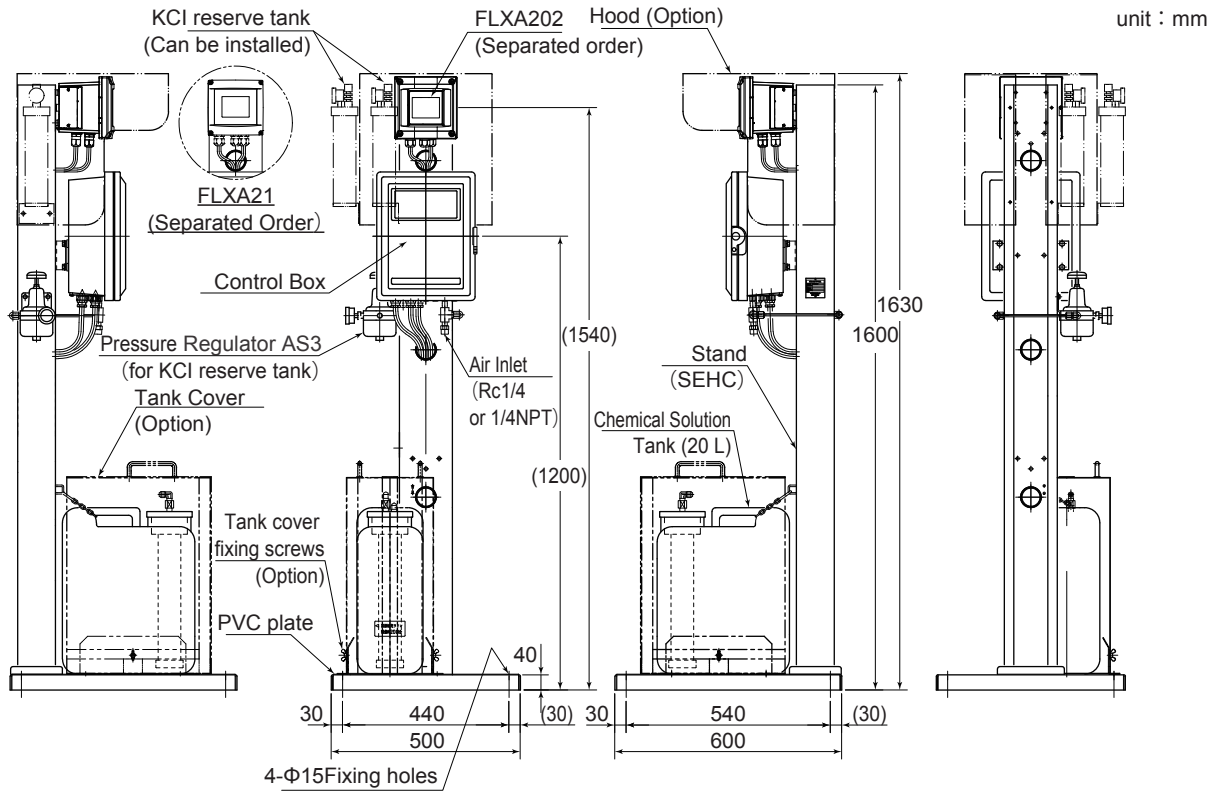
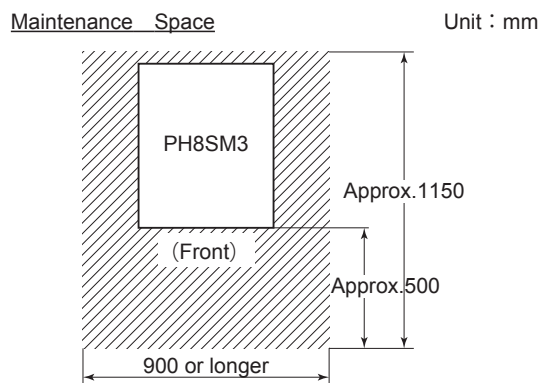


# Drawings

## Chemical Cleaning pH Measuring System Operating Unit for Chemical Cleaning System PH8SM3-F, -G (FLXA21, FLXA202)



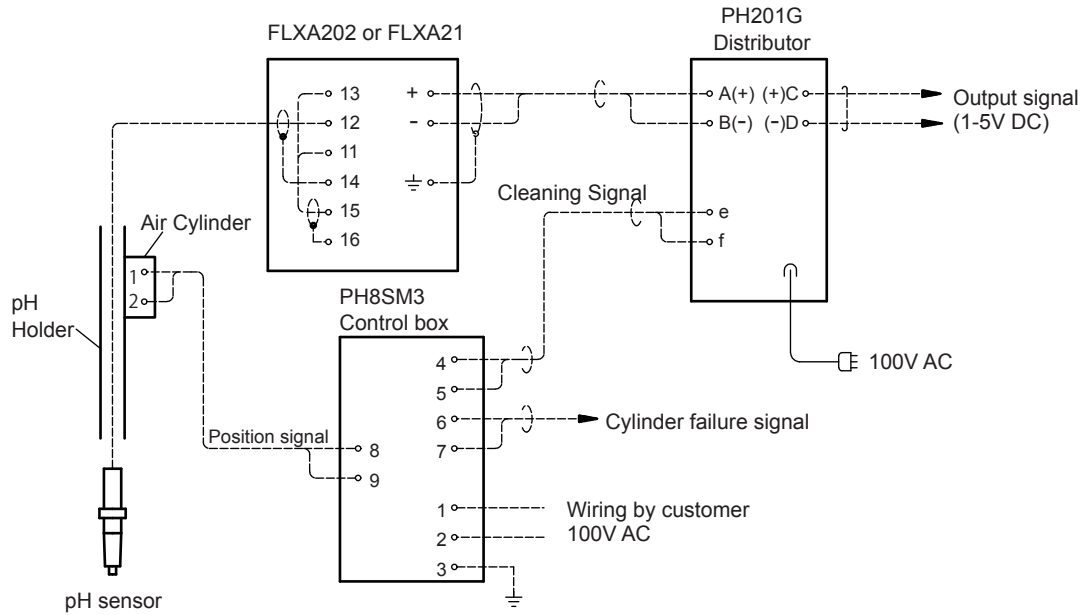
Weight: Approx. 50 kg  
(when the tank is empty.)



- (1) The maximum tubes length between the cleaning unit and the sensor holder is 10 m.
- (2) Install the stand at the same level as the sensor holder. If not, you can install the stand a maximum of 2 m below the holder level. Installation above the holder level causes no problem.

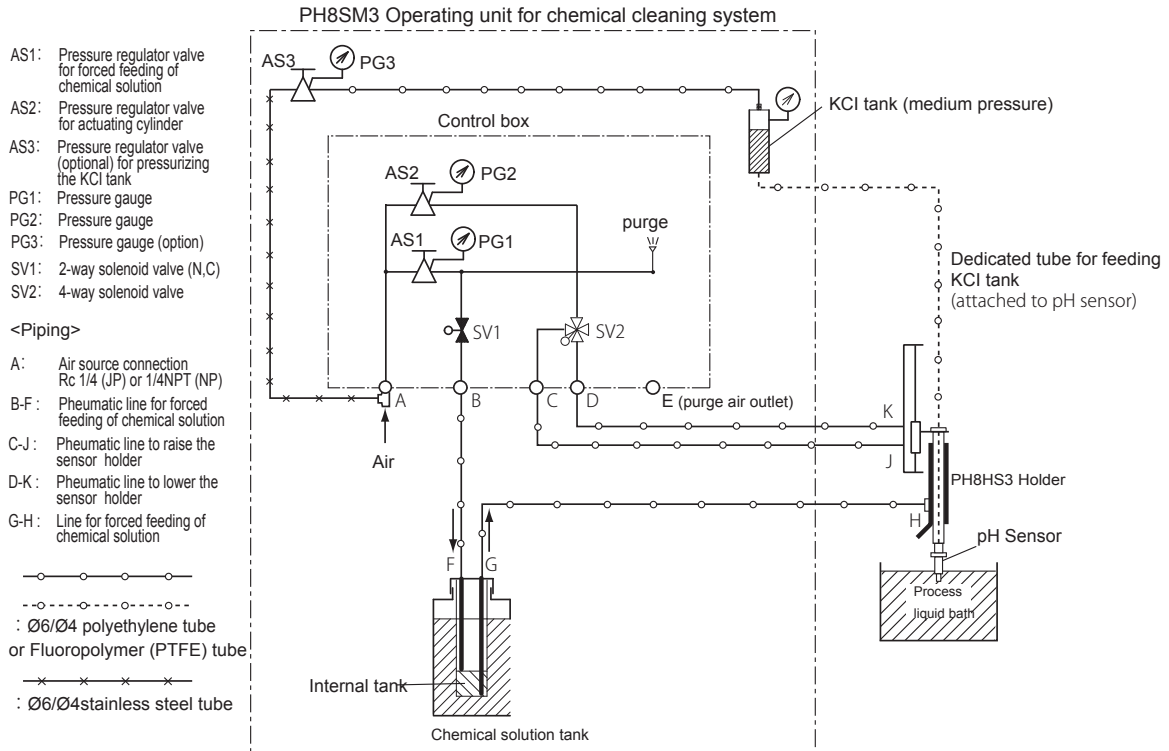
Unless otherwise specified, differences in the dimensions are specified as: General tolerance =  $\pm$ (Criteria of tolerance class IT18 in JIS B0401-1998)/2.

## Wiring diagram



Electrical connections on the control box : Watertight plastic gland equivalent to JIS A15 (outside diameter : 9 to 12mm)

## Piping diagram



- AS1: Pressure regulator valve for forced feeding of chemical solution
- AS2: Pressure regulator valve for actuating cylinder
- AS3: Pressure regulator valve (optional) for pressurizing the KCl tank
- PG1: Pressure gauge
- PG2: Pressure gauge
- PG3: Pressure gauge (option)
- SV1: 2-way solenoid valve (N,C)
- SV2: 4-way solenoid valve

### <Piping>

- A: Air source connection Rc 1/4 (JP) or 1/4NPT (NP)
- B-F: Pneumatic line for forced feeding of chemical solution
- C-J: Pneumatic line to raise the sensor holder
- D-K: Pneumatic line to lower the sensor holder
- G-H: Line for forced feeding of chemical solution

- : Ø6/Ø4 polyethylene tube or Fluoropolymer (PTFE) tube
- x-x-x-x-x- : Ø6/Ø4stainless steel tube

### <Connection>

- A, B, C, D, E: Rc1/4 with Ø6/Ø4 tube joints
- F, G, H, J, K: Ø6/Ø4 tube joints

F07.ai

- Note 1: For the piping between the cleaning unit and the sensor holder, a 40 m tube including joints are provided with the product. Cut the tube to required length for use. The maximum length is 10 m to pipe between the cleaning unit and the sensor.
- Note 2: The tubes and joints are made of polyethylene resin or Fluoropolymer (PTFE). They should be replaced approximately once a year, although the intervals may vary depending on the chemicals used.