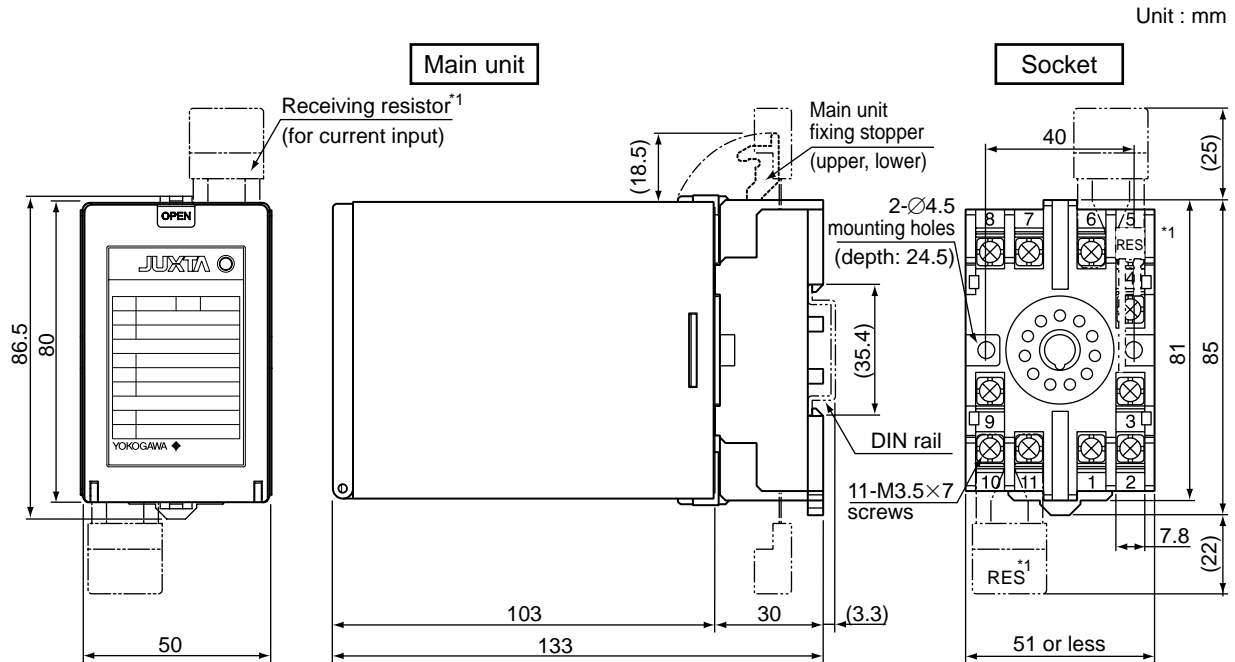


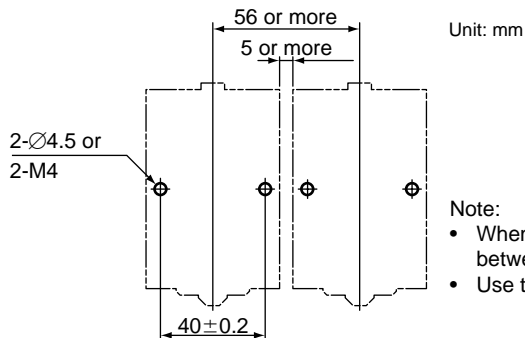
SD 77J04X13-01E

External Dimension



*1: The receiving resistor is supplied for the input signal suffix code "A"

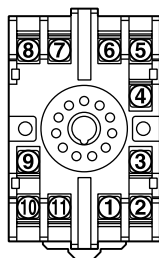
Mounting Dimensions



Note:

- When mounting the units close together, leave a space of at least 5 mm between them.
- Use the supplied spacer to keep a space of 5 mm for DIN rail mounting.

Terminal Assignments



1	OUTPUT	(+)
2	OUTPUT	(-)
3	INPUT 2	(+)
4	INPUT 2	(-)
5	INPUT 1	(+)
6	INPUT 1	(-)
7	SUPPLY	(L+)
8	SUPPLY	(N-)
9	GND	(GND)
10	INPUT 3	(+)
11	INPUT 3	(-)