

GM-FA-10J Gate Monitoring Safety Module



Datasheet

24 V ac/dc operation, 1- or 2-Channel Input

Original Instructions



- Monitors one or two safety switches for a contact failure or wiring fault
- Two output switching channels for connection to control-reliable power interrupt circuits
- Auto reset or monitored manual reset
- Design complies with standards UL991, ISO 14119, and EN ISO 13849-1 (Safety Category 2, 3 or 4)
- For use in functional stop category 0 applications per NFPA 79 and IEC 60204-1
- 6 amp safety output contacts
- Plug-in terminal blocks
- If terminal blocks are swapped, Module remains functional with no loss of safety function

Overview

The GM-FA-10J Gate Monitor Safety Module (the “Safety Module”) is used to verify the proper operation of coded magnetic safety switches and positive-opening safety switches by monitoring a normally open (N.O.) and a normally closed (N.C.) contact from each switch. It can also be used to monitor and verify the correct state of two redundant current-sourcing PNP signals. (One PNP source must be Normally OFF and the other Normally Conducting for each input channel.) In a typical application, two safety switches (individually mounted) indicate the open or closed status of a gate, moveable guard, or barrier (all called “guards” throughout this document).

Two functions of the Safety Module are:

1. To monitor the contacts and wiring of safety switches for certain failures and to prevent the machine from restarting if the switch or the Module fails, and
2. To provide a reset routine after closing the guard and returning the inputs to their “closed” condition. This reset function may be required by machine safety standards.

The Safety Module monitors each switch for complementary switching; each channel must have one open (OFF) input and one closed (**conducting**) input at all times. These inputs must always be in opposite states and must switch state within 1 second of each other. Channel 1 has a “guard closed” condition when S11/S13 is closed and S11/S12 is open. Similarly, Channel 2 has a “guard closed” condition when S21/S23 is closed and S21/S22 is open (see [Figure 2](#) on page 6 and [Figure 3](#) on page 6). The Safety Module also will detect and properly respond to a short circuit between the channels and a short circuit to other sources of power. The Safety Module will open the safety outputs within 35 milliseconds of the switching of either channel when the guard opens.

When the guard closes, debounce logic in the Safety Module’s inputs increases the reliability and repeatability of successfully resetting the Safety Module and reduces the necessity of re-cycling the guard. This feature can result in increased efficiency of the machine, even if the guard is misaligned or vibration is present.

Important: Read This First!

The user is responsible for **satisfying** all local, state, and **national** laws, rules, codes, and regulations relating to the use of this product and its application. Banner Engineering Corp. has made every effort to provide complete application, installation, operation, and maintenance instructions. Please contact a Banner Applications Engineer with any questions regarding this product.

The user is responsible for making sure that all machine operators, maintenance personnel, electricians, and supervisors are thoroughly familiar with and understand all instructions regarding the installation, maintenance, and use of this product, and with the machinery it controls. The user and any personnel involved with the installation and use of this product must be thoroughly familiar with all applicable standards, some of which are listed within the specifications. Banner Engineering Corp. makes no claim regarding a specific recommendation of any organization, the accuracy or effectiveness of any information provided, or the appropriateness of the provided information for a specific application.

Applicable U.S. Standards

ANSI B11 Standards for Machine Tools Safety

Contact: Safety Director, AMT – The Association for Manufacturing Technology, 7901 Westpark Drive, McLean, VA 22102, Tel.: 703-893-2900

ANSI NFPA 79 Electrical Standard for Industrial Machinery



Contact: National Fire Protection Association, 1 Batterymarch Park, P.O. Box 9101, Quincy, MA 02269-9101, Tel.: 800-344-3555

ANSI/RIA R15.06 Safety Requirements for Industrial Robots and Robot Systems

Contact: Robotic Industries Association, 900 Victors Way, P.O. Box 3724, Ann Arbor, MI 48106, Tel.: 734-994-6088

Applicable **International** Standards

EN ISO 12100 Safety of Machinery – Basic Concepts, General Principles for Design

EN 60204-1 Electrical Equipment of Machines Part 1: General Requirements

EN ISO 13849-1 Safety-Related Parts of Control Systems

EN 13855 (EN 999) The Positioning of Protective Equipment in Respect to Approach Speeds of Parts of the Human Body

ISO 14119 (EN 1088) Interlocking Devices Associated with Guards – Principles for Design and Selection

Also, request a type “C” standard for your specific machinery.

Contact: Global Engineering Documents, 15 Inverness Way East, Englewood, CO 80112-5704, Tel.: 800-854- 7179

Certificate of Adequacy

This Safety Module datasheet (p/n 60998) satisfies the requirements of Machinery Directive 2006/42/EC, Section 1.7.4 — instructions.

Safety Circuit Integrity and EN ISO 13849-1 Safety Circuit Principles

Safety circuits involve the safety-related functions of a machine that minimize the level of risk of harm. These safety-related functions can prevent initiation, or they can stop or remove a hazard. The failure of a safety-related function or its associated safety circuit usually results in an increased risk of harm.

The integrity of a safety circuit depends on several factors, including fault tolerance, risk reduction, reliable and well-tried components, well-tried safety principles, and other design considerations.

Depending on the level of risk associated with the machine or its operation, an appropriate level of safety circuit integrity (performance) must be incorporated into its design. Standards that detail safety performance levels include ANSI B11.19 Performance Criteria for Safeguarding and EN ISO 13849-1 Safety-Related Parts of a Control System.

Safety Circuit Integrity Levels

Safety circuits in International and European standards have been segmented into categories, depending on their ability to maintain their integrity in the event of a failure. The most recognized standard that details safety circuit integrity levels is EN ISO 13849-1, which establishes five levels: Categories B, 1, 2, 3, and the most stringent, Category 4.

In the United States, the typical level of safety circuit integrity has been called “control reliability.” Control reliability typically incorporates redundant control and self-checking circuitry and has been loosely equated to EN ISO 13849-1 Categories 3 and 4 (see CSA Z432 and ANSI B11.TR4).

If the requirements described by EN ISO 13849-1 are to be implemented, a risk assessment must first be performed to determine the appropriate category, in order to ensure that the expected risk reduction is achieved. This risk assessment must also take into account national regulations, such as U.S. control reliability or European “C” level standards, to ensure that the minimum level of performance that has been mandated is complied with.

Fault Exclusion

An important concept within the category requirements of EN ISO 13849-1 is the probability of the occurrence of the failure, which can be decreased using the “fault exclusion” method. This method assumes that the possibility of certain well-defined failure(s) can be reduced to a point where the resulting fault(s) can be disregarded.

Fault exclusion is a tool a designer can use during the development of the safety-related part of the control system and the risk assessment process. It allows the designer to eliminate the possibility of various failures and justify it through the risk assessment process to meet the requirements of Categories 2, 3, or 4. See EN ISO 13849-1/-2 for further information.

Configuration

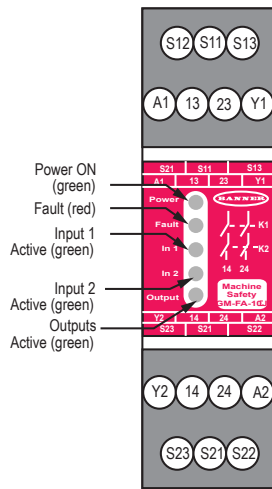


Figure 1. GM-FA-10J Features and Terminal Locations

The Safety Module may be configured via DIP switches for two-channel (redundant switches on a single guard), or one-channel operation (individual switches on two guards). In two-channel **operation**, each channel (S11/S12/S13 and S21/S22/S23) must switch within 3-second simultaneity of the other when the guard closes. If not, the guard must be re-opened and closed until the timing requirement is met. When the guard opens, the two channels operate concurrently (both channels must switch, but without the timing requirement).

In one-channel **operation**, each channel operates individually, except to reset the device (in which case both guards must be closed). If only one switch is being monitored, the closed input of the unused channel must be jumpered (S11/S13 or S21/S23).

The reset function has two options, selected by DIP switch: Automatic reset or Monitored Manual reset. See [Figure 7](#) on page 8 for configuration information.

The reset input also can be used for an External Device Monitoring (EDM) circuit. The EDM circuit consists of a normally closed, force-guided contact from each device being controlled by the Safety Module, all wired in series with the Reset button (if used) and terminated at terminals Y1 and Y2. See [Figure 6](#) on page 8 for further information.

The output of the Safety Module consists of two redundant output switching channels, each of which is the series connection of two forced-guided relay contacts (K1 and K2 in [Figure 6](#) on page 8). Each of the switching outputs is rated for up to 250V ac at up to 6 amps.



WARNING: Hazard Point

It must not be possible for personnel to reach any hazard point through an opened guard (or any opening) before hazardous machine **motion** has completely stopped.

Please reference OSHA CFR 1910.217 and ANSI B11 standards for information on determining safety distances and safe opening sizes for your guarding devices.



WARNING: Risk Assessment

The level of safety circuit integrity can be greatly affected by the design and installation of the safety devices and the means of interfacing of those devices. A risk assessment must be performed to determine the appropriate level of safety circuit integrity to ensure the expected risk **reduction** is achieved and all relevant **regulations** and standards are complied with.

Safety Interlock Switch Requirements

The following general requirements and considerations apply to the installation of interlocked guards and gates for the purpose of safeguarding. In addition, the user must refer to the relevant regulations to ensure compliance with all necessary requirements.

Hazards guarded by the interlocked guard must be prevented from operating until the guard is closed; a stop command must be issued to the guarded machine if the guard opens while the hazard is present. Closing the guard must not, by itself, initiate hazardous motion; a separate procedure must be required to initiate the motion. The safety interlock switches must not be used as a mechanical or end-of-travel stop.

The guard must be located an adequate distance from the danger zone (so that the hazard has time to stop before the guard is opened sufficiently to provide access to the hazard), and it must open either laterally or away from the hazard, not into the safeguarded area. The guard also should not be able to close by itself and activate the interlocking circuitry. In addition, the installation must prevent personnel from reaching over, under, around, or through the guard to the hazard. Any openings in the guard must not allow access to the hazard (see OSHA 29CFR1910.217 Table O-10, ANSI B11.19, ISO 13857, ISO14120/EN953 or the appropriate standard). The guard must be strong enough to contain hazards within the guarded area, which may be ejected, dropped, or emitted by the machine.

The safety interlock switches, actuators, sensors, and magnets must be designed and installed so that they cannot be easily defeated. They must be mounted securely so that their physical position cannot shift, using reliable fasteners that require a tool to remove them. Mounting slots in the housings are for initial adjustment only; final mounting holes must be used for permanent location.



WARNING: Perimeter Guarding **Applications**

If the application may result in a pass-through hazard (for example, perimeter guarding), either the safeguarding device or the guarded machine's MSCs/MPCEs must cause a Latched response following a Stop command (for example, interruption of the sensing field of a light curtain, or opening of an interlocked gate/guard). The reset of this Latched condition may only be achieved by actuating a reset switch that is separate from the normal means of machine cycle initiation. The switch must be positioned as described in this document.

Lockout/Tagout procedures per ANSI Z244.1 may be required, or additional safeguarding, as described by ANSI B11 safety requirements or other appropriate standards, must be used if a passthrough hazard cannot be eliminated or reduced to an acceptable level of risk. Failure to observe this warning may result in serious bodily injury or death.

Coded **Magnetic** Safety Switches

Similar to positive-opening safety switches, coded magnetic switches used with the Safety Module must provide one normally closed contact and one normally open contact (typically a four-wire switch). The sensor and its magnet must be mounted a minimum distance of 15 mm (0.6 inches) from any magnetized or ferrous materials for proper operation. If either the sensor or magnet is mounted on a material that can be magnetized (a ferrous metal, such as iron), the switching distance will be affected. Although the sensor and magnet are coded to minimize the possibility of false actuation, they should not be used within known fields of high-level electromagnetic radiation.

Depending on the model of sensor and magnet used, the installation must be designed to provide the correct direction of approach. The speed of approach must be fast enough to meet the simultaneity-monitoring period of 1.0 second, approximately equal to or greater than 0.1 m (4 inches) per second. If the simultaneity requirement is not met, the Safety Module can not be reset and will not close its safety output contacts.

Positive-Opening Interlocking Switches

Safety interlock switches used with the Safety Module must satisfy several requirements. Each switch must provide electrically isolated contacts: at minimum, one normally closed (N.C.) contact or normally conducting source and one normally open (N.O.) contact or normally OFF source to interface with the Module.

The contacts must be of "positive-opening" design, with one or more normally closed contacts rated for safety. Positive-opening operation causes the switch to be forced open, without the use of springs, when the switch actuator is disengaged or moved from its home position (see the Banner Catalog for examples). In addition, the switches must be mounted in a "positive mode," to move/disengage the actuator from its home position and open the normally closed contact, when the guard opens.

Switch Wiring for Typical **Applications**

Requirements vary widely for the level of control reliability or safety category (per EN ISO 13849) in the application of interlocked guards. Although Banner Engineering always recommends the highest level of safety in any application, it is the responsibility of the user to safely install, operate, and maintain each safety system and comply with all relevant laws and regulations. The applications shown in [Figure 2](#) on page 6 through [Figure 4](#) on page 7 meet or exceed the requirements for control reliability and Safety Category 3 or 4, per EN ISO 13849.

Mechanical **Installation**

The Safety Module must be installed inside an enclosure.

It is not designed for exposed wiring. It is the user's responsibility to house the Safety Module in an enclosure with NEMA 3 (IEC IP54) rating, or better. The Safety Module mounts directly to standard 35 mm DIN rail.

Heat Dissipation Considerations: For reliable operation, ensure that the operating specifications are not exceeded. The enclosure must provide adequate heat dissipation, so that the air closely surrounding the Module does not exceed the maximum operating temperature stated in the Specifications. Methods to reduce heat build-up include venting, forced airflow (for example, exhaust fans), adequate enclosure exterior surface area, and spacing between modules and other sources of heat.

Electrical **Installation**

Each Safety Module is powered by 24 V ac/dc (at less than 150 mA). The Safety Module, in turn, supplies power to each switch.

It is not possible to give exact wiring instructions for a Safety Module that interfaces to a multitude of machine control configurations. The following guidelines are general in nature.

The Safety Module has no delay function. Its output relay contacts open within 35 milliseconds after a safety input opens. This classifies the Safety Module as a functional stop "Category 0" control, as defined by ANSI NFPA 79 and IEC/EN 60204-1.



WARNING: Shock Hazard and Hazardous Energy

Always disconnect power from the safety system (for example, device, module, interfacing, etc.) and the machine being controlled before making any **connections** or replacing any component.

Electrical installation and wiring must be made by Qualified Personnel[¶] and must comply with the relevant electrical standards and wiring codes, such as the NEC (National Electrical Code), ANSI NFPA79, or IEC 60204-1, and all applicable local standards and codes.

Lockout/tagout procedures may be required. Refer to OSHA 29CFR1910.147, ANSI Z244-1, ISO 14118, or the appropriate standard for controlling hazardous energy.

Connecting Power to the Safety Module

The Safety Module requires a 24 V ac/dc supply voltage (see Specifications). Use extreme caution when installing ac power. Use a minimum of 16 to 18 AWG wire for power and output connections. Use a minimum of 20 AWG wire for all other terminal connections. A hand-operated supply disconnect and over-current protection (e.g., a circuit breaker) must be provided per ANSI NFPA79 and IEC/EN60204-1.

Monitoring Series-Connected Safety Switches

When monitoring two individually mounted safety switches (as shown in [Figure 2](#) on page 6 through [Figure 4](#) on page 7), a faulty switch will be detected if it fails to switch as the guard opens. In this case, the Gate Monitor Module will de-energize its output relays and disable its reset function until the input requirements are met (i.e., the faulty switch is replaced). However, when a series of interlocking safety switches is monitored by a single Safety Module, the failure of one switch in the system may be masked or not detected at all (refer to [Figure 5](#) on page 7 and [Figure 6](#) on page 8).

Series-connected interlock switch circuits do not meet EN ISO 13849 Safety Category 4 and may not meet Control Reliability requirements because of the potential for an inappropriate Gate Monitor reset or a potential loss of the safety stop signal. A multiple connection of this type should not be used in applications where loss of the safety stop signal or an inappropriate reset can lead potentially to serious injury or death. The following two scenarios assume two positive-opening safety switches on each guard:

1. **Masking of a failure.** If a guard is opened but a switch fails to open, the redundant safety switch will open and cause the Safety Module to de-energize its outputs. If the faulty guard is then closed, both Safety Module input channels also close, but because one channel did not open, the Safety Module will not reset. However, if the faulty switch is not replaced and a second “good” guard is cycled (opening and then closing both of the Module’s input channels), the Module considers the failure to be corrected. With the input requirements apparently satisfied, the Module allows a reset. This system is no longer redundant and, if the second switch fails, may result in an unsafe condition (i.e., the accumulation of faults results in the loss of the safety function).
2. **Non-detection of a failure.** If a good guard is opened, the Safety Module de-energizes its outputs (a normal response). But if a faulty guard is then opened and closed before the good guard is re-closed, the failure on the faulty guard is not detected. This system is no longer redundant and may result in a loss of safety if the second safety switch fails to switch when needed.

The systems in either scenario do not inherently comply with the safety standard requirements of detecting single faults and preventing the next cycle. In multiple-guard systems using series-connected safety switches, it is important to periodically check the functional integrity of each interlocked guard individually. Operators, maintenance personnel, and others associated with the operation of the machine must be trained to recognize such failures and be instructed to correct them immediately.

Open and close each guard separately while verifying that the Gate Monitor outputs operate correctly throughout the check procedure. Follow each gate closure with a manual reset, if needed. If a contact set fails, the Safety Module will not enable its reset function. If the Safety Module does not reset, a switch may have failed; that switch must be immediately replaced.

This check must be performed and all faults must be cleared, at a minimum, during periodic checkouts. If the application can not exclude these types of failures and such a failure could result in serious injury or death, then the series connection of safety switches must not be used.



WARNING: Multiple Switching Devices

Whenever two or more devices are connected to the same safety module (controller):

- Contacts of the corresponding pole of each switch must be connected together in series. *Never connect the contacts of multiple switches in parallel.* Such a parallel connection defeats the switch contact monitoring ability of the Module and creates an unsafe condition which may result in serious injury or death.
- Each device must be individually actuated (engaged), then released (or re-armed) and the safety module reset. This allows the module to check each switch and its wiring to detect faults.

This check must be performed during the prescribed checkouts. Failure to test each device individually in this manner may result in undetected faults and create an unsafe **condition** which may result in serious injury or death.

[¶] A person who, by possession of a recognized degree or certificate of professional training, or who, by extensive knowledge, training and experience, has successfully demonstrated the ability to solve problems relating to the subject matter and work.

Connecting to the Guarded Machine

The machine interface wiring diagram shows a generic connection of the Module's two redundant output circuits to machine primary control elements MPCE1 and MPCE2. A machine primary control element is an electrically powered device, external to the Module, which stops the guarded machinery by immediately removing electrical power to the machine and (when necessary) by applying braking to dangerous motion. The stop is accomplished by removing power to the actuator coil of either MPCE.

To satisfy the Safety Category 4 requirements of EN ISO 13849, each MPCE must offer a normally closed, forced-guided monitor contact. One normally closed monitor contact from each MPCE is wired in series to the Y1-Y2 feedback/reset input (see [Figure 7](#) on page 8). In operation, if one of the switching contacts of either MPCE fails in the shorted condition, the associated monitor contact will remain open, preventing the reset of the Module.

External Device Monitoring

To satisfy the requirements of Control Reliability (OSHA and ANSI) and Category 3 and 4 of EN ISO 13849-1, the machine primary control elements (MPCEs) must each offer a normally closed, forced-guided (mechanically linked) monitor contact. Connect one normally closed monitor contact from each master stop control element in series to Y1 and Y2 (see wiring diagrams).

In operation, if one of the switching contacts of either MPCE fails in the energized condition, the associated monitor contact will remain open. Therefore, it will not be possible to reset the Safety Module. If no MPCE-monitor contacts are monitored, a jumper must be installed between terminals Y1 and Y2 (dotted line), as shown in the hookup drawings. It is the user's responsibility to ensure that any single failure will not result in a hazardous **condition** and will prevent a successive machine cycle.

Connecting Safety Switches

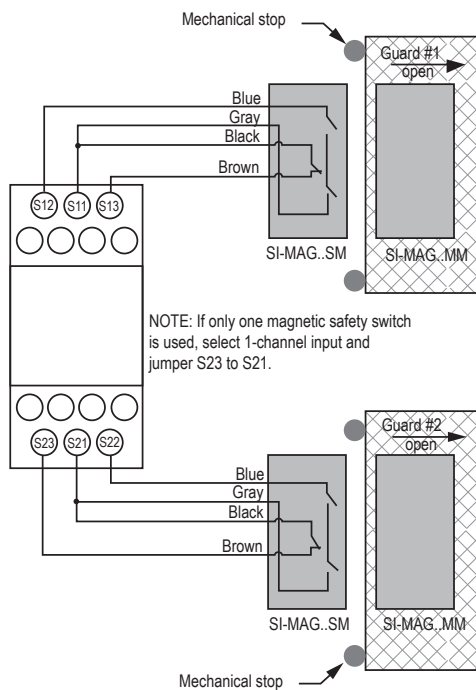


Figure 2. Wiring to two 4-wire coded magnetic safety switches. Configured for one-channel monitoring of either one or two guards (jumper S11/S13 or S21/S23 for one-channel), this application is considered to meet or exceed requirements for Control Reliability and Safety Categories 3 and 4 per EN ISO 13849-1.

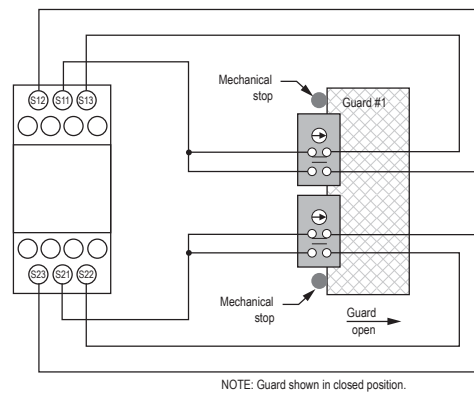


Figure 3. Wiring to two positive-opening safety interlock switches. Configured for two-channel monitoring of one guard, this application is considered to meet or exceed requirements for Control Reliability and Safety Categories 3 and 4 per EN ISO 13849-1.

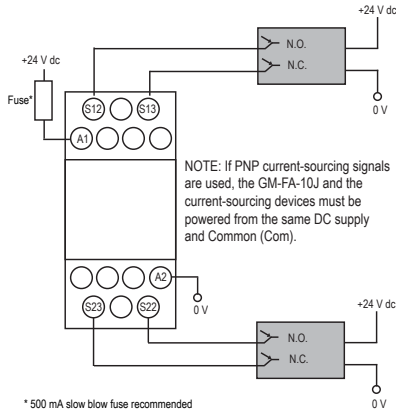


Figure 4. Wiring to two complementary current-sourcing PNP devices. Configured for either one-channel or two-channel monitoring, the level of safety (Control Reliability or Safety Categories) is dependent on the devices connected to the GM-FA-10J.

One-Channel Monitoring

Configured for one-channel monitoring of multiple guards with single switches at each guard (see Warning). Up to 10 Banner magnetic switches may be connected to each channel in this series/parallel method.



WARNING: Not a Safety Category 4 **Application.** When monitoring multiple guards with a series connection of multiple safety interlock switches, a single failure may be masked or not detected at all.

When such a configuration is used, procedures must be performed regularly to verify proper operation of each switch. See "Monitoring Series- Connected Safety Switches" for more information.

(If other than Banner magnetic switches are used, a total resistance of 270 Ohms between S11/S13, S11/S12, S21/S22 and S21/S23 must not be exceeded.)

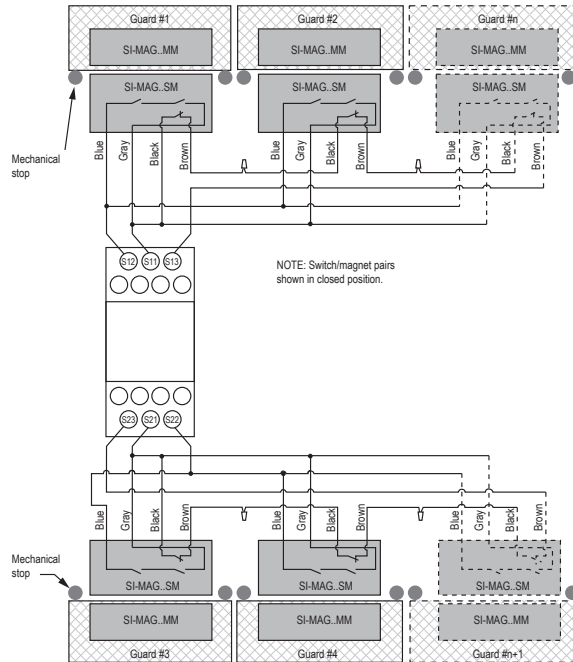


Figure 5. Alternate wiring for one-channel monitoring of multiple guards

Two-Channel Monitoring

Configured for two-channel monitoring of multiple guards with two safety switches mounted individually on each guard (see Warning).

The number of mechanical switches is limited by the max. resistance of 270 ohm between S11/S13, S11/S12, S21/S22 and S21/S23. The total resistance is calculated by adding the resistance of all guard switch contacts and the resistance of the cables that connect the switches and the switches to the module.



WARNING: Not a Safety Category 4 **Application.** When monitoring multiple guards with a series connection of multiple safety interlock switches, a single failure may be masked or not detected at all.

When such a configuration is used, procedures must be performed regularly to verify proper operation of each switch. See "Monitoring Series- Connected Safety Switches" for more information.

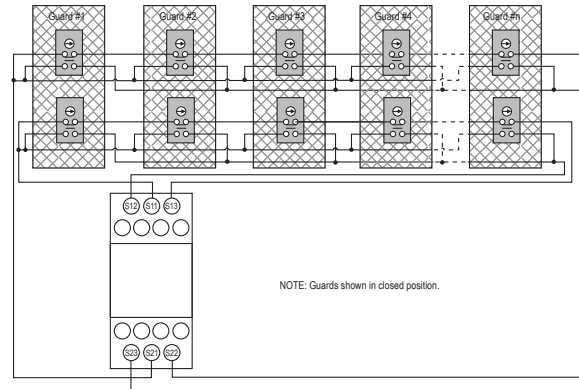


Figure 6. Alternate wiring for two-channel monitoring of multiple guards

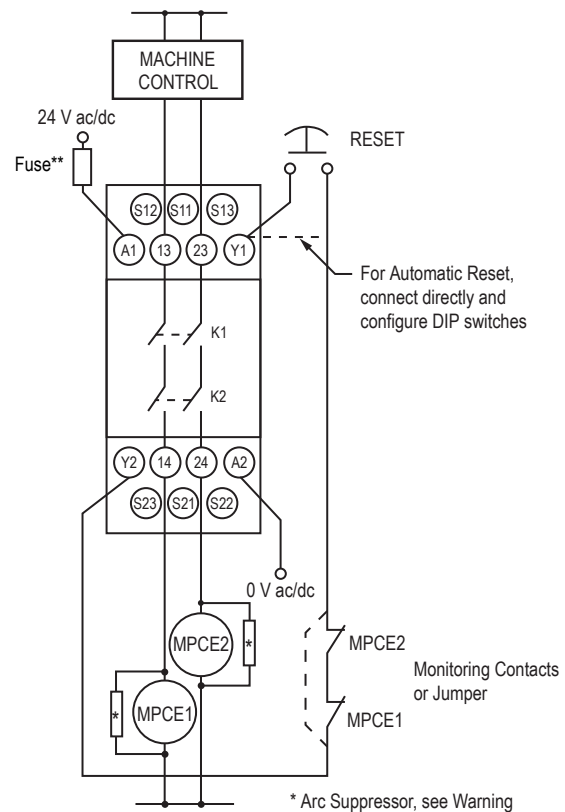


WARNING: Interfacing MPCEs. NEVER wire an intermediate device(s) (e.g., PLC, PES, PC), between the Safety Module outputs and the machine primary control element (MPCE) it switches, in such a manner that in the event of a failure there is the loss of the safety stop command, OR in such a manner that the safety function can be suspended, overridden, or derated, unless accomplished with the same or greater degree of safety. Whenever forced-guided, mechanically linked relays are added as intermediate switching devices, a normally closed forced-guided monitor contact from each relay must be added to the series feedback loop between Safety Module terminals Y1 and Y2.



WARNING: Wiring of Arc Suppressors

If arc suppressors are used, they MUST be installed as shown across the actuator coil of the stop control elements (MSCs or MPCEs). NEVER install suppressors directly across the output contacts of the Safety Device or Module. It is possible for suppressors to fail as a short circuit. If installed directly across the output contacts, a short-circuited suppressor creates an unsafe **condition** which may result in serious injury or death.



** 500 mA slow blow fuse recommended

Figure 7. Wiring to the guarded machine

Overvoltage Category II and III Installations (EN 50178 and IEC 60664-1)

The Safety Module is rated for Overvoltage Category III when voltages of 1 V to 150 V ac/dc are applied to the output relay contacts. It is rated for Overvoltage Category II when voltages of 151 V to 250 V ac/dc are applied to the output relay contacts and no additional precautions are taken to attenuate possible overvoltage situations in the supply voltage. The Module can be used in an Overvoltage Category III environment (with voltages of 151 V to 250 V ac/dc) if care is taken either to reduce the level of electrical disturbances seen by the Module to Overvoltage Category II levels by installing surge suppressor devices (for example, arc suppressors), or to install extra external insulation in order to isolate both the Safety Module and the user from the higher voltage levels of a Category III environment.

For Overvoltage Category III installations with applied voltages from 151 V to 250 V ac/dc applied to the output contact(s): the Safety Module may be used under the conditions of a higher overvoltage category where appropriate overvoltage reduction is provided.

Appropriate methods include:

- An overvoltage protective device
- A transformer with isolated windings
- A distribution system with multiple branch circuits (capable of diverting energy of surges)
- A capacitance capable of absorbing energy of surges
- A resistance or similar damping device capable of dissipating the energy of surges

When switching inductive ac loads, it is good practice to protect the Safety Module outputs by installing appropriately-sized arc suppressors. However, if arc suppressors are used, they must be installed across the load being switched (for example, across the coils of external safety relays), and never across the Safety Module's output contacts (see WARNING, Arc Suppressors).

Configuration



WARNING: Reset Routine Required

U.S. and international standards require that a reset routine be performed after clearing the cause of a stop condition (for example, arming an E-stop button, closing an interlocked guard, etc.). Allowing the machine to restart without **actuating** the normal start command/device can create an unsafe **condition** which may result in serious injury or death.



WARNING: Reset Switch Location

All reset switches must be accessible only from outside, and in full view of, the hazardous area. Reset switches must also be out of reach from within the safeguarded space, and must be protected against unauthorized or inadvertent **operation** (for example, through the use of rings or guards). If any areas are not visible from the reset switch(es), additional means of safeguarding must be provided. Failure to do so may result in serious bodily injury or death.

To remove a terminal block, insert a small flat-blade screwdriver into the slot at the center of the block as shown (may be covered by label). As typically mounted on a DIN rail, to remove the top block, rotate the screw driver downwards (towards the module) and pry to loosen. The terminal block will slide outwards (towards you) as it loosens. To remove the lower block, rotate the screw driver upwards (towards the module) and pry to loosen.

When reinserting the block, take care to slide the dovetail on the terminal block into the slot on the frame.

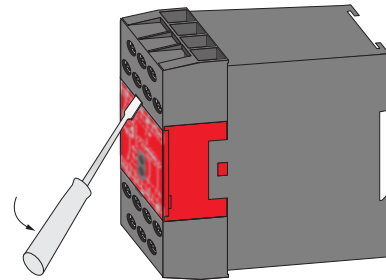


Figure 8. Removal of terminal blocks

Manual Reset and Reset Switch Connection

The reset switch must be capable of reliably switching 15 to 30V dc at 5 to 50 mA. As shown in [Figure 7](#) on page 8, the reset switch connects between terminals Y1 and Y2 of the Module. The reset switch must be located outside of – and not accessible from – the area of dangerous motion, and it must be positioned so the switch operator can see all areas of dangerous motion during the reset procedure (see Warning).

To configure the Module for Manual Reset, set switches S1.2 and S2.2 in banks A and B to OFF. The reset switch may be any mechanical normally open switch, but should be a momentary switch or a two-position keyed switch. To reset the Module, both guards must be closed, at which time the output LED will flash (signaling that the reset switch must be cycled). This action is a monitored manual reset (open-closed-open), where the “closed” phase is approximately 0.25 to 2 seconds long.

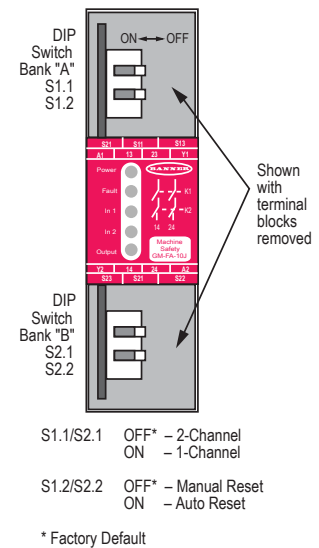


Figure 9. DIP switch configuration settings for reset mode and 1- or 2-channel operation

Automatic Reset Mode

To configure the Module for Automatic Reset, set switches S1.2 and S2.2 in Banks A and B to ON. If no MPCE contacts are monitored, install a jumper between terminals Y1 and Y2 (see [Figure 7](#) on page 8). The Safety Module will reset (and its outputs will energize) as soon as the guards return to their closed position.

Automatic Reset is useful for some automated processes. However, if Automatic Reset is used, an alternate means must be provided to prevent resumption of hazardous machine motion until an alternate reset procedure is performed. The alternate means must include a Reset switch, located outside the area of dangerous motion, and positioned so that the switch operator can see all areas of dangerous motion during the reset procedure.

1-Channel or 2-Channel Input

The Safety Module may be configured for 1-channel or 2-channel operation by setting DIP switches S1.1 and S2.1 in Banks A and B. In 1-channel operation (S1.1 and S2.1 – ON), the input channels function independently. The two guards can be monitored individually, but both channels must be in the closed position for the Safety Module to be reset.

In 2-channel operation (S1.1 and S2.1 – OFF) the input channels must function together. Both channels must switch within a 3-second simultaneity of the other when the guard closes. If not, the guard must be re-opened and closed until the timing requirement is met. When the guard opens, the channels function concurrently (both must open, but without the timing requirement).

In either configuration, the “closed” inputs of each channel must be closed before the Safety Module can be reset (continuity S11 to S13 and S21 to S23). If in 1-channel mode and monitoring only one switch, a jumper must be installed at the unused input (e.g., S21 to S23; see [Figure 2](#) on page 6).

Troubleshooting and Maintenance

Initial Checkout Procedure



CAUTION: Disconnect Power Prior to Checkout

Before performing the **initial** checkout procedure, make certain all power is disconnected from the machine to be controlled.

Dangerous voltages may be present along the Safety Module wiring barriers whenever power to the machine control elements is On. Exercise extreme **caution** whenever machine control power is or may be present. Always disconnect power to the machine control elements before opening the enclosure housing of the Safety Module.

**WARNING: Multiple Safety Devices**

When two or more safety devices are used, each device must be individually actuated, causing a Stop or open-contact **condition**, then reset/rearmed and the Safety Module reset (if using manual reset mode). This allows the monitoring circuits to check each device and its wiring to detect faults. Failure to test each device individually in this manner may result in undetected faults and create an unsafe **condition** which may result in serious injury or death.

1. Remove power from the machine primary control elements (MPCEs).
2. Close all monitored guards. If the Module is wired to 1-channel input, the second input (S21/S23 or S11/S13) must be jumpered if unused.
3. Apply input power (only) to the Gate Monitor Module at terminals A1 and A2 (see [Figure 7](#) on page 8). The following LEDs should come ON: Power, Input 1, Input 2
If the Power LED comes ON, but either or both Input LEDs are not ON, disconnect input power and check the wiring of the connected switch(es) and/or the jumper. Check if the jumper is installed correctly on the unused input. Return to step 2 after the cause of the problem has been corrected.
4. Step 4 varies, depending on how the module is configured.

Option	Description
If the Module is set to 1-channel operation	After the Power, Input 1, and Input 2 LEDs all are ON, open and close all connected guards one at a time. When each individual guard opens, the corresponding Input LED must turn OFF, and when the guard closes its LED must come ON again.
If the Module is set to 2-channel operation	After the Power, Input 1, and Input 2 LEDs all are ON, open the guard; both switches must open within 3 seconds, and both Input LEDs must turn OFF. If the red Fault LED comes ON, simultaneity between the switches or within one switch (between its NO and NC contacts) was not met. Check all wiring and the switches.
If the Module is set to Auto Reset	(Y1/Y2 closed and DIP switches set to Auto Reset), the output LED will come ON as soon as both Input LEDs are ON (output contacts 13/14 and 23/24 close).
If the Module is set to Manual Monitored Reset	The Output LED should come ON only if Input 1 and 2 LEDs are ON and the Reset button connected to Y1 and Y2 went from open to closed and back to open position.

5. Repeat step 4 individually for each guard that is being monitored.
6. Close the guard. Apply power to the machine control elements and perform the [Periodic Checks](#) on page 11.
NOTE: Make sure that both Input 1 and 2 LEDs are ON only when ALL connected guards are closed. If the guards are closed and the Input LEDs are OFF, the guard switches may be wired incorrectly, which could reset the Module inappropriately (safety output contacts close as soon as one of the connected guards opens).

Do not continue operation until all checks are completed and all problems are corrected. See [Do Not Use Machine Until System is Working Properly](#) warning, and [Repairs](#) on page 12 and [Troubleshooting](#) on page 12 for further information.

Periodic Checks

**WARNING: Do Not Use Machine Until System Is Working Properly**

If all of these checks cannot be **verified**, do not **attempt** to use the safety system that includes the Banner device and the guarded machine until the defect or problem has been corrected. **Attempts** to use the guarded machine under such **conditions** may result in serious bodily injury or death.

At each shift change or machine setup, a Designated Person* should perform the following checks on all safety switches:

1. Verify the switch, sensor, actuator, or magnet are not broken or damaged.
2. Check for good alignment between the switch and actuator or sensor and magnet.
3. Confirm the switches are not being used as an end-of-travel stop.
4. Correct any loosened mounting hardware.
5. Verify it is not possible to reach any hazard point through an opened guard (or any opening) before hazardous machine motion stops completely.
6. Open and close each guard separately while verifying that the Gate Monitor outputs operate correctly throughout the check procedure. Follow each gate closure with a manual reset, if needed. If a contact set fails, the Safety Module will not enable its reset function. If the Safety Module does not reset, a switch may have failed; that switch must be immediately replaced.
7. In addition, a Qualified Person* should perform the following on a periodic schedule (determined by the user, based upon the severity of the environment and the frequency of switch actuations):
 - a) Inspect the electrical wiring for continuity and damage.
 - b) Confirm that the wiring conforms to the instructions given in this installation manual.

Do not continue operation until all checks are completed and all problems are corrected. See [Repairs](#) on page 12 and [Troubleshooting](#) on page 12 for further information.

* A Designated Person is identified in writing by the employer as being appropriately trained to perform a specified checkout procedure. A Qualified Person possesses a recognized degree or certificate or has extensive knowledge, training, and experience to be able to solve problems relating to safety switch installation.

Repairs

Contact Banner Engineering for troubleshooting of this device. Do not **attempt** any repairs to this Banner device; it contains no **field-replaceable** parts or components. If the device, device part, or device component is determined to be defective by a Banner Applications Engineer, they will advise you of Banner's RMA (Return Merchandise Authorization) procedure.



Important: If instructed to return the device, pack it with care. Damage that occurs in return shipping is not covered by warranty.



CAUTION: Abuse of Module **After** Failure

If an internal fault has occurred and the Module will not reset, do not tap, strike, or otherwise **attempt** to correct the fault by a physical impact to the housing. An internal relay may have failed in such a manner that its replacement is required.

If the Module is not immediately replaced or repaired, **multiple** simultaneous failures may accumulate such that the safety **function** can not be guaranteed.

Troubleshooting

Model GM-FA-10J Gate Monitoring Safety Module provides five LED indicators.

LED	Condition	Meaning
Power (green)	ON	Power is connected to terminals A1-A2.
	OFF	No power or low power to terminals A1-A2, or internal power supply failure.
Fault (red)	ON	External fault or configuration fault. The corresponding function LED will flash to indicate the area where the fault has been detected. See Clearing Faults on page 12 for probable cause.
	Flashing	Internal Fault. See Repairs on page 12.
	Flashing (along with the Power LED flashing)	DIP Switch configuration fault. Check that switch positions are the same for both Banks A and B.
Input 1 (green)	ON	Guard 1 is closed and the inputs of Channel 1 are satisfied.
	OFF	Guard 1 is open or the inputs of Channel 1 are not satisfied.
	Flashing (along with the Fault LED ON)	See Clearing Faults on page 12 for probable cause.
Input 2 (green)	ON	Guard 2 is closed and the inputs of Channel 2 are satisfied.
	OFF	Guard 2 is open or the inputs of Channel 2 are not satisfied.
	Flashing (along with the Fault LED ON)	See Clearing Faults on page 12 for probable cause.
Output (green)	ON	Both internal relays K1 and K2 are energized (13/14 and 23/24 are closed).
	OFF	Both internal relays K1 and K2 are de-energized (13/14 and 23/24 are opened).
	Flashing	Reset requested. Cycle the Reset input (button) (open, closed, open) to enter RUN mode.
	Flashing (along with the Fault LED ON)	See Clearing Faults on page 12 for probable cause.

Clearing Faults

To clear a fault condition, first correct the problem and then cycle the input channels to the module (open and close the guards). When the Fault LED lights, the corresponding Function LED will flash to indicate the problem. If the Fault LED is flashing, refer to [Repairs](#) on page 12.

Input 1: S12/S13

Input 2: S22/S23

LEDs					Fault, Probably Cause, and Procedures
Power	Fault	Input 1	Input 2	Output	
On	On	Flashing	On or Off	Off	INPUT CHANNEL 1 FAULT (S11/S12/S13) a. S13 Open (guard closed) b. S12 Open (guard open) c. S11 Open (guard is open or closed) d. Short between S11 and S12
On	On	On or Off	Flashing	Off	INPUT CHANNEL 2 FAULT (S21/S22/S23) a. S23 Open (guard closed) b. S22 Open (guard open) c. S21 Open (guard is open or closed) d. Short between S21 and S22
On	On	Flashing	Flashing	Off	SHORT BETWEEN INPUT CHANNELS a. Short between S11 and S21
On	On	On or Off	On or Off	Off	SIMULTANEITY FAULT a. 2-channel simultaneity > 3 seconds (configured for 2-channel operation) b. Channel simultaneity > 1 second (NO/NC did not switch within 1 second) See Configuration on page 3 for description of complementary switching and 2-channel operation.
Flashing	Flashing	Off	Off	Off	DIP-SWITCH ERROR a. DIP-switch settings are incorrect; Bank A does not match Bank B See Configuration on page 9 for DIP-switch configuration.
On	On	On	On	Flashing	OPEN RESET FAULT a. Y1/Y2 open when configured for Auto Reset See Configuration on page 9 for Manual/Auto Reset information.
On	Flashing	Off	Off	Off	INTERNAL FAULT (See Repairs on page 12) a. Incorrect check sum b. Internal relay failure (e.g., welded contact due to inductive load arcing.) c. Low input power d. Other internal fault

Specifications

Supply Voltage and Current

24 V dc $\pm 15\%$ at 150 mA (SELV-rated supply according to EN IEC 60950, NEC Class 2)
 24 V ac $\pm 15\%$ at 150 mA, 50-60 Hz $\pm 5\%$ (NEC Class 2-rated transformer)
 Power consumption: approx. 3 VA / 3 W
 To comply with UL and CSA standards, the isolated secondary power supply circuit in the installation must incorporate a method to limit the overvoltage to 0.8 kV. The use of a 500 mA, slow blow fuse in series with the +24 V ac/dc is highly recommended. The GM-FA-10J does not contain an internal fuse.

Supply Protection Circuitry

Protected against transient voltages and reverse polarity

Overvoltage Category

Output relay contact voltage of 1 V to 150 V ac/dc: Category III
 Output relay contact voltage of 151 V to 250 V ac/dc: Category II (Category III, if appropriate overvoltage reduction is provided, as described on [Overvoltage Cat II and III](#))

Pollution Degree

2

Status Indicators

1 red LED: Fault (see [Troubleshooting](#) on page 12)
 4 green LEDs: Power – power is supplied to Safety Module; Channel 1 – inputs satisfied (guard closed); Channel 2 – inputs satisfied (guard closed); Output – K1 and K2 energized, safety outputs closed

Construction

Polycarbonate housing. Rated IEC IP20

Mounting

Mounts to standard 35 mm DIN rail track. Safety Module must be installed inside an enclosure rated NEMA 3 (IEC IP54), or better.

Mechanical life

$\geq 50,000,000$ operations

Output Response Time

35 ms max.

Each normally open output channel is a series connection of contacts from two forced-guided (mechanically linked) relays, K1-K2.

Output Configuration

Contacts: AgNi, 5 µm gold-plated
 Low Current Rating: The 5 µm gold-plated contacts allow the switching of low current/low voltage. In these low-power applications, multiple contacts can also be switched in series (e.g., "dry switching").
 To preserve the gold plating on the contacts, do not exceed the following max. values at any time:
 Min. voltage: 1 V ac/dc; Max. voltage: 60 V
 Min. current: 5 mA ac/dc; Max. current: 300 mA
 Min. power: 5 mW (5 mVA); Max. power: 7 W (7 VA)

High Current Rating

If higher loads must be switched through one or more of the contacts, the minimum and maximum values of the contact(s) changes to:
 UL Listed: Min voltage: 15 V ac/dc; Min current: 30 mA ac/dc; Min power: 0.45 W (0.45 VA); Max: 250 V ac / 24 V dc, 6 A resistive - B300, R300 per UL508
 CE: Min voltage: 15 V ac/dc; Min current: 30 mA ac/dc; Min power: 0.45 W (0.45 VA); Max: 250 V ac / 24V dc, 6 A resistive - IEC 60947-5-1: AC15: 230 V ac, 3 A; DC-13: 24 V dc, 2 A

Vibration Resistance

10 to 55 Hz at 0.35 mm displacement per IEC 60068-2-6

Operating Conditions

0 °C to +50 °C (+32 °F to +122 °F)
 90% at +50 °C maximum relative humidity (non-condensing)

Safety Ratings

Category 4 PLe per EN ISO 13849-1; MTTFd = 100 years
 SIL 3 per IEC 61508; PFHd = 1.54 × 10⁻⁹
 SIL CL 3 per IEC 62061

Electrical life (switching cycles of the output contacts, **resistive** load)

- 150,000 cycles at 900 VA
- 1,000,000 cycles at 250 VA
- 2,000,000 cycles at 150 VA
- 5,000,000 cycles at 100 VA

NOTE: Transient suppression is recommended when switching inductive loads. Install suppressors across load. Never install suppressors across output contacts (see Warning in *Overvoltage Cat II and III*).

Simultaneity Monitoring

- 2-Channel operation: 3 seconds
- 1-Channel operation: infinite

Input Requirements

Each switch or sensor must have a normally closed contact and a normally open contact capable of switching 20 to 50 mA at 15 to 30 V dc.
 Reset switch: 20 mA at 12 V dc, hard contact only
 Max. external resistance between terminals S11/S12, S11/S13, S21/S22 and S21/S23: 270 ohms each.

Certifications



B10d Values

Voltage (V)	Current (A)	B10d
230 ac	2	100,000
230 ac	1	600,000
230 ac	0.5	1,300,000
24 dc	≤ 2 A	10,000,000

Dimensions

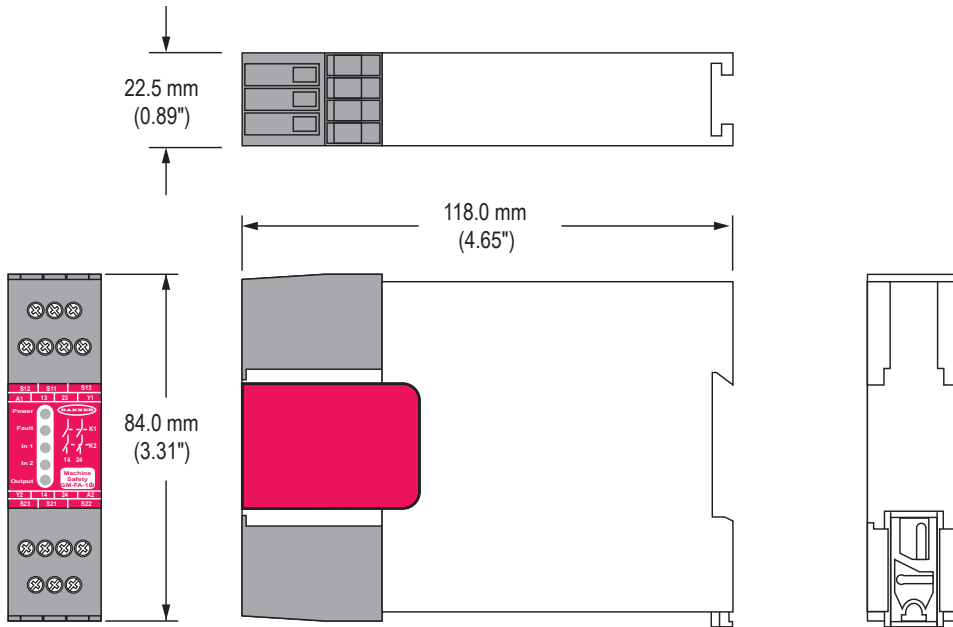


Figure 10. Dimensions

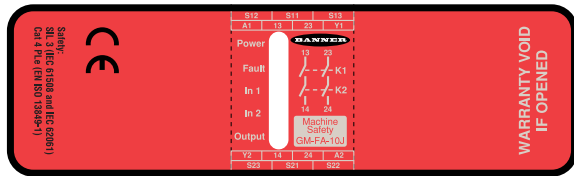

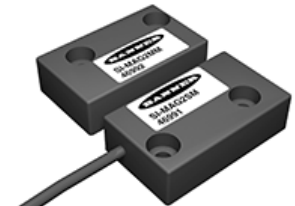



Figure 11. Label

Magnetic Switch Models

Magnet/Sensor Pair	Magnet Sensor ²	Coded Magnet	Sensor Cable	Switching Distance	
				Min. ON	Max. OFF
	SI-MAG1SM SI-MAG1SMCO ³	SI-MAG1MM SI-MAG1MM90 ⁴	3 m (10 ft)	3 mm (0.12 in)	14 mm (0.55 in)
		SI-MAG1MMHF		8 mm (0.31 in)	16 mm (0.63 in)
	SI-MAG2SM	SI-MAG2MM	3 m (10 ft)	4 mm (0.16 in)	8 mm (0.32 in)
	SI-MAG3SM	SI-MAG3MM		3 mm (0.12 in)	7 mm (0.28 in)

Magnetic Switch Specifications

Switching Elements

Three pole-stable reed switches

Repeat Switching Accuracy

±0.1 mm (±0.004 inches)

Construction

Epoxy-encapsulated circuit in polyamide housing

Environmental Rating

NEMA 4X, IEC IP67

Switching Capacity

30V dc max @ 0.25W (27 Ω fuse resistor in-line, each channel)

Operating Temperature

-5° to +70°C (+23° to +158°F)

Connections

Integral PVC-jacketed 3 m (10 ft) 4-wire cable.

Cable O.D. is 5 mm (0.2 inches).

Wires are 24 AWG (0.25 mm²).

Hardware

All mounting hardware is supplied by user. Use of permanent fasteners or locking hardware is recommended to prevent loosening or displacement of the actuator and switch body. Mounting holes in the magnet and sensor accept M4 (#6) hardware (see [Magnetic Switch Dimensions](#) on page 16).

Application Note

The sensor/magnet pair must be mounted a minimum distance of 15 mm (0.6 inches) from any magnetized or ferrous materials. Multiple SFA-IMB1 (used with SI-MAG1xx) and SFA-IMB2 (used with SI-MAG2xx) can be used as spacers.

² To order 9 m (30 ft) cable models, add "w/30" to the model number (e.g., SI-MAG1SM w/30).

³ Cable opposite see [Figure 13](#) on page 16)

⁴ 90° orientation (see [Direction of Approach for SI-MAG1xx Sensor/Magnet Pairs](#) on page 17)

Magnetic Switch Dimensions

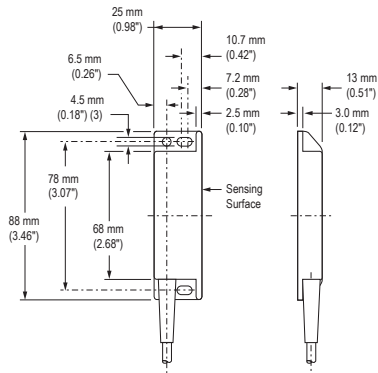


Figure 12. SI-MAG1SM Sensor

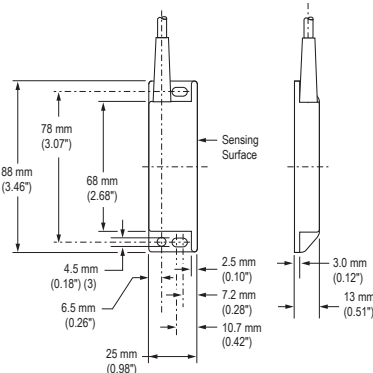


Figure 13. SI-MAG1SMCO Sensor

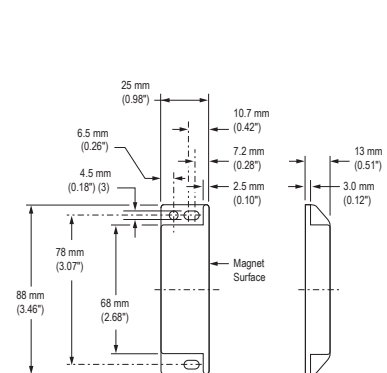


Figure 14. SI-MAG1MM/MM90/MMHF Magnet

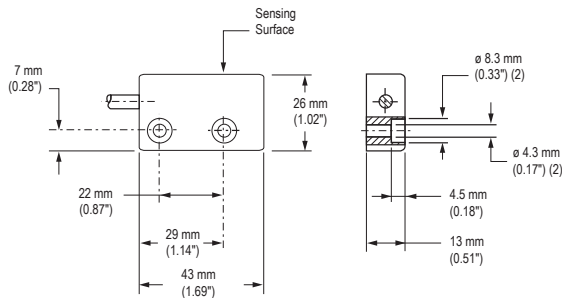


Figure 15. SI-MAG2SM Sensor

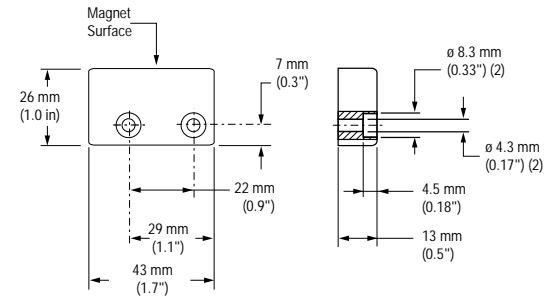


Figure 16. SI-MAG2MM Magnet

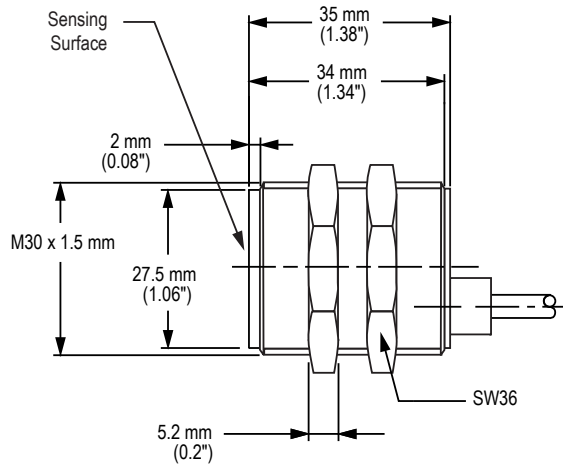


Figure 17. SI-MAG3SM Sensor

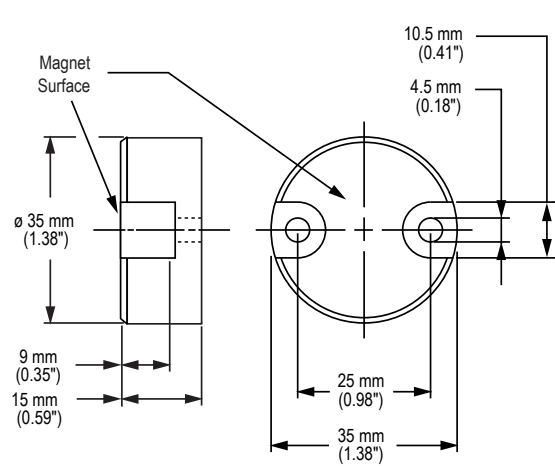
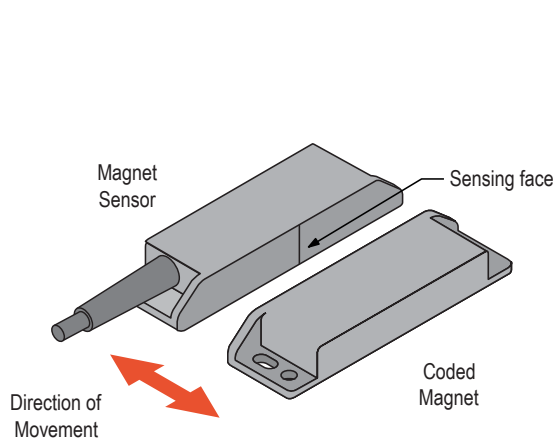


Figure 18. SI-MAG3MM Magnet

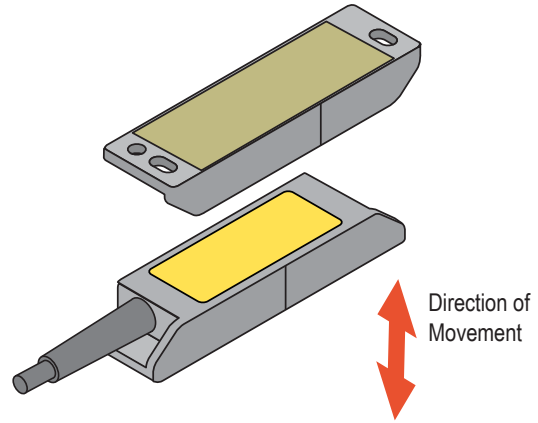
Direction of Approach Options for Sensor/Magnet Pairs

For all magnet style switches, approach speed must be greater than 0.1 m/s to allow for proper switching. (See [Coded Magnetic Safety Switches](#) on page 4.)

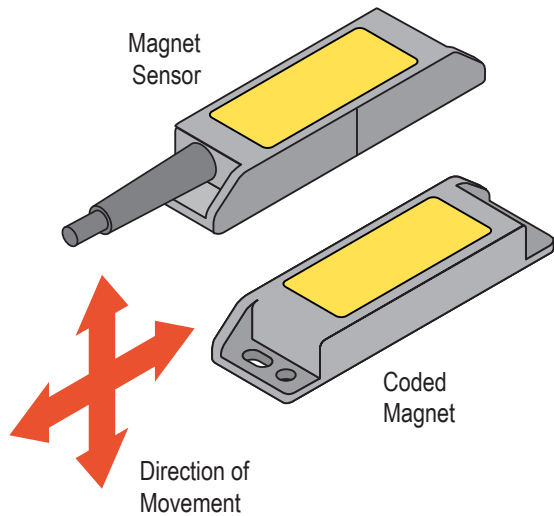
Direction of Approach for SI-MAG1xx Sensor/Magnet Pairs



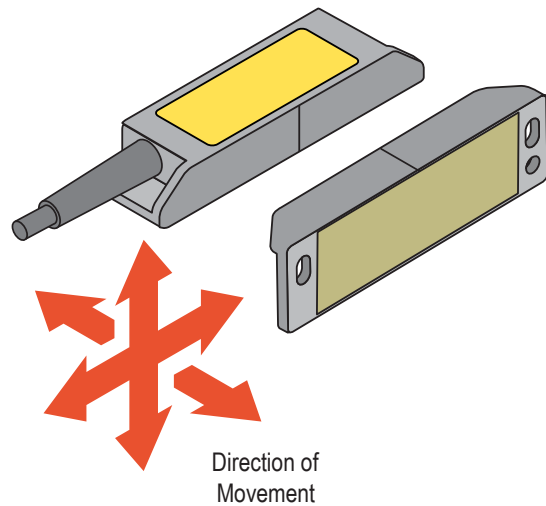
Normal Direction of Approach: movement is perpendicular to the plane of the sensing face



Incorrect Direction of Approach: Label to label approach of sensor and magnet is not possible

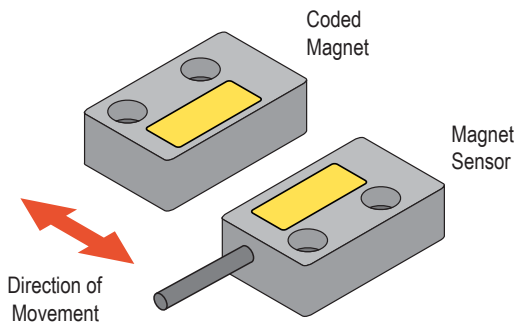


Alternate Direction of Approach: movement is parallel to the plane of the sensing face

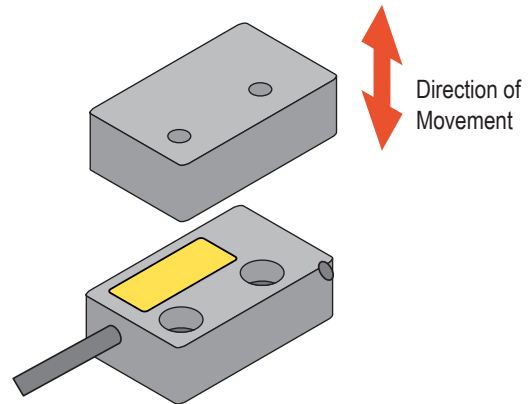


Incorrect Direction of Approach: 90° approach of sensor and magnet is only possible with the SI-MAG1MM90 magnet

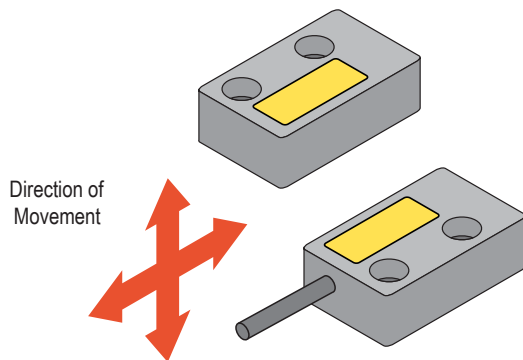
Direction of Approach for SI-MAG2xx Sensor/Magnet Pairs



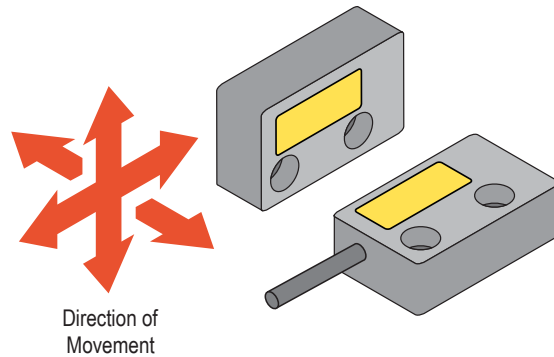
Normal Direction of Approach: movement is perpendicular to the plane of the sensing face



Incorrect Direction of Approach: Label to label approach of sensor and magnet is not possible

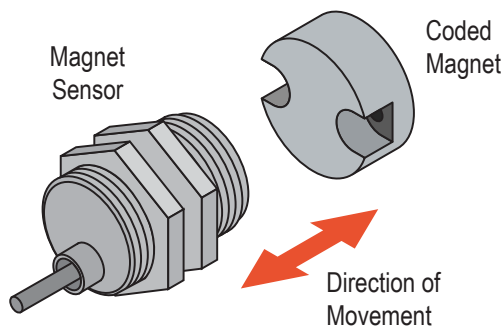


Alternate Direction of Approach: movement is parallel to the plane of the sensing face



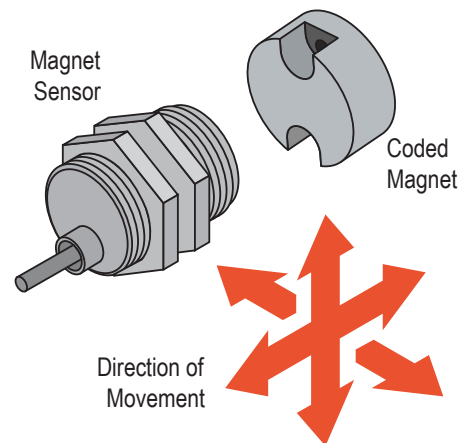
Incorrect Direction of Approach: 90° approach of sensor and magnet is not possible

Direction of Approach for SI-MAG3xx Sensor/Magnet Pairs

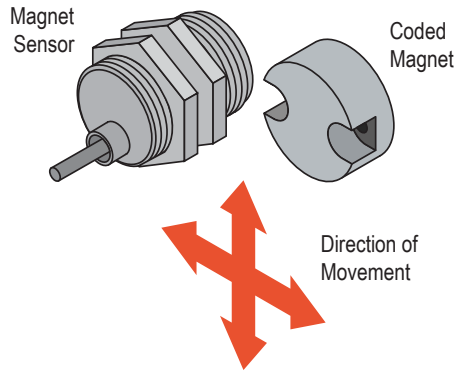


Normal Direction of Approach: movement is perpendicular to the plane of the sensing face.

Important! The magnet mounting holes must be oriented as shown, relative to the sensor cable position.



Incorrect Magnet Orientation



Alternate Direction of Approach: movement is parallel to the plane of the sensing face.

Important! The magnet mounting holes must be oriented as shown, relative to the sensor cable position.

EU Declaration of Conformity (DoC)

Banner Engineering Corp. herewith declares that the GM-FA-10J Gate Monitoring Safety Module is in conformity with the provisions of the Machinery Directive 2006/42/EC and all essential health and safety requirements have been met.

Representative in EU: Peter Mertens, Managing Director Banner Engineering Europe. Address: Park Lane, Culliganlaan 2F, 1831 Diegem, Belgium.

Banner Engineering Corp. Limited Warranty

Banner Engineering Corp. warrants its products to be free from defects in material and workmanship for one year following the date of shipment. Banner Engineering Corp. will repair or replace, free of charge, any product of its manufacture which, at the time it is returned to the factory, is found to have been defective during the warranty period. This warranty does not cover damage or liability for misuse, abuse, or the improper application or installation of the Banner product.

THIS LIMITED WARRANTY IS EXCLUSIVE AND IN LIEU OF ALL OTHER WARRANTIES WHETHER EXPRESS OR IMPLIED (INCLUDING, WITHOUT LIMITATION, ANY WARRANTY OF MERCHANTABILITY OR FITNESS FOR A PARTICULAR PURPOSE), AND WHETHER ARISING UNDER COURSE OF PERFORMANCE, COURSE OF DEALING OR TRADE USAGE.

This Warranty is exclusive and limited to repair or, at the discretion of Banner Engineering Corp., replacement. IN NO EVENT SHALL BANNER ENGINEERING CORP. BE LIABLE TO BUYER OR ANY OTHER PERSON OR ENTITY FOR ANY EXTRA COSTS, EXPENSES, LOSSES, LOSS OF PROFITS, OR ANY INCIDENTAL, CONSEQUENTIAL OR SPECIAL DAMAGES RESULTING FROM ANY PRODUCT DEFECT OR FROM THE USE OR INABILITY TO USE THE PRODUCT, WHETHER ARISING IN CONTRACT OR WARRANTY, STATUTE, TORT, STRICT LIABILITY, NEGLIGENCE, OR OTHERWISE.

Banner Engineering Corp. reserves the right to change, modify or improve the design of the product without assuming any obligations or liabilities relating to any product previously manufactured by Banner Engineering Corp. Any misuse, abuse, or improper application or installation of this product or use of the product for personal protection applications when the product is identified as not intended for such purposes will void the product warranty. Any modifications to this product without prior express approval by Banner Engineering Corp will void the product warranties. All specifications published in this document are subject to change. Banner reserves the right to modify product specifications or update documentation at any time. Specifications and product information in English supersede that which is provided in any other language. For the most recent version of any documentation, refer to:

www.bannerengineering.com.