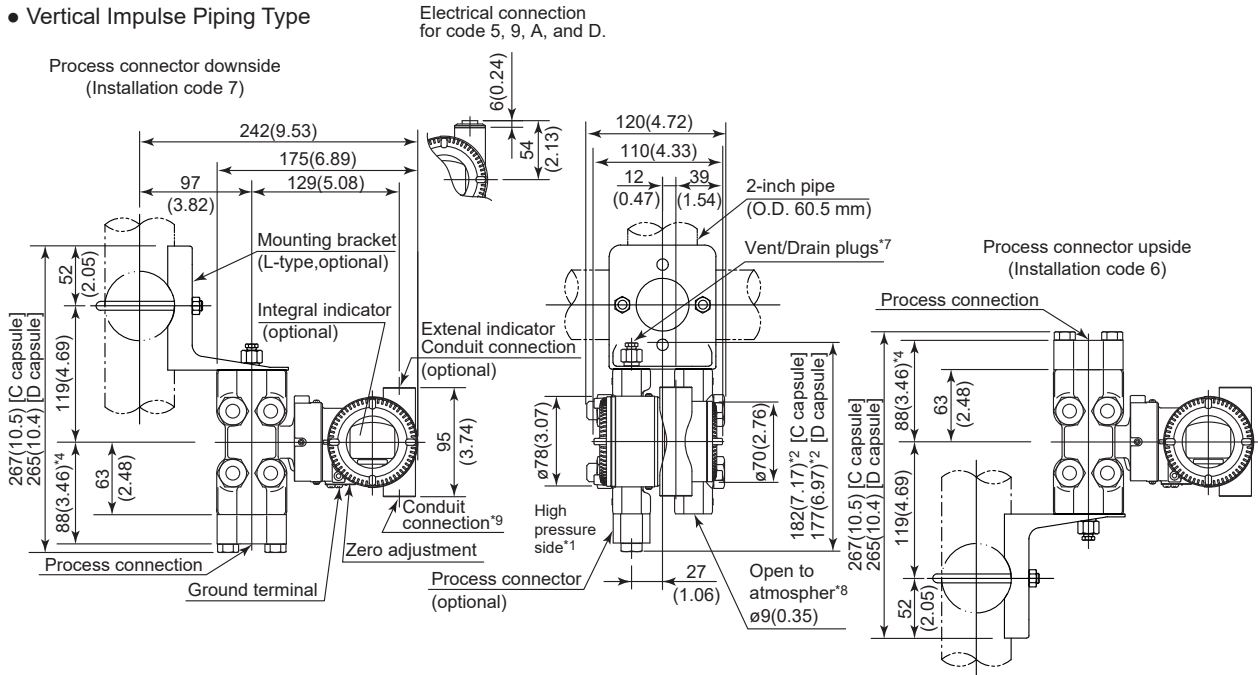
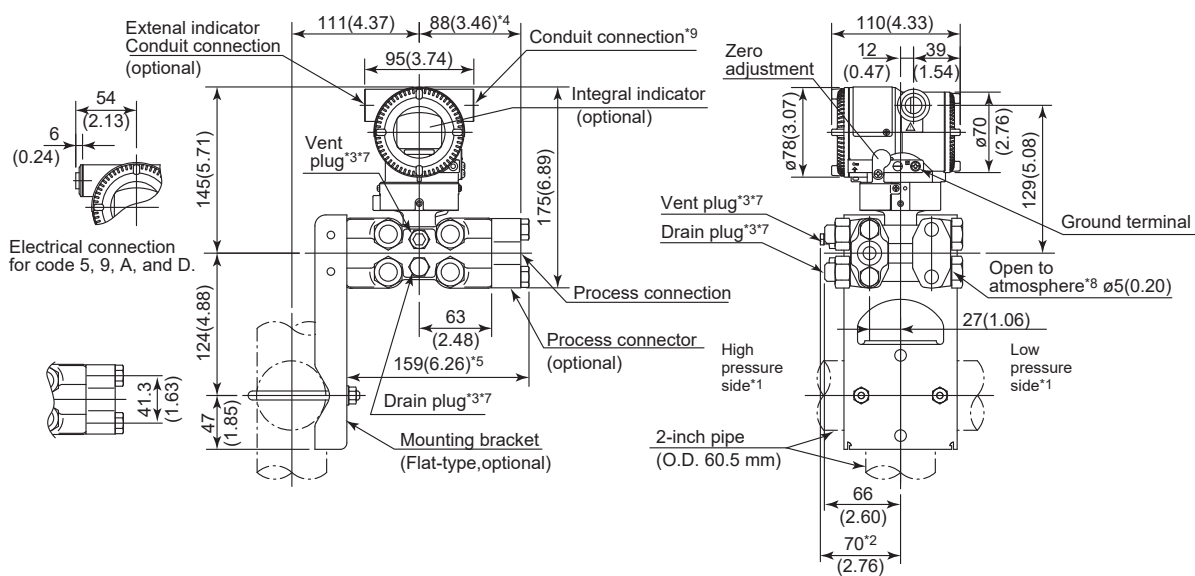


Unit: mm (approx. inch)

• Vertical Impulse Piping Type

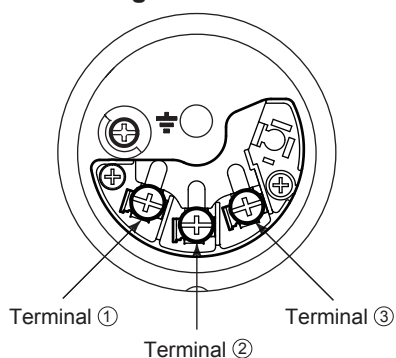


• Horizontal Impulse Piping Type (Installation code 9)



- \*1: When Installation code 2, 3, or 8 is selected, high and low pressure side on the above figure are reversed. (i.e. High pressure side is on the right side.)
- \*2: When Option code K1, K2, K5, K6, K41, K42, K45, or K46 is selected, add 15 mm(0.59 inch) to the value in the figure.
- \*3: Not available when Option code GS is specified.
- \*4: 87 mm(3.43 inch) for capsule code D.
- \*5: 157 mm(6.18 inch) for capsule code D.
- \*6: When electrical connection code 7 or C is selected, a blind plug is protruded up to 8 mm(0.31 inch) from the conduit connection.
- \*7: When option code UN is specified, Vent/Drain holes and plugs are not applicable.
- \*8: When option code BS is selected, The hole open to atmosphere on the cover flange of low pressure side is threaded and a bug screen is attached in it.
- \*9: When option code PP is selected, a blind plug is attached to the conduit connection on both sides.

- **Terminal Configuration**



- **Terminal Wiring for 4 to 20 mA output, FOUNDATION Fieldbus and PROFIBUS PA communication types**

SUPPLY	+	①	] Power supply and output terminals
	-	②	
CHECK	+	③	] External indicator (ammeter) terminals*1*2
	-	②	
			⏏ Ground terminal

\*1: When using an external indicator or check meter, the internal resistance must be 10  $\Omega$  or less.

\*2: Not available for FOUNDATION Fieldbus and PROFIBUS PA communication types.

- **Terminal Wiring for 1 to 5 V output**

SUPPLY	+	①	] Power supply terminals
	-	②	
VOUT	+	③	] 1 to 5 V DC with HART communication terminals
	-	②	
			⏏ Ground terminal

Three or four wire connection. For four wire connection, both supply and signal lines use SUPPLY - terminal.