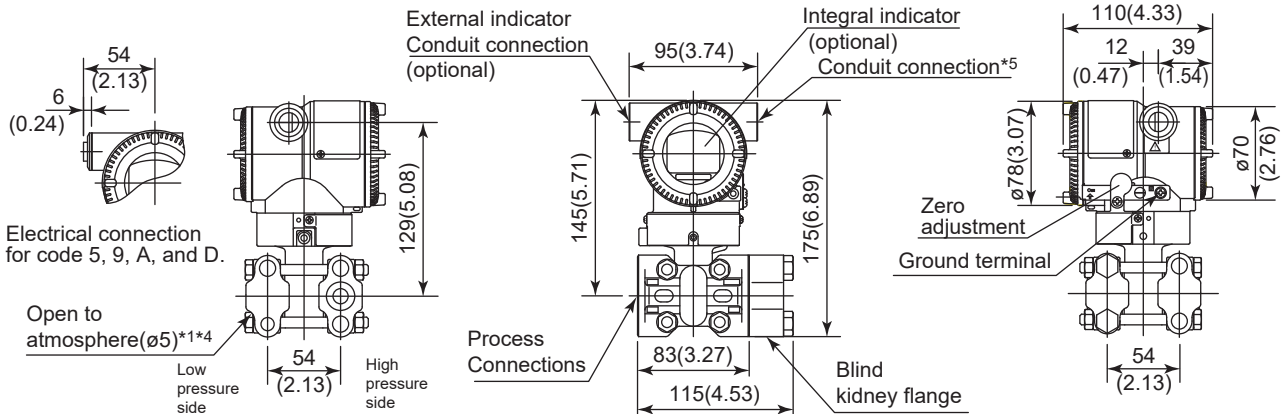
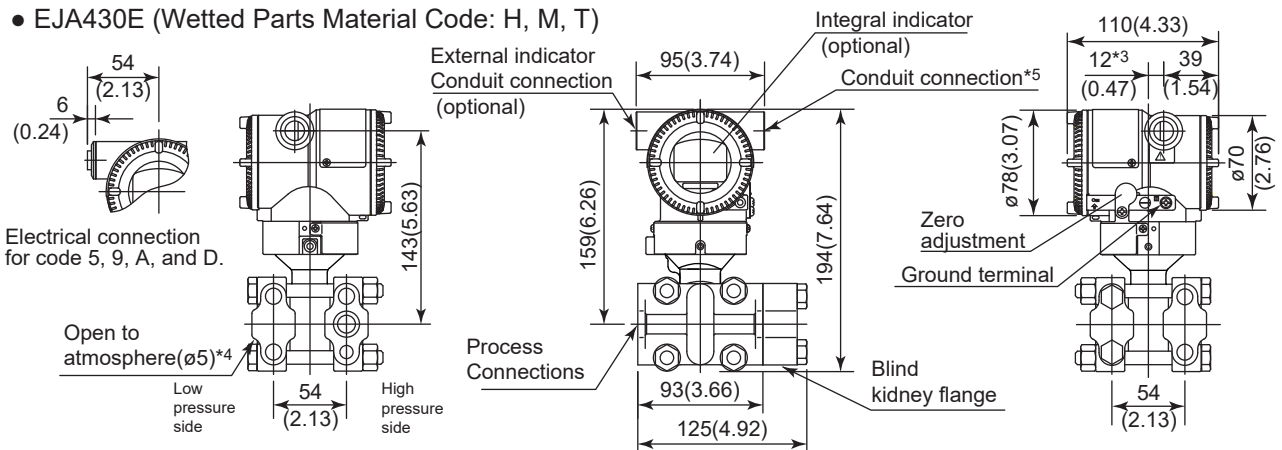


● EJA310E and EJA430E (Wetted Parts Material Code S)

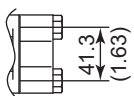
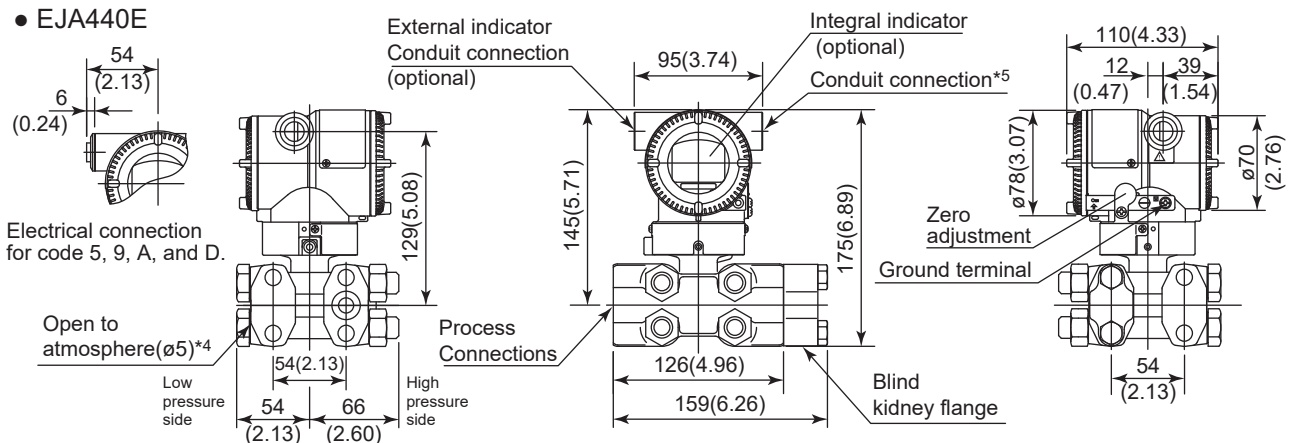
Unit: mm (approx. inch)



● EJA430E (Wetted Parts Material Code: H, M, T)



● EJA440E



\*1: Applicable for EJA430E.

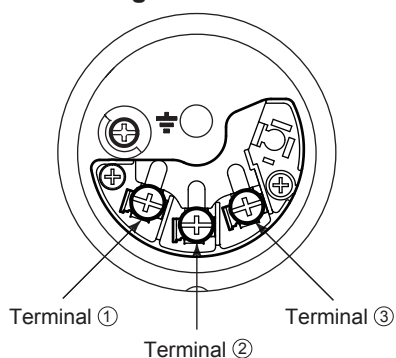
\*2: When electrical connection code 7 or C is selected, a blind plug is protruded up to 8 mm from the conduit connection.

\*3: 9 mm(0.35 inch) for measurement span code H.

\*4: When option code BS is selected, the hole open to atmosphere on the cover flange of low pressure side is threaded and a bug screen is attached in it.

\*5: When option code PP is selected, a blind plug is attached to the conduit connection on both sides.

- Terminal Configuration



- Terminal Wiring for 4 to 20 mA output, FOUNDATION Fieldbus and PROFIBUS PA communication types

SUPPLY	+	①	] Power supply and output terminals
	-	②	
CHECK	+	③	] External indicator (ammeter) terminals*1,2
	-	②	
			⏏ Ground terminal

\*1: When using an external indicator or check meter, the internal resistance must be 10  $\Omega$  or less.

\*2: Not available for FOUNDATION Fieldbus and PROFIBUS PA communication types.

- Terminal Wiring for 1 to 5 V output

SUPPLY	+	①	] Power supply terminals
	-	②	
VOUT	+	③	] 1 to 5 V DC with HART communication terminals
	-	②	
			⏏ Ground terminal

Three or four wire connection. For four wire connection, both supply and signal lines use SUPPLY - terminal.