

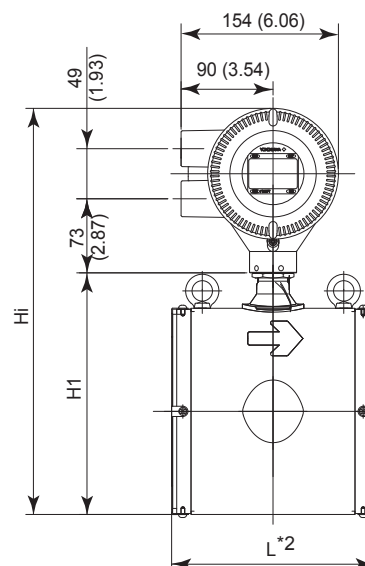
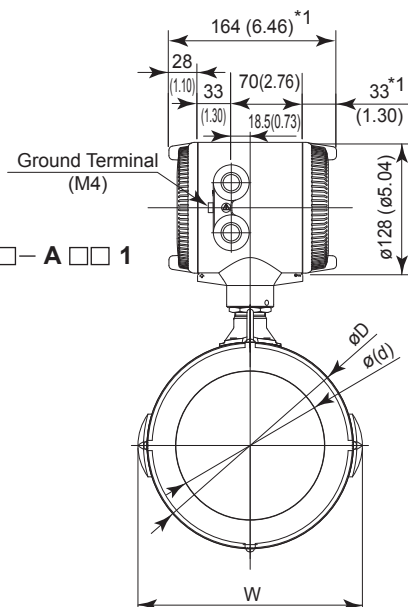
Drawings

AXR150, AXR200 Two-wire Magnetic Flowmeter Integral Flowmeter Lay Length Code 1 (Wafer)



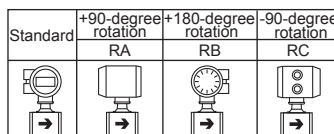
Unit: mm (approx. inch)

AXR150 G □ 1 A □ 1 □ - A □ □ 1
AXR200 C



Size code		150	200
Size		150 (6)	200 (8)
Lining code		A	A
Face-to-face length	L*2	200 (7.87)	250 (9.84)
	Outside dia.	øD 202 (7.95)	252 (9.92)
Inter diameter of Grounding ring	ød	146.1 (5.75)	193.6 (7.62)
Width	W	220 (8.66)	272 (10.71)
	Height	H1 243 (9.57)	293 (11.54)
Max. Height	Hi	405 (15.93)	455 (17.89)
	Weight kg (lb)	15.9 (35.1)	23.5 (51.8)

* When option code RA, RB, or RC is selected, the direction of electrical connection change as below.



*1: When indicator code N is selected, subtract 5 mm (0.2 inch) from the value in the figure.
*2: Depending on the selection of grounding ring code and optional code, add the following value to "L" (face-to-face length).

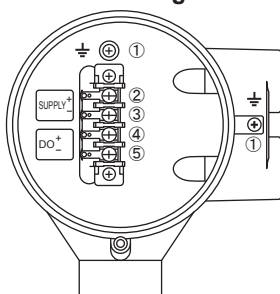
Grounding Ring Code	None	S, L, H	P, T	N
	GA, GC, GD (Special Gaskets)	+10 (0.39)	+32 (1.26)	+38 (1.5)

General-purpose Use/Explosion Proof Type except TIIS
/TIIS Explosion Proof Type (Style:S1):

TIIS Explosion Proof Type (Style:S2):

Terminal configuration

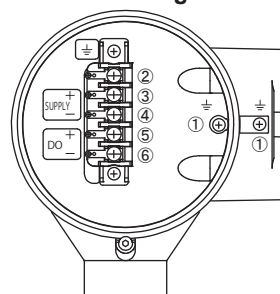
Terminal wiring



No.	Terminal Symbols	Description
①	⏏	Functional grounding
②	SUPPLY+	Power supply and current output
③	SUPPLY-	
④	DO+	Digital output (One output can be selected from pulse, alarm or status outputs.)
⑤	DO-	

Terminal configuration

Terminal wiring



No.	Terminal Symbols	Description
①	⏏	Functional grounding
②	⏏	Class A grounding
③	SUPPLY+	Power supply and current output
④	SUPPLY-	
⑤	DO+	Digital output (One output can be selected from pulse, alarm or status outputs.)
⑥	DO-	

Unless otherwise specified, difference in the dimensions are specified as : General tolerance = ± (Criteria of tolerance class IT18 in JIS B0401) / 2